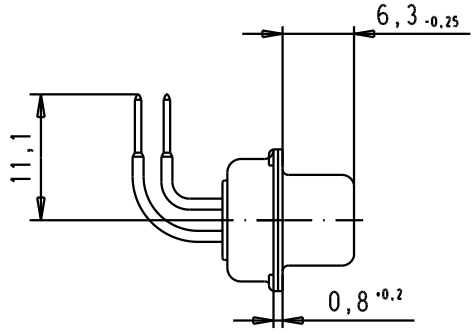
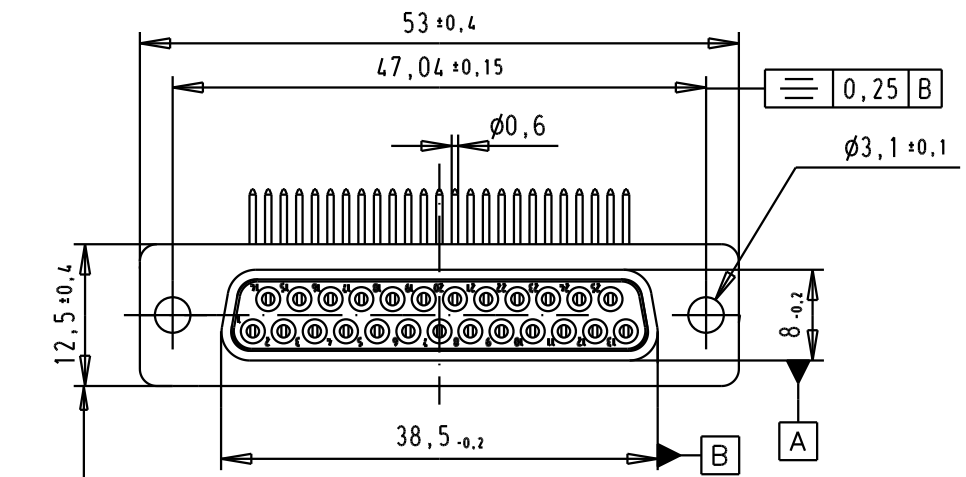


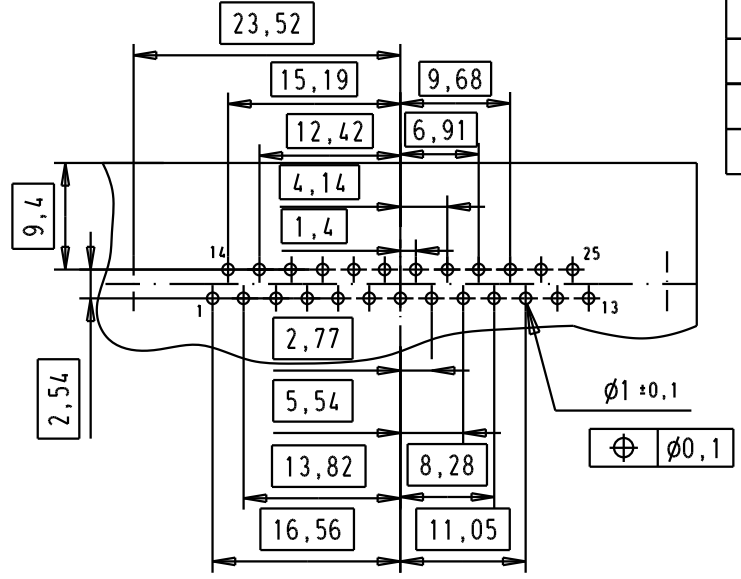
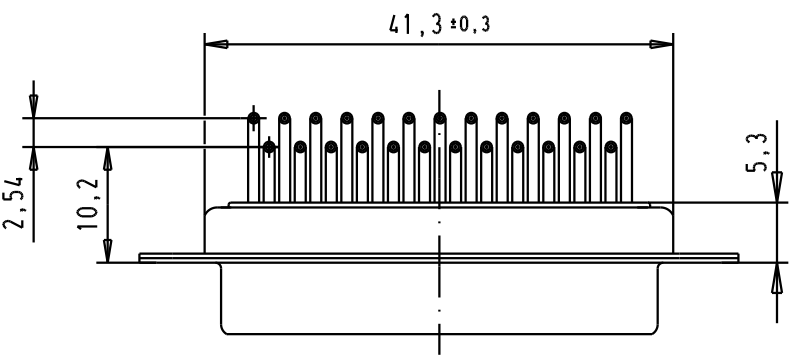
SPECIFICATION

Mating Cycles	500
Filter type	C
Capacitance	3900pf ± 20%
Working Voltage	100v
Current Rating	7.5A
Insulation Resistance	>1GΩ

FREQUENCY (MHz)	ATTENUATION (dB)
5	6dB
10	11dB
50	25dB
100	35dB
500	35dB
1000	32dB



PCB Layout, Component side



						<p>All Dim. in mm Orig. Size DIN A 4</p>
			Detail.	8-JUL-02	CV	
			Insp.			
			Stand.			
33416	19/01/06	JMDR				
31058	8-JUL-02	CV				
Mod.	Dat.	Name				
			HARTING EURL F-95972 Paris			

D-Sub, female, angled, 25 Poles, turned solder pin, tin plated shell and holes		Ma?Ms Lab/ Scale 1.5:1
TB 09643147240		Blat/ Page 1 / 1
Sub.		