



MADE
IN THE **USA**

Product Description:

- Safety Station Dispenser
- Holds two small boxes of eye cleaning wipes, one bottle of lens cleaning solution, and ear plugs in bulk
- Keyholes for wall mounting, can sit on counter, or mount to a floor stand
- Quartz Beige ABS Plastic

Primary Area for Product Usage:

- Anywhere safety products are needed

Dispenses:

- Left: Bottles no larger than 4.13"W x 10.00"H x 4.13"D (10.5 cm x 25.4 cm x 10.5 cm)
- Middle: Box(es) no larger than 5.00"W x 10.00"H x 4.49"D (12.7 cm x 25.4 cm x 11.4 cm)
- Right: Personal protection equipment in bulk, such as ear plugs or gloves

Package Specifications:

- Package Quantity: 1 per case
- 24"W x 16"H x 6"D (61.0 cm x 40.6 cm x 15.2 cm)
- 4.0 lbs (1.8 kg) - approximated

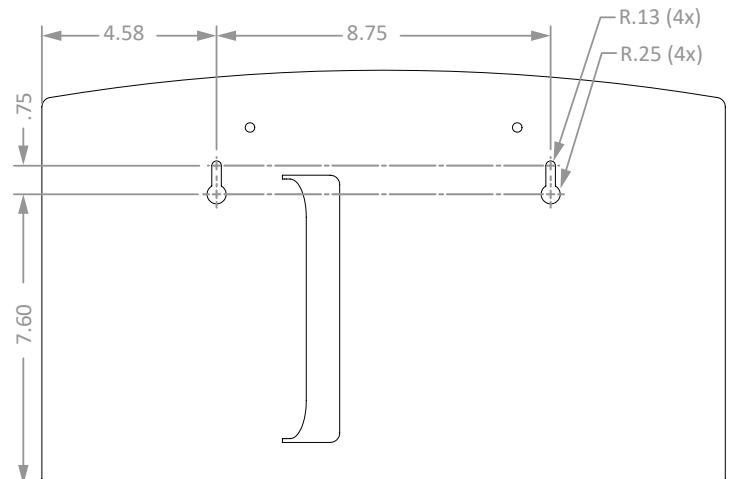
Product Specifications (overall external dimensions):

- 17.90"W x 10.85"H x 5.37"D (45.5 cm x 27.6 cm x 13.6 cm)
- 2.3 lbs (1.0 kg) - approximated

Mounting Specifications:

Accessories (each sold separately):

- Sign holders MP-070, MP-075
- Kiosk stands KS010 (shown below), KS201

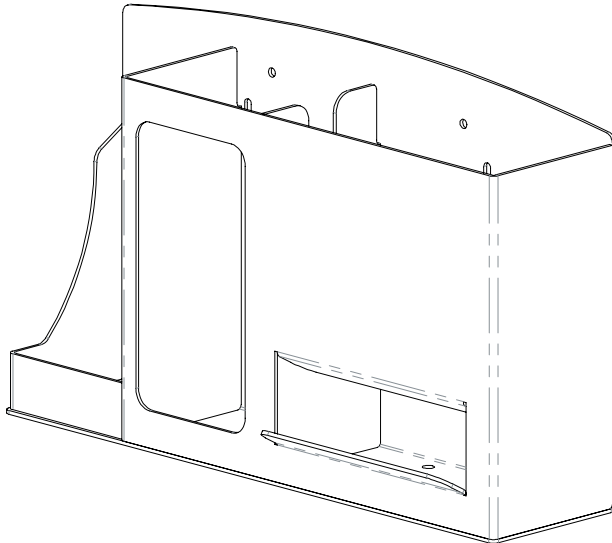




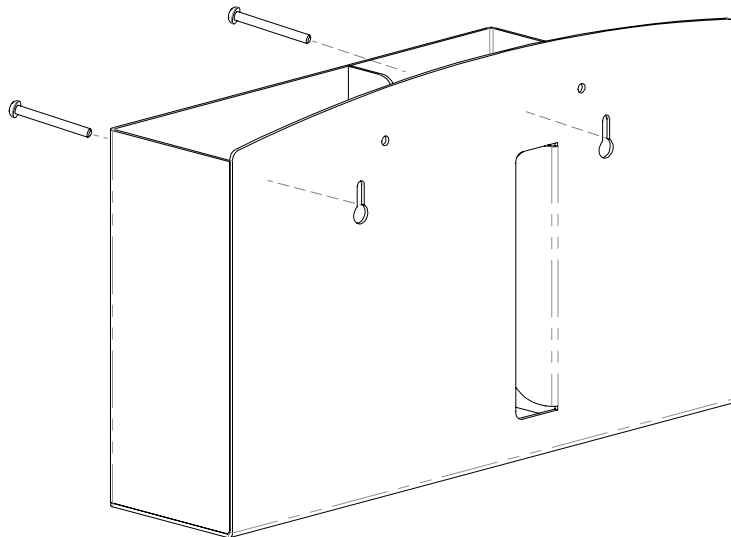
Installation

Always mount dispensers securely *prior* to loading with product.

- Opposing flanges keep earplugs inside and limit loss caused by over-dispensing.



- Mount securely to a wall with screws approved and supplied by building maintenance.



Parts included:

- Dispenser

Tools Required:

- No tools required to assemble dispenser

Care and Construction

ABS Plastic

Material Characteristics

Designed for Long-Term, Heavy-Duty Applications

The combination of copolymers (Acrylonitrile, Butadiene, and Styrene) gives ABS an excellent combination of strength, rigidity, and toughness. The fauxwood finish is ARVINYL laminate created from a semi-rigid film.

ABS is chemical and stress-crack resistant. It is tough, dimensionally stable, and will hold up to long-term use. To ensure product longevity, fauxwood products should not be mounted in very hot or cold areas.

Care and Cleaning

Use mild soap and water to clean. Petroleum-based oils, solvents, and paints should not be used.

Standard hospital cleaning supplies are approved for use on our ABS plastic products.