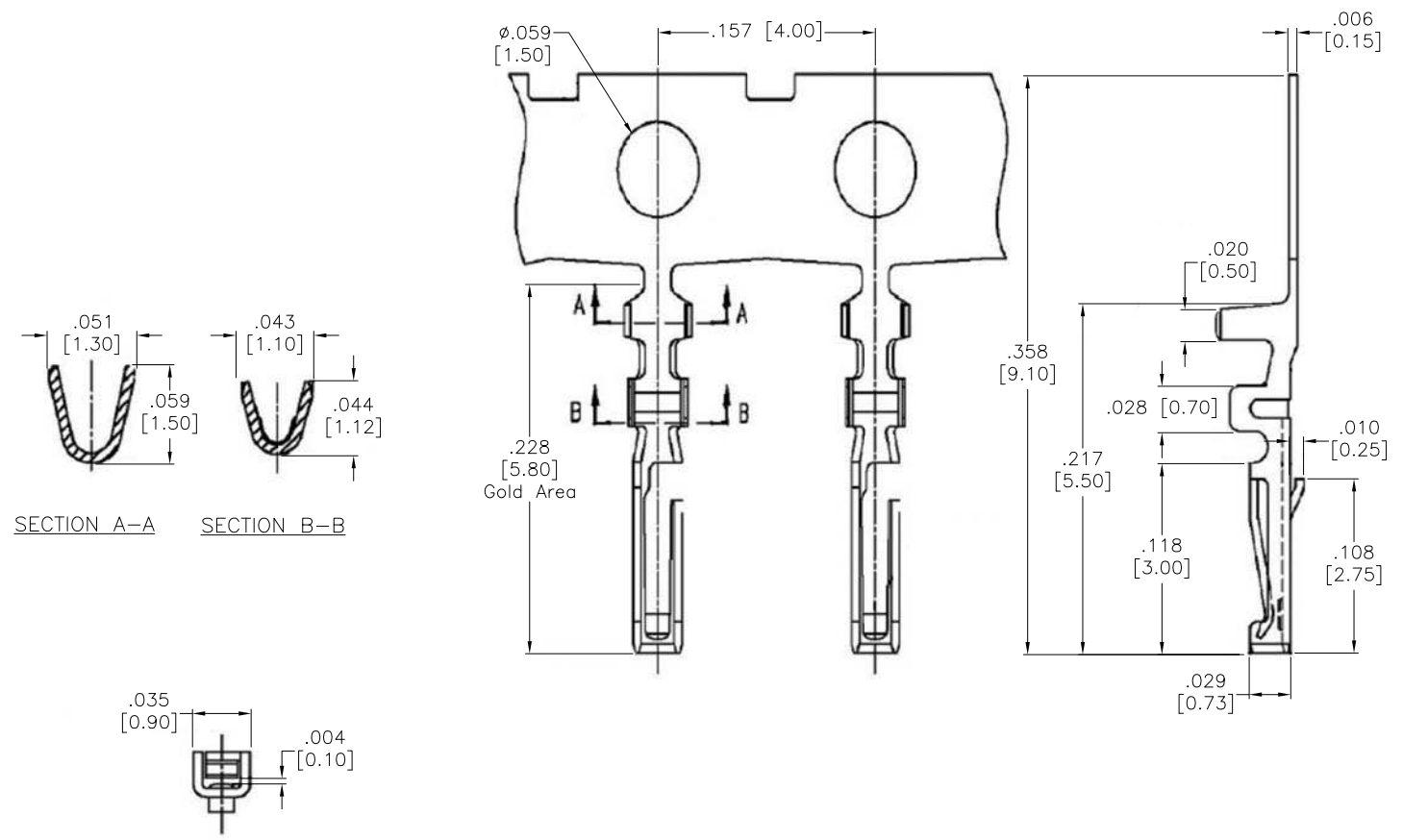


APPROVED: _____
 DATE: _____ TITLE: _____

| Rev | AWO # | Description | Date | Appr |
|-----|-------|----------------|---------|-------|
| - | | RELEASED | 2/2/18 | |
| A | | UPDATE DRAWING | 9/23/19 | LH/RC |



SPECIFICATIONS:
 Material: Phospher Bronze, T=0.15mm
 Plating: Gold Plated
 Mechanical:
 Wire Range: 28-32 AWG.
 Environmental:
 Lead free, RoHS compliant.



UNLESS OTHERWISE SPECIFIED
 ALL DIMENSIONS ARE INCHES [MM]
 TOLERANCES: EXCEPT AS NOTED

| INCHES | | HOLES | |
|--------|--------|-------|--------|
| .X | ± .10 | Ø.X | ± .10 |
| .XX | ± .020 | Ø.XX | ± .015 |
| .XXX | ± .015 | Ø.XXX | ± .010 |

| APPROVALS | | DATE |
|-----------|----|--------|
| DRAWN | AY | 2/2/18 |
| CHECKED | RC | 2/2/18 |
| APPROVED | | |

ADAM TECH
 INTERCONNECTS
 909 Rahway Avenue,
 Union, NJ 07083
 Phone: 908-687-5000
 Fax: 908-687-5710

| | | | |
|-------|--------------|--|-----|
| TITLE | | 1.25mm TERMINAL FOR 125CH-G CRIMP HOUSING | |
| SIZE | PART NO. | REV. | |
| X | 125CTG-B-G-R | A | |
| REF: | S00123T | SCALE: | NTS |
| | | SHEET 1 OF 1 | |