

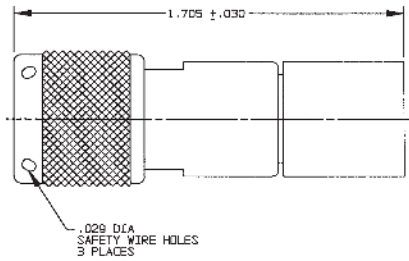
# RED INDICATES ORIGINAL

REVISIONS		310-0049	SH LC1
REV	ED	DESCRIPTION	UNW
1	3/20/00	UPDATED TABLE 2; SFF FCIT	CKC
2			
3			
4			
5			
6			
7			
8			
9			
10			
11			
12			
13			
14			
15			
16			
17			

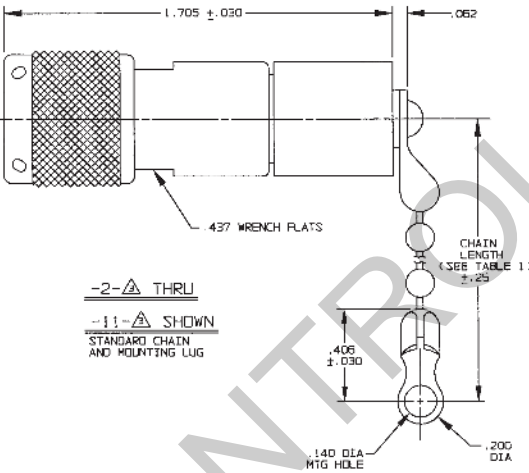
DASH NO	DESCRIPTION
-1	TERM (NO CHAIN)
-2	TERM WITH 2.50 BRASS CHAIN
-3	TERM WITH 2.50 NYLON CHAIN
-4	TERM WITH 3.00 BRASS CHAIN
-5	TERM WITH 3.00 NYLON CHAIN
-6	TERM WITH 6.00 BRASS CHAIN
-7	TERM WITH 6.00 NYLON CHAIN
-8	TERM WITH 4.00 BRASS CHAIN
-9	TERM WITH 4.00 NYLON CHAIN
-10	TERM WITH 10.00 BRASS CHAIN
-11	TERM WITH 10.00 NYLON CHAIN
-12	TERM WITH 2.50 JACKETED SST ROPE
-13	TERM WITH 3.00 JACKETED SST ROPE
-14	TERM WITH 6.00 JACKETED SST ROPE
-15	TERM WITH 4.00 JACKETED SST ROPE
-16	TERM WITH 7.00 JACKETED SST ROPE
-17	TERM WITH 4.50 JACKETED SST ROPE

DASH NO	A" DIA	B" DIA	C" DIA	D" DIA
-01	.795	.875	1.191	.513
-02	.630	.750	1.066	.450
-03	.505	.625	.941	.388
-04	.438	.562	.878	.356
-05	.360	.500	.816	.325
-06	.317	.437	.753	.294
-07	.281	.406	.722	.270
-08	.610	.750	1.006	.450
-09	.567	.687	1.003	.419
-10	.192	.312	.628	.241
-11	1.005	1.125	1.441	.638
-008	.330	.450	.766	.300

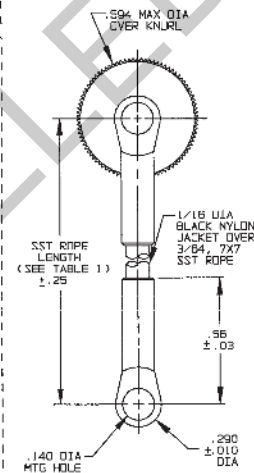
INCH	MM	INCH	MM	INCH	MM	INCH	MM	INCH	MM
.005	0.13	.290	7.37	.438	11.15	.638	16.21	1.066	27.06
.010	0.25	.294	7.47	.450	11.43	.687	17.45	1.125	28.58
.020	0.51	.300	7.62	.500	12.70	.722	18.34	1.191	30.25
.030	0.76	.312	7.92	.505	12.83	.750	19.05	1.441	36.60
.032	0.81	.317	8.05	.513	13.03	.753	19.13	1.705	43.31
.062	1.57	.325	8.25	.56	14.22	.755	19.18	2.50	63.50
.140	3.56	.330	8.38	.552	14.27	.758	19.48	3.00	76.20
.192	4.88	.356	9.04	.557	14.40	.818	20.73	4.00	101.60
.200	5.08	.360	9.15	.584	15.09	.875	22.23	4.50	114.30
.231	5.87	.368	9.35	.610	15.49	.878	22.30	6.00	152.40
.25	6.35	.406	10.31	.625	15.88	.941	23.90	7.00	177.80
.270	6.86	.419	10.64	.628	15.95	1.003	25.48	10.00	254.00
.281	7.14	.437	11.10	.630	16.00	1.005	25.53		



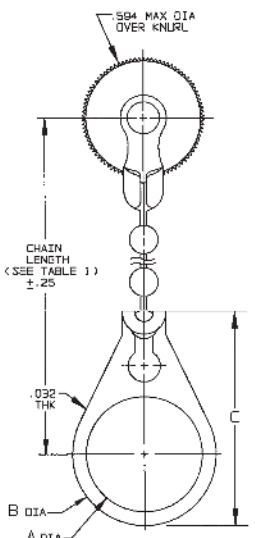
-1- **SHOWN**  
NT CHAIN/ROPE OR MOUNTING LUG



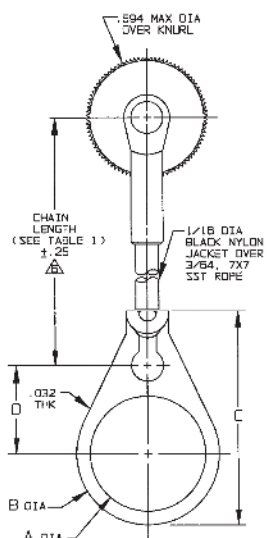
-2- **THRU**  
-11- **SHOWN**  
STANDARD CHAIN AND MOUNTING LUG



-12- **THRU**  
-17- **SHOWN**  
STAINLESS STEEL ROPE AND MOUNTING LUG



-2- **THRU**  
-1- **SHOWN**  
STANDARD CHAIN AND BULKHEAD JACK MOUNTING LUG



-12- **THRU**  
-17- **SHOWN**  
SST ROPE AND BULKHEAD JACK MOUNTING LUG

NOTE THAT CHAIN LENGTH FOR SST ROPE WITH MOUNTING OPTION IS NOT MEASURED TO CENTER OF BULKHEAD MOUNTING LUG

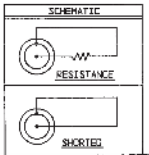
EXAMPLE OF COMPLETE MODEL NO:

BASIC MODEL NO:  
INT1 = W/O SAFETY WIRE HOLES  
INTS1 = W/SAFETY WIRE HOLES

CONCENTRIC TWINAX/TRIAX THREADED TERMINATION PLUG

RESISTANCE VALUE IN OHMS (1/2W, 1%)  
S = CENTER CONTACT SHORTED TO INTERMEDIATE CONTACT (NO RESISTOR)  
0 = NO RESISTOR, CONTACT NOT SHORTED, AND CONNECTOR IS SUPPLIED LOOSELY ASSEMBLED (CUSTOMER TO COMPLETE THE ASSEMBLY) NOTE: FOR SPECIAL RESISTOR VALUES, SEE CWG 315-0037

FINISH: 1FS-1A (NICKEL)  
ALL DIM ARE IN INCHES



QTY	DESCRIPTION	PART NUMBER	ITEM
1	UNLESS SPECIFIED BY REV. 2: 008	<b>TROMPETER</b> RF Connectivity	7N1/INTS1
DWG	DATE: 2-7-00	MATERIAL: 14949	DRAWING NO: 310-0049
CHK	DATE: 2/27/00	SCALE: 4/1	DATE: 9/4/98
APP	DATE: 2/27/00		SHEET: 1C