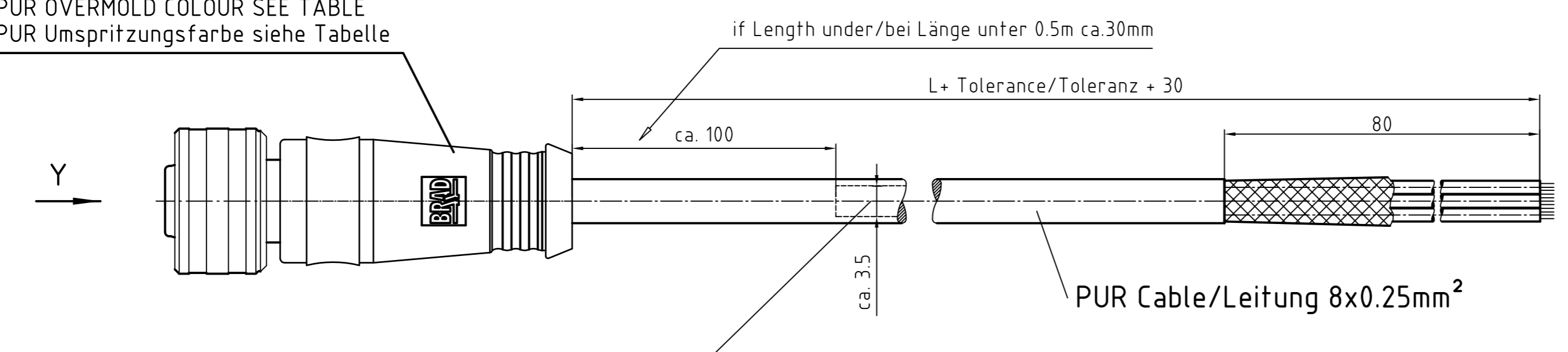
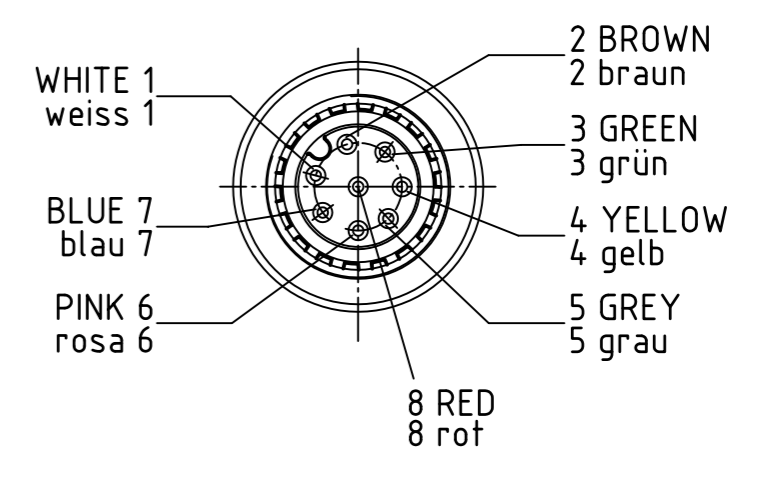


PUR OVERMOLD COLOUR SEE TABLE
PUR Umspritzungsfarbe siehe Tabelle



CABLE PRINTING:
Kabelbedruckung: Woodhead Connectivity GmbH "Engineering-Nr."

VIEW/Ansicht Y
FEMALE CABLE CONNECTOR/Kabeldose
8-Pol



X..
PROD. DATE AS DEFINED IN
Fertigungsdatum gemäß
WN 00001

(...) DIM FOR INFORMATION
(...) Informationsmaß

SAP-Nummer	Engineering-Nr.	Umspritzungsfarbe	Länge L	Toleranzen
SAP-Number	Engineering-No.	Overmold Colour	Length L	Tolerances
1200795029	W08S00P19M020	gelb / yellow	2M	± 25 mm
1200835124	W08S00P19M030	gelb / yellow	3M	
1202010042	W08S00P19M040	gelb / yellow	4M	
1200795030	W08S00P19M050	gelb / yellow	5M	
1200795031	W08S00P19M060	gelb / yellow	6M	± 30 mm
1200795032	W08S00P19M100	gelb / yellow	10M	
1200835137	W08S00P19M030G	schwarz / black	3M	± 25 mm
1200835138	W08S00P19M050G	schwarz / black	5M	
1200835151	W08S00P19M100G	schwarz / black	10M	± 30 mm

DESCRIPTION EC NO: WEU2010-0123 DRWN: BBRAUCH CHKD: RE APPR: REISSNER 9/25/09 2009/11/23 REV	QUALITY SYMBOLS	GENERAL TOLERANCES (UNLESS SPECIFIED)	DIMENSION STYLE	SCALE	DESIGN UNITS	FIRST ANGLE PROJECTION
	▼ = 0 ▽ = 0	mm INCH 4 PLACES ±---- ±---- 3 PLACES ±---- ±---- 2 PLACES ±0.05 ±---- 1 PLACE ±0.1 ±---- ANGULAR ± ---- °	MM	2:1	METRIC	
	DRAFT WHERE APPLICABLE MUST REMAIN WITHIN DIMENSIONS	DRAWN BY: BB DATE: 2009/09/25 CHECKED BY: RE DATE: 2009/10/01 APPROVED BY: REISSNER DATE: 2009/11/20 MATERIAL NO.	M12-AU-8P-FE-STR-8/25PURSH-XM ---- MOLEX INCORPORATED DOCUMENT NO. SD-120083-021 SHEET NO. 1 OF 1			
	SIZE A2	THIS DRAWING CONTAINS INFORMATION THAT IS PROPRIETARY TO MOLEX INCORPORATED AND SHOULD NOT BE USED WITHOUT WRITTEN PERMISSION				