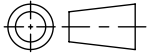
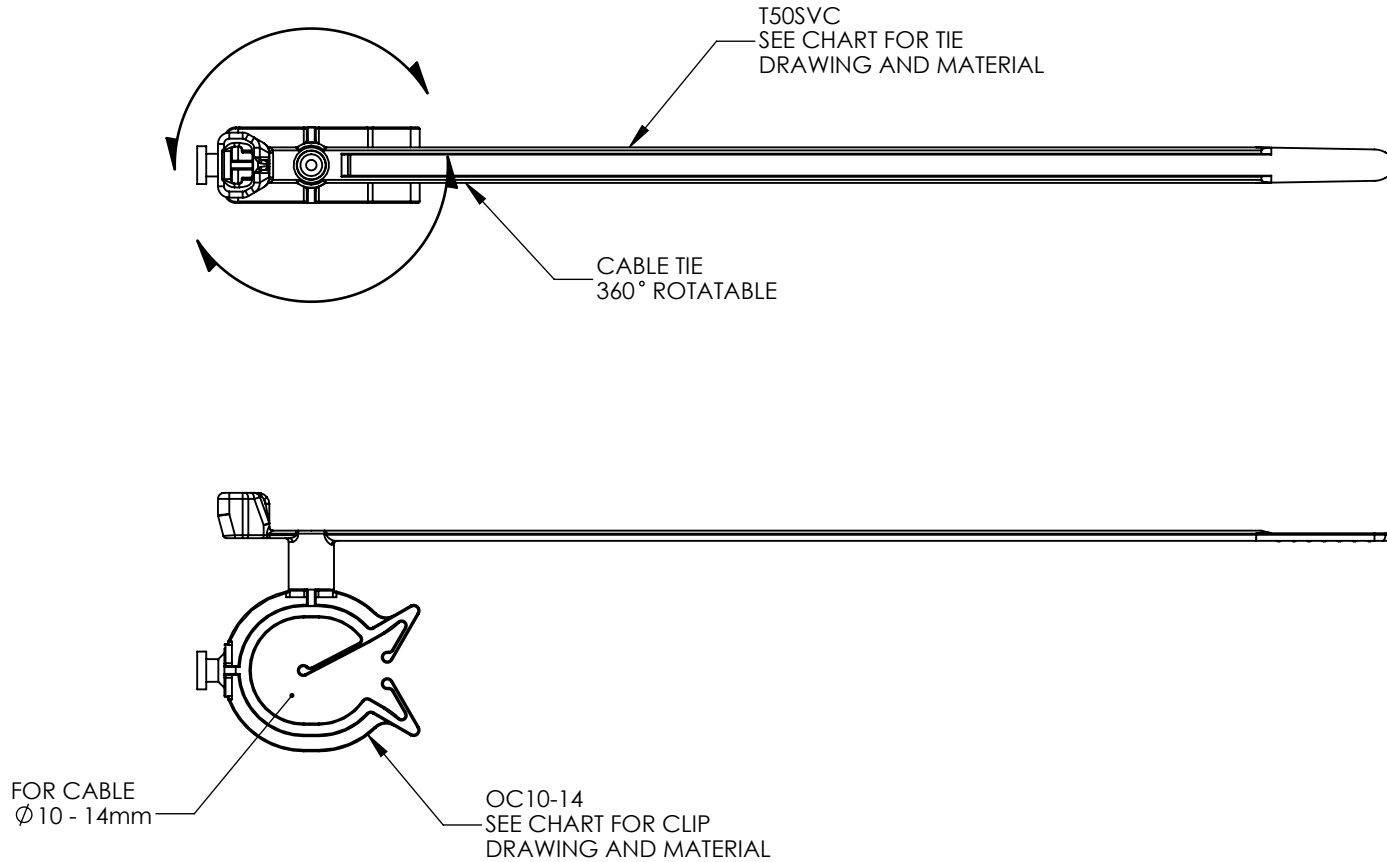


SW2011



Revision level			Revision Record	Changed	Date	Approved	Date
Drawing	State	Part					
06.2	Design Release	-	SEE ECN# 012883	AAC	10/24/14	KAC	10/24/14



TYPE	BUNDLE DIAMETER	CABLE TIE		CLIP	
		MATERIAL	DRAWING	MATERIAL	DRAWING
T50SVCOC10-14	2 to 35	PA66HS	14-0606-001-CSU	PA66IMHS	05-0044-002-CSU

Material
SEE CHART

Units: **millimeters**
 Dimension without tolerances details to:
 .xxx = ±.013
 .xx = ±.13
 .x = ±.3
 None = ±.8
 < = ±0.5°
 Dimension Formatted mm/[in]

The copyright of this drawing is reserved by HellermannTyton. It is issued on condition that it is not reproduced, copied, or disclosed to a third party, either wholly or in part, without the consent of HellermannTyton.

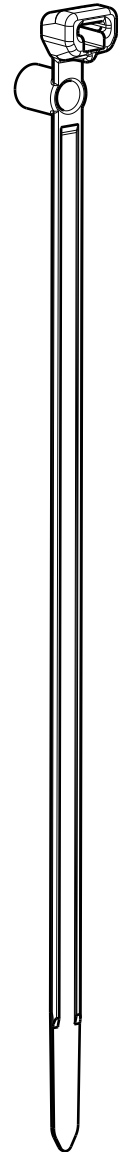
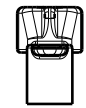
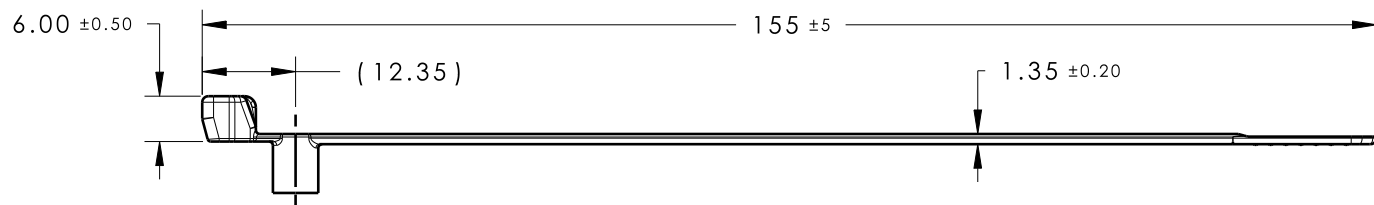
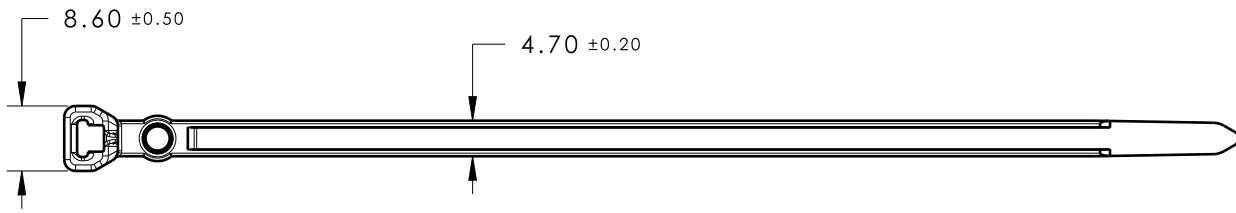
Drawn AAC 10/24/14
 Approved KAC 10/24/14

HellermannTyton
 North America
 Email: corp@htamericas.com
 Web: www.hellermann.tyton.com

Article/Type-No T50SVCOC10-14
 Title **T50SVCOC10-14 T50SVC CABLE TIE WITH OMEGA CLIP 10-14**
 Drawing-No Production : Phase
05-0044-004-CSU

Scale 1:1
 Project Number PRP 05-044
 Format AH
 Sheet 1/1

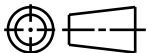
Revision Level			Revision Record	Changed	Date	Approved	Date
Drawing	State	Part					
00.1	Design Release	B	SEE ECN# 012925	CJR	2/10/15	SJA	2/10/15



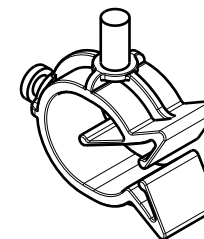
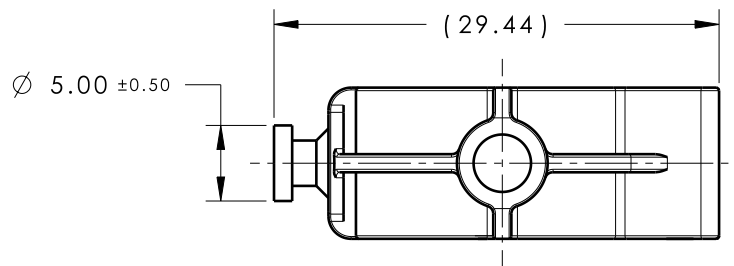
REFERENCE:
 PERFORMANCE REQUIREMENTS:
 1. CABLE TIE MIN LOOP TENSILE STRENGTH: 225 NEWTONS (50 LBS)
 2. BUNDLE RANGE: 2.0mm TO 35mm

Material PA66HS COLOR: BLACK	Units millimeters	The copyright of this drawing is reserved by HellermannTyton. It is issued on condition that it is not reproduced, copied or disclosed to a third party, either wholly or in part, without the consent of HellermannTyton.	Drawn CJR 2/10/15	Article/Type-No T50SVC	Scale 1:1	
	Tolerance defined on each dimension		Approved SJA 2/10/15	Title T50SVC - SWIVEL CABLE TIE	Project Number 14-0606	
			HellermannTyton North America Email: corp@htamericas.com Web: www.hellermann.tyton.com		Drawing-No PRODUCTION : Phase	Format AH
					14-0606-001-CSU	Sheet 1/1

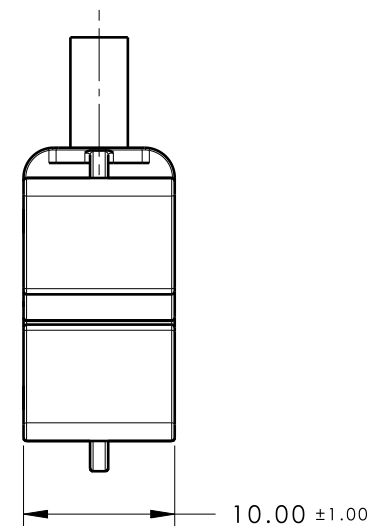
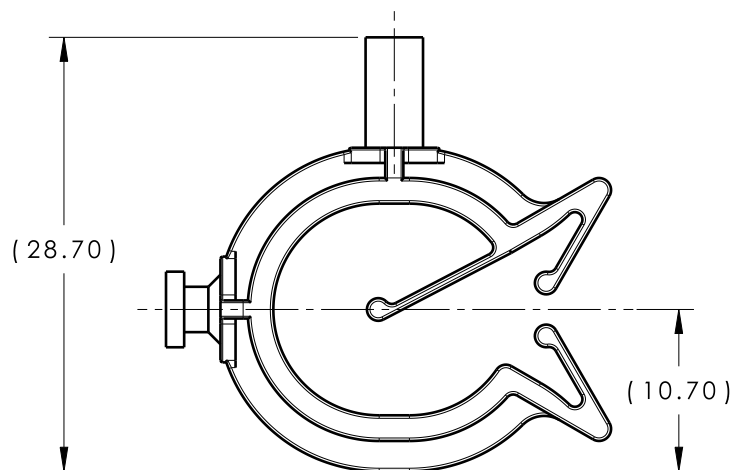
CATIA V5



Revision Level		Revision Record	Changed	Date	Approved	Date
Drawing	Part					
00	A	SEE ECN# 012334	KVH	4/4/13	MHT	4/4/13



ISOMETRIC VIEW
SCALE 1:1



REFERENCE:
1. BUNDLE RANGE: 10.0mm TO 14.0mm

Material PA66HS COLOR: BLACK	Units millimeters Tolerance defined on each dimension	The copyright of this drawing is reserved by HellermannTyton. It is issued on condition that it is not reproduced, copied or disclosed to a third party, either wholly or in part, without the consent of HellermannTyton.	Drawn	KVH	4/4/13	Article/Type-No	OC10-14	Scale	2:1	
			Approved	MHT	4/4/13	Title	RETAINER 10-14 SVC	Project Number	NT-044-05	
			HellermannTyton North America Email: corp@htamericas.com Web: www.hellermann.tyton.com			Drawing-No	PRODUCTION : Phase		Format	AH
						05-0044-002-CSU			Sheet	1/1

Product Number
Cross Reference Record

Uncontrolled Document

Type Number	UNS Universal Number System	Customer Part Number	Color
T50SVCOC1014	156-01337		BLACK

Issued By:

Reference Drawing Number:

Issue Date:

05-004-004-CSU

March 10, 2016