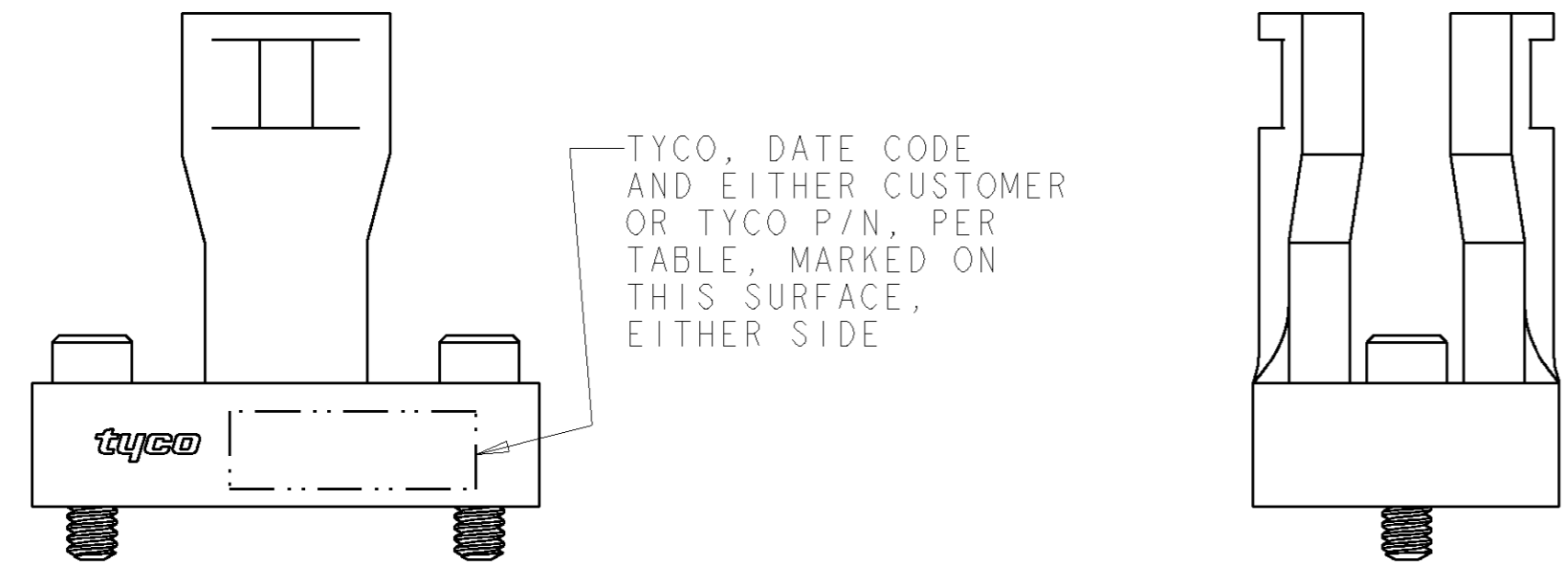
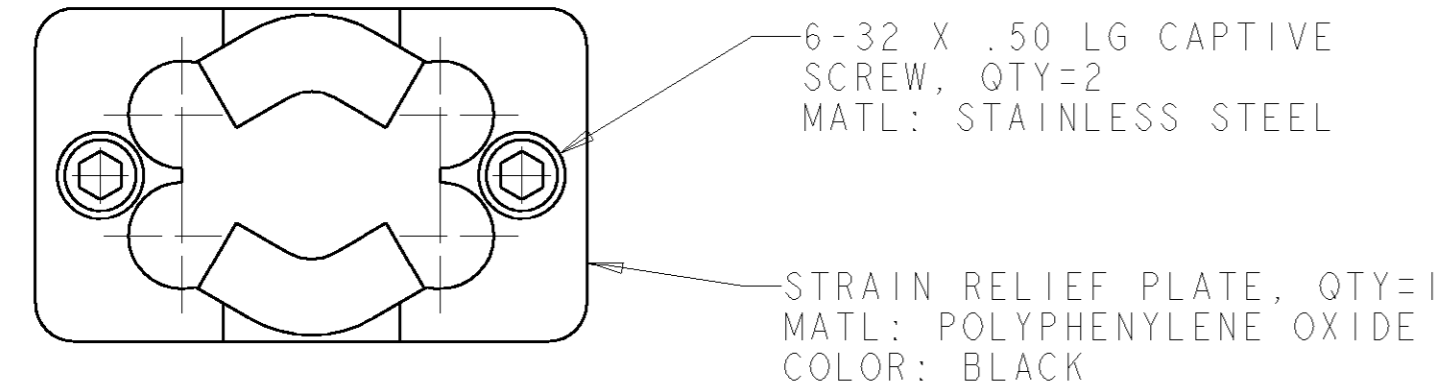
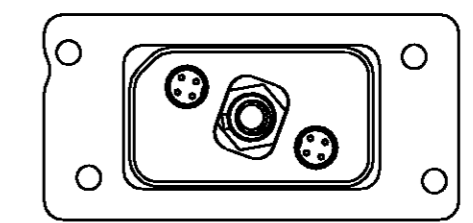
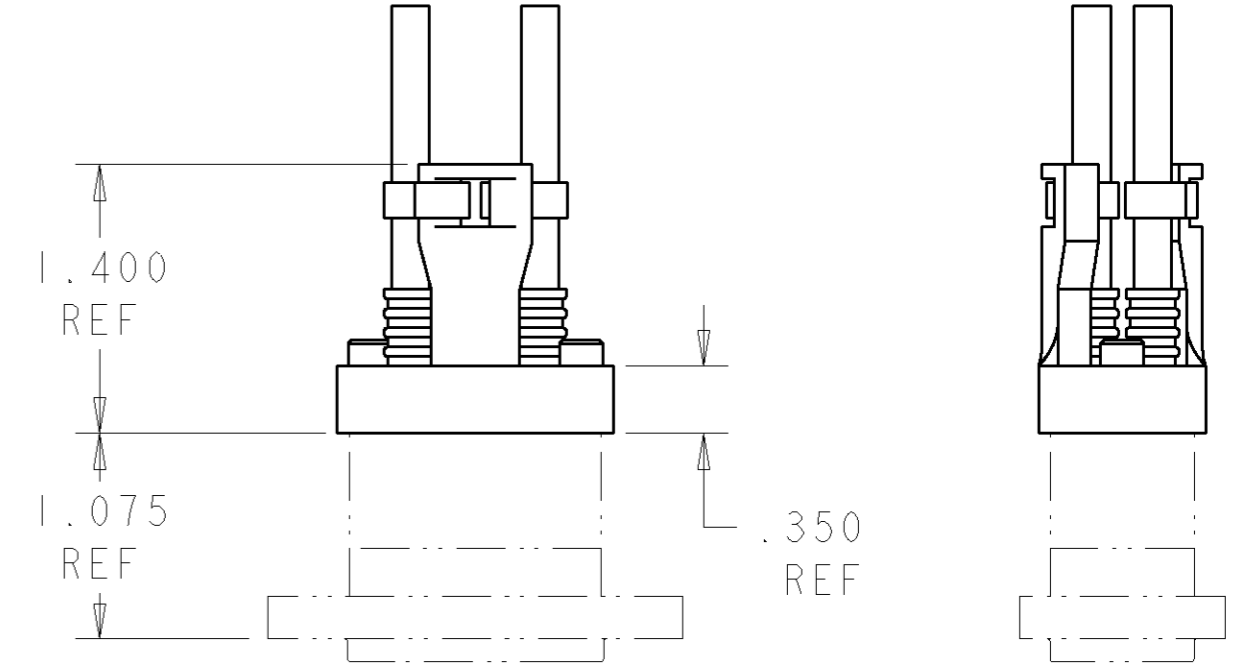
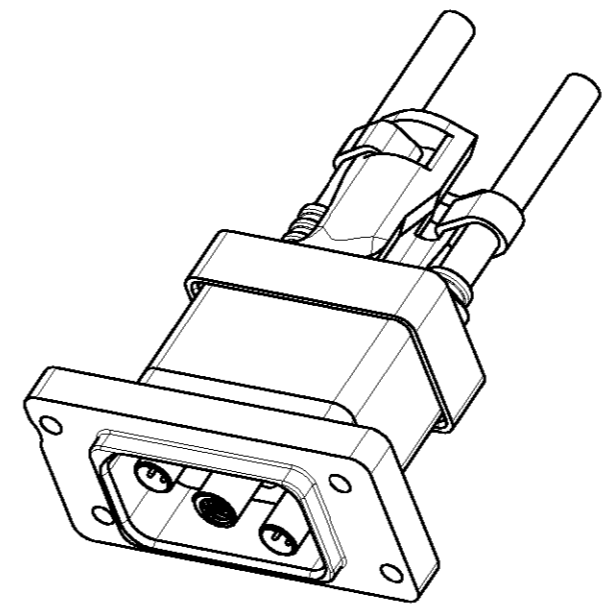
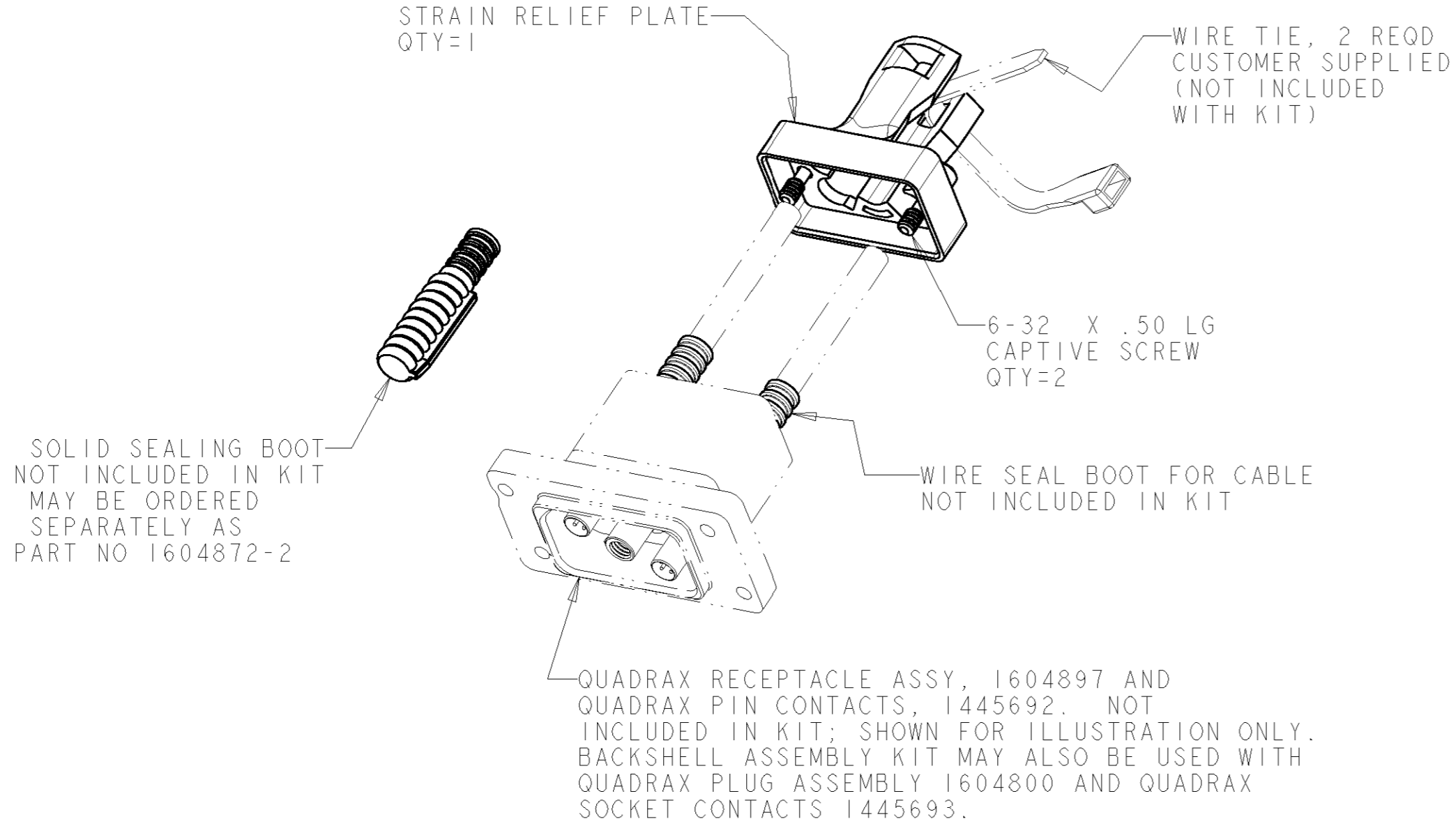


THIS DRAWING IS UNPUBLISHED. RELEASED FOR PUBLICATION 20
 © COPYRIGHT 20 BY TYCO ELECTRONICS CORPORATION. ALL RIGHTS RESERVED.

LOC	DIST	REVISIONS					
DF	A5	P	LTR	DESCRIPTION	DATE	DWN	APVD
		0		RELEASED PER 0H14-0311-05	02MAY05	BW	RW



1604905-1 AND -2 KIT

BACC10MD1	---	RECEPTACLE 1604897 -OR- PLUG 1604898	1604905-2
---	1604905-1	RECEPTACLE 1604897 -OR- PLUG 1604898	1604905-1
MARKED BOEING PART NUMBER	MARKED TYCO PART NUMBER	USED ON	ASSEMBLY PART NO

<small>THIS DRAWING IS A CONTROLLED DOCUMENT FOR TYCO ELECTRONICS CORPORATION IT IS SUBJECT TO CHANGE AND THE CONTROLLING ENGINEERING ORGANIZATION SHOULD BE CONTACTED FOR THE LATEST REVISION.</small>		DWN B. H. 10JUN03 CHK W. H. BERNHART 10JUN03 APVD W. H. BERNHART 10JUN03	tyco Tyco Electronics Harrisburg, PA 17105-3608
DIMENSIONS: IN 		PRODUCT SPEC - APPLICATION SPEC - WEIGHT -	NAME KIT, BACKSHELL, QUADRAX, 2 POSN SIZE A2 CAGE CODE 00779 DRAWING NO 1604905 RESTRICTED TO -
TOLERANCES UNLESS OTHERWISE SPECIFIED: 0 PLC ±. 1 PLC ±.1 2 PLC ±.01 3 PLC ±.005 4 PLC ±.0020 ANGLES ±. FINISH		CUSTOMER DRAWING	SCALE 2:1 SHEET 1 OF 1 REV 0