

**NOTES:**

1. THIS LIGHT PIPE ASSEMBLY TO BE USED WITH THE FOLLOWING 1X2 GANGED CAGE ASSEMBLIES:

747220001 - 1X2 GANGED CAGE ASSEMBLY W/ PRESS FIT LEGS (REFER TO DOCUMENT SD-74722-001 FOR CAGE DETAILS)

2. IT IS RECOMMENDED THAT THE CAGE ASSEMBLY BE PRESSED INTO THE PCB PRIOR TO ASSEMBLING THE LIGHT PIPE ASSEMBLY.

3. LED'S TO HAVE A MAXIMUM HEIGHT OF 1.4mm AND A MINIMUM HEIGHT 0.7mm.

4. RECOMMENDED LED'S INCLUDE THE FOLLOWING MANUFACTURERS:

- DIALIGHT: 597-77x1-5xx SERIES
- CHICAGO MINIATURE: 7016 SERIES
- KINGBRIGHT: APBL3025 SERIES (BICOLOR)
- APL3015 SERIES (SINGLE COLOR)

5. MATERIAL:

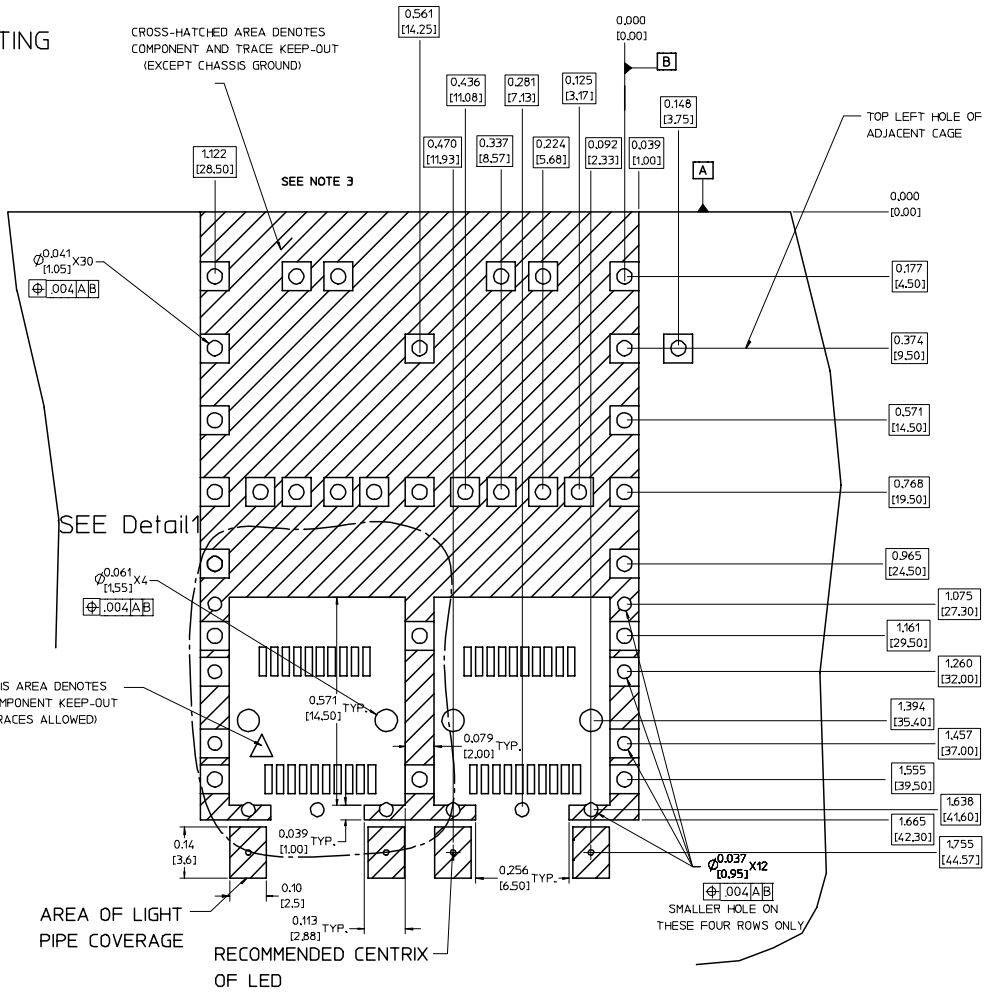
- SHEET METAL COVER: COPPER ALLOY
- LIGHT PIPE: UL94-V2 RATED PLASTIC

6. THIS PART MEETS THE RESTRICTION OF HAZARDOUS SUBSTANCES IN ELECTRICAL AND ELECTRONIC EQUIPMENT (ROHS) DIRECTIVE (2002/95/EC).

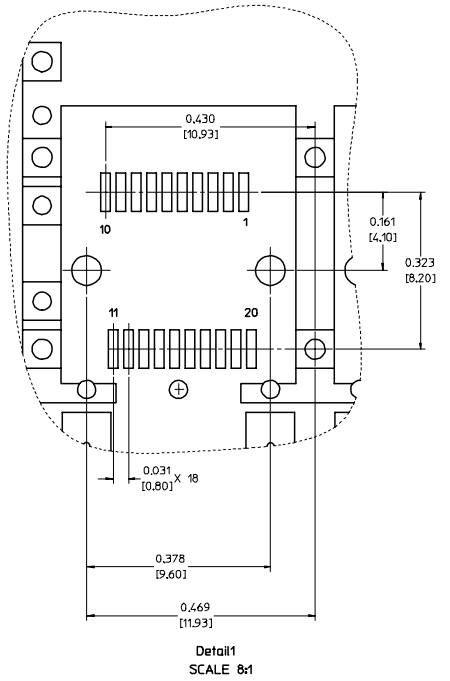
<b>ENTER DESCRIPTION</b> EC NO: USY2008-0195 DRAWN BY: DRWNGHRSRHY 2007/10/22 CHECKED BY: CHKCRWHRMDD 2007/11/01 APPROVED BY: APPRBRWHRMDD 2007/11/01 DESCRIPTION	QUALITY SYMBOLS	GENERAL TOLERANCES (UNLESS SPECIFIED)	DIMENSION STYLE	SCALE	DESIGN UNITS	THIRD ANGLE PROJECTION																	
	$\nabla=0$ $\nabla=0$	<table border="1"> <tr> <th></th> <th>mm</th> <th>INCH</th> </tr> <tr> <td>4 PLACES</td> <td>± .13</td> <td>± .005</td> </tr> <tr> <td>3 PLACES</td> <td>± .13</td> <td>± .01</td> </tr> <tr> <td>2 PLACES</td> <td>± 0.25</td> <td>± .01</td> </tr> <tr> <td>1 PLACE</td> <td>± 0.25</td> <td>± .01</td> </tr> <tr> <td>ANGULAR</td> <td colspan="2">± 1 °</td> </tr> </table>		mm	INCH	4 PLACES	± .13	± .005	3 PLACES	± .13	± .01	2 PLACES	± 0.25	± .01	1 PLACE	± 0.25	± .01	ANGULAR	± 1 °		IN/MM 4:1	METRIC	
		mm	INCH																				
	4 PLACES	± .13	± .005																				
3 PLACES	± .13	± .01																					
2 PLACES	± 0.25	± .01																					
1 PLACE	± 0.25	± .01																					
ANGULAR	± 1 °																						
DRAFT WHERE APPLICABLE MUST REMAIN WITHIN DIMENSIONS	DRAWN BY: KS IMONSO CHECKED BY: BRUSSELL APPROVED BY: BRUSSELL	DATE: 2004/07/08 DATE: 2004/07/08 DATE: 2004/07/08	TITLE: 1X2 SFP LIGHT PIPE ASSEMBLY, BACK-TOP	MATERIAL NO.: 747270001 DOCUMENT NO.: SD-74727-001	SHEET NO.: 1 OF 5																		
THIS DRAWING CONTAINS INFORMATION THAT IS PROPRIETARY TO MOLEX INCORPORATED AND SHOULD NOT BE USED WITHOUT WRITTEN PERMISSION																							

# PCB LAYOUT FOR BELLY TO BELLY MOUNTING

CROSS-HATCHED AREA DENOTES  
COMPONENT AND TRACE KEEP-OUT  
(EXCEPT CHASSIS GROUND)



## HOST CONNECTOR DETAIL



Detail1  
SCALE 8:1

**NOTES:**

1. PADS AND VIAS GO TO CHASSIS GROUND.
2. CAGE MOUNTING THRU HOLES (34 PLACES) TO BE PLATED.
3. HOLE PATTERN REPEATS FOR EACH PORT, SPACING BETWEEN PORTS IS .561 [14.25].

<b>ENTER DESCRIPTION</b> EC NO: UST2008-095 DRAWN BY: DRWINHRSBY 2007/10/22 CHECKED BY: CHKCRWHRD 2007/11/01 APPROVED BY: APPR:BRWHRD 2007/11/01 REV: DESCRIPTION	QUALITY SYMBOLS	GENERAL TOLERANCES (UNLESS SPECIFIED)	DIMENSION STYLE	SCALE	DESIGN UNITS	THIRD ANGLE PROJECTION	
	$\nabla=0$ $\nabla=0$	mm INCH 4 PLACES ± --- ± --- 3 PLACES ± --- ± .005 2 PLACES ± 0.13 ± .01 1 PLACE ± 0.25 ± --- ANGULAR ± 1 °	IN/MM	6:1	METRIC		
			DRAWN BY: KS IMONSO CHECKED BY: BRUSSELL APPROVED BY: BRUSSELL	DATE: 2004/07/08 DATE: 2004/07/08 DATE: 2004/07/08		TITLE: 1X2 SFP LIGHT PIPE ASSEMBLY, BACK-TOP	
			MATERIAL NO: 747270001 DOCUMENT NO: SD-74727-001			MOLEX INCORPORATED	SHEET NO: 2 OF 5
DRAFT WHERE APPLICABLE MUST REMAIN WITHIN DIMENSIONS		THIS DRAWING CONTAINS INFORMATION THAT IS PROPRIETARY TO MOLEX INCORPORATED AND SHOULD NOT BE USED WITHOUT WRITTEN PERMISSION					

# PCB LAYOUT FOR SINGLE SIDE MOUNTING

CROSS-HATCHED AREA DENOTES  
COMPONENT AND TRACE KEEP-OUT  
(EXCEPT CHASSIS GROUND)

SEE NOTE 3

TOP LEFT HOLE  
OF ADJACENT CAGE

THIS AREA DENOTES  
COMPONENT KEEP-OUT  
(TRACES ALLOWED)

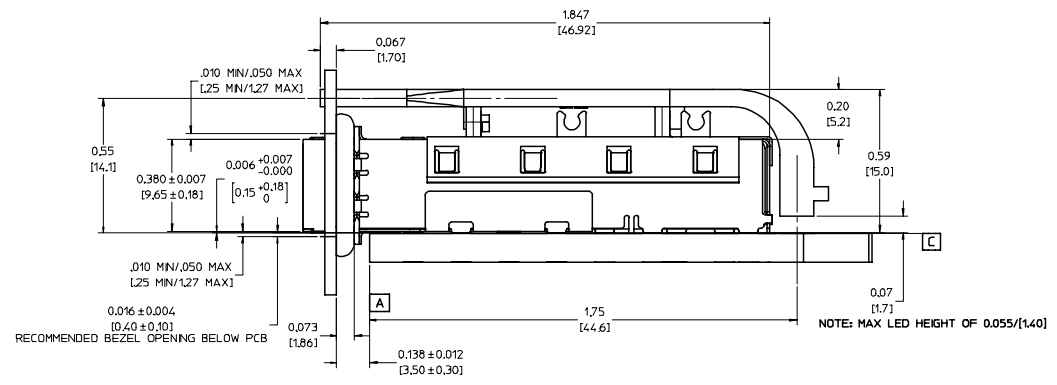
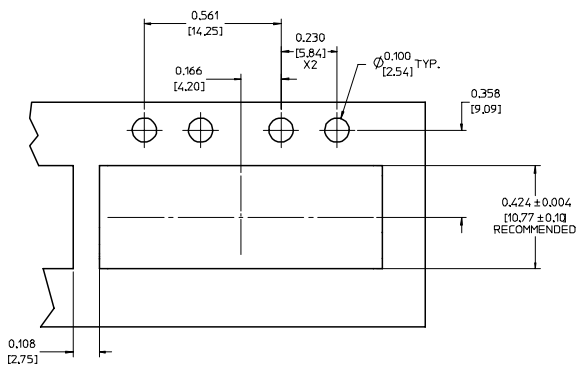
AREA OF LIGHT  
PIPE COVERAGE

RECOMMENDED CENTRIX  
OF LED

- NOTES:
1. PADS AND VIAS GO TO CHASSIS GROUND.
  2. CAGE MOUNTING THRU HOLES (19 PLACES) TO BE PLATED.
  3. HOLE PATTERN REPEATS FOR EACH PORT.  
SPACING BETWEEN PORTS IS .561 [14.25].

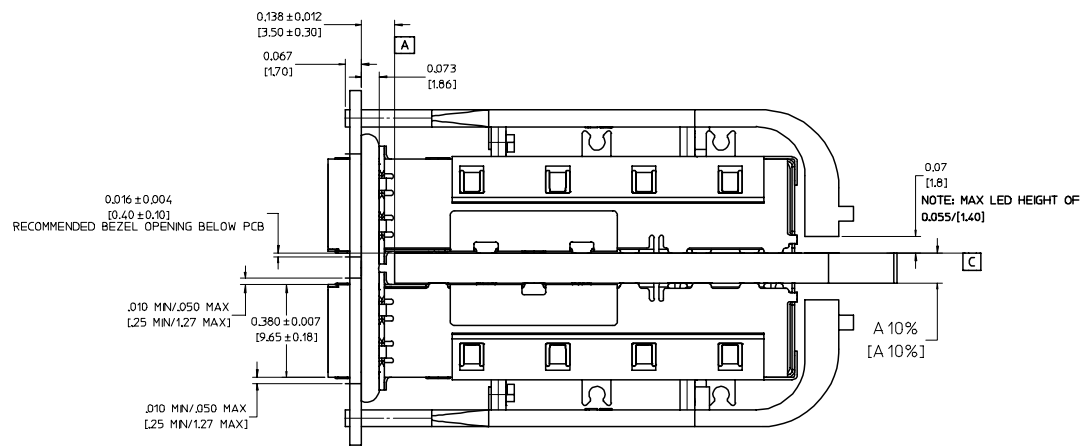
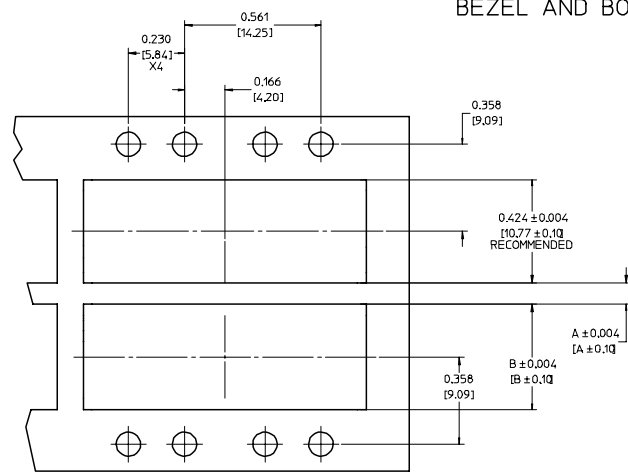
<b>ENTER DESCRIPTION</b> EC NO: UST2008-0095 DRAWN BY: DRWINCHIRSHY 2007/10/22 CHKDR: RAKHOOD 2007/11/01 APPR: RAKHOOD 2007/11/01 DESCRIPTION:	QUALITY SYMBOLS	GENERAL TOLERANCES (UNLESS SPECIFIED)	DIMENSION STYLE	SCALE	DESIGN UNITS	THIRD ANGLE PROJECTION
	▽=0 ▽=0	mm INCH 4 PLACES ± --- ± --- 3 PLACES ± --- ± .005 2 PLACES ± 0.13 ± .01 1 PLACE ± 0.25 ± --- ANGULAR ± 1 °	IN/MM DATE DRAWN BY: KS IMONSO 2004/07/08 CHECKED BY: BRUSSELL 2004/07/08 APPROVED BY: BRUSSELL 2004/07/08	6:1	METRIC	TITLE 1X2 SFP LIGHT PIPE ASSEMBLY, BACK-TOP
	DRAFT WHERE APPLICABLE MUST REMAIN WITHIN DIMENSIONS	MATERIAL NO: 747270001	DOCUMENT NO: SD-74727-001	MOLEX INCORPORATED		
	SIZE D	THIS DRAWING CONTAINS INFORMATION THAT IS PROPRIETARY TO MOLEX INCORPORATED AND SHOULD NOT BE USED WITHOUT WRITTEN PERMISSION		SHEET NO: 3 OF 5		

20 19 18 17 16 15 14 13 12 11 10 9 8 7 6 5 4 3 2 1



BEZEL AND BOARD POSITION DIMENSIONS FOR SINGLE SIDE MOUNTING

BEZEL AND BOARD POSITION DIMENSIONS FOR BELLY TO BELLY MOUNTING



NOTE: FOR A GIVEN BOARD THICKNESS (A), DIMENSIONS (B) AND (C) ARE DIRECTLY AFFECTED.

USE RECOMMENDED DIMENSIONS AND TOLERANCES TO AID IN DEVELOPING BEZEL OPENING.

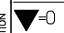
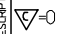

FOR EXAMPLE USING A BOARD THICKNESS OF .125" THE RECOMMENDED VALUES WOULD BE:

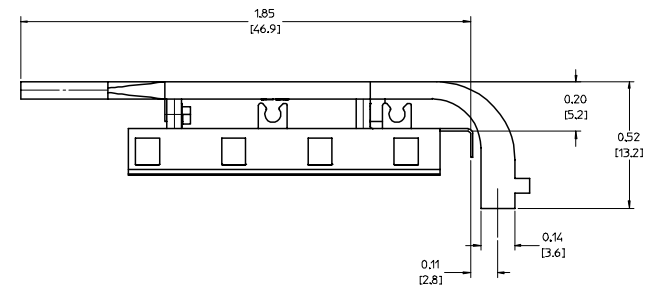
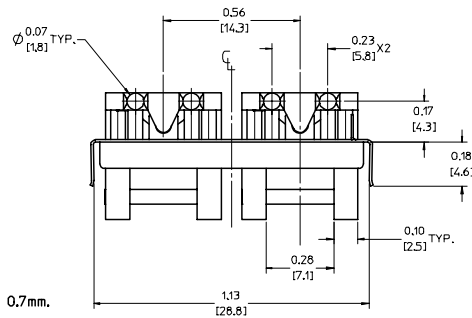
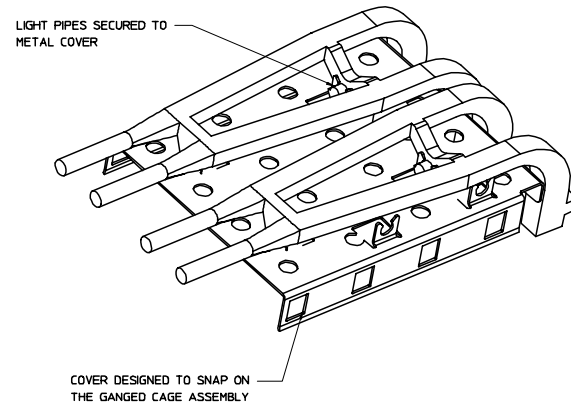
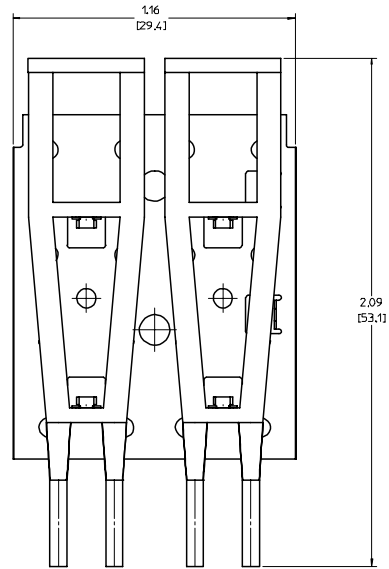
- A = .125/3.18 ± 10%
- B = .434/11.03 ± .004
- C = .088/2.23 ± .004

<b>ENTER DESCRIPTION</b> EC NO: UST2008-095 DRAWN BY: DRWINCHIRSHY 2007/10/22 CHECKED BY: CHIKORAHMOOD 2007/11/01 APPROVED BY: APRILRAHMOOD 2007/11/01	QUALITY SYMBOLS	GENERAL TOLERANCES (UNLESS SPECIFIED)	DIMENSION STYLE	SCALE	DESIGN UNITS	THIRD ANGLE PROJECTION	
	▽=0 ▽=0	4 PLACES ± --- ± --- 3 PLACES ± --- ± .005 2 PLACES ± 0.13 ± .01 1 PLACE ± 0.25 ± --- ANGULAR ± 1 °	IN/MM DATE DATE DATE	4:1	METRIC		
	DRAFT WHERE APPLICABLE MUST REMAIN WITHIN DIMENSIONS	MATERIAL NO: 747270001	DRAWN BY: KS IMONSO 2004/07/08 CHECKED BY: BRUSSELL 2004/07/08 APPROVED BY: BRUSSELL 2004/07/08	TITLE: 1X2 SFP LIGHT PIPE ASSEMBLY, BACK-TOP			
			MOLEX INCORPORATED				
			DOCUMENT NO: SD-74727-001			SHEET NO: 4 OF 5	
			THIS DRAWING CONTAINS INFORMATION THAT IS PROPRIETARY TO MOLEX INCORPORATED AND SHOULD NOT BE USED WITHOUT WRITTEN PERMISSION				

19 18 17 16 15 14 13 12 11 10 9 8 7 6 5 4 3 2 1

DATE	REV	CHANGES	COMMENTS
2003/12/09	1	PRELIMINARY DOCUMENT	N/A
2004/07/08	A	INITIAL RELEASE	N/A
2005/06/03	B	CORRECTED P/N FOR DIALIGHT LED. UPDATED DIMENSIONS.	DOCUMENT CHANGE ONLY
2005/06/10	C	UPDATED VIEWS TO SHOW CLEARANCE HOLES ADDED TO THE COVER.	N/A
2007/10/22	D	ADDED COMPONENT MATERIAL INFORMATION TO NOTES SECTION OF SHEET 1	DOCUMENT CHANGE ONLY

<b>ENTER DESCRIPTION</b> EC NO: USY2008-0195 DRAWN BY: DRWINCHIRSHY 2007/10/22 CHECKED BY: CHFKORAHMOOD 2007/11/01 APPROVED BY: APPR:RMAHMOOD 2007/11/01 REV DESCRIPTION	<b>QUALITY SYMBOLS</b>  = 0  = 0.05	<b>GENERAL TOLERANCES (UNLESS SPECIFIED)</b> <table border="1"> <thead> <tr> <th></th> <th>mm</th> <th>INCH</th> </tr> </thead> <tbody> <tr> <td>4 PLACES ±</td> <td>0.13</td> <td>±.005</td> </tr> <tr> <td>3 PLACES ±</td> <td>0.25</td> <td>±.01</td> </tr> <tr> <td>2 PLACES ±</td> <td>0.50</td> <td>±.02</td> </tr> <tr> <td>1 PLACE ±</td> <td>1.00</td> <td>±.05</td> </tr> <tr> <td>ANGULAR</td> <td colspan="2">± 1°</td> </tr> </tbody> </table>		mm	INCH	4 PLACES ±	0.13	±.005	3 PLACES ±	0.25	±.01	2 PLACES ±	0.50	±.02	1 PLACE ±	1.00	±.05	ANGULAR	± 1°		<b>DIMENSION STYLE</b> IN/MM DRAWN BY: KS IMONSO DATE: 2004/07/08 CHECKED BY: BRUSSELL DATE: 2004/07/08 APPROVED BY: BRUSSELL DATE: 2004/07/08	SCALE: 1:1 DESIGN UNITS: METRIC  THIRD ANGLE PROJECTION	<b>TITLE</b> 1X2 SFP LIGHT PIPE ASSEMBLY, BACK-TOP
		mm	INCH																				
4 PLACES ±	0.13	±.005																					
3 PLACES ±	0.25	±.01																					
2 PLACES ±	0.50	±.02																					
1 PLACE ±	1.00	±.05																					
ANGULAR	± 1°																						
MATERIAL NO: 747270001 DOCUMENT NO: SD-74727-001 SHEET NO: 5 OF 5	DRAFT WHERE APPLICABLE MUST REMAIN WITHIN DIMENSIONS		MOLEX INCORPORATED THIS DRAWING CONTAINS INFORMATION THAT IS PROPRIETARY TO MOLEX INCORPORATED AND SHOULD NOT BE USED WITHOUT WRITTEN PERMISSION																				



**NOTES:**

1. THIS LIGHT PIPE ASSEMBLY TO BE USED WITH THE FOLLOWING 1X2 GANGED CAGE ASSEMBLIES:

747220001 - 1X2 GANGED CAGE ASSEMBLY W/ PRESS FIT LEGS (REFER TO DOCUMENT SD-74722-001 FOR CAGE DETAILS)

2. IT IS RECOMMENDED THAT THE CAGE ASSEMBLY BE PRESSED INTO THE PCB PRIOR TO ASSEMBLING THE LIGHT PIPE ASSEMBLY.

3. LED'S TO HAVE A MAXIMUM HEIGHT OF 1.4mm AND A MINIMUM HEIGHT 0.7mm.

4. RECOMMENDED LED'S INCLUDE THE FOLLOWING MANUFACTURERS:

- DIALIGHT: 597-77x1-5xx SERIES
- CHICAGO MINIATURE: 7016 SERIES
- KINGBRIGHT: APBL3025 SERIES (BICOLOR)
- APL3015 SERIES (SINGLE COLOR)

5. MATERIAL:

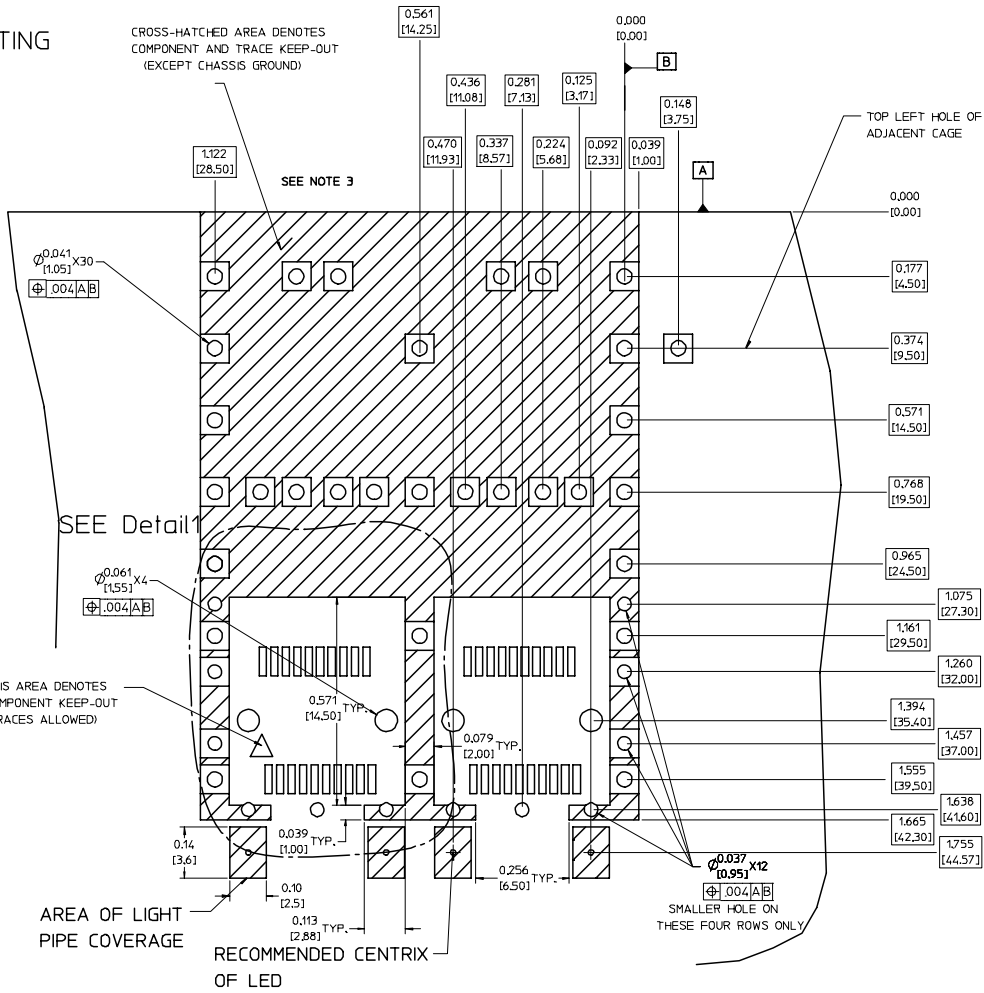
- SHEET METAL COVER: COPPER ALLOY
- LIGHT PIPE: UL94-V2 RATED PLASTIC

6. THIS PART MEETS THE RESTRICTION OF HAZARDOUS SUBSTANCES IN ELECTRICAL AND ELECTRONIC EQUIPMENT (ROHS) DIRECTIVE (2002/95/EC).

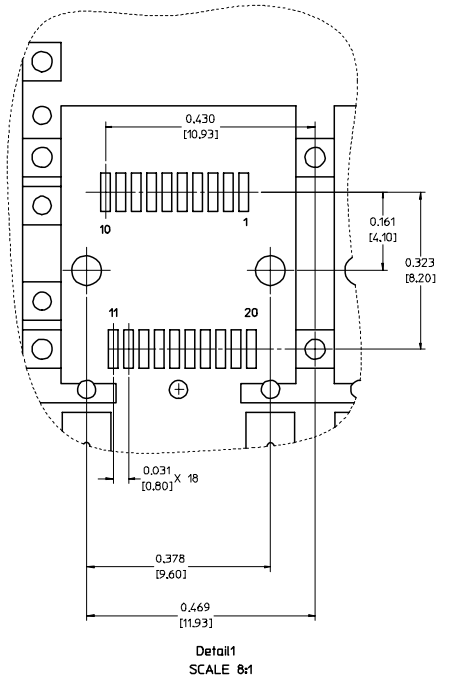
<b>ENTER DESCRIPTION</b> EC NO: USY2008-0195 DRAWN BY: DRWNGHRSRHY 2007/10/22 CHECKED BY: CHFKBRMWOOD 2007/11/01 APPROVED BY: APPRBRMWOOD 2007/11/01 DESCRIPTION:	QUALITY SYMBOLS	GENERAL TOLERANCES (UNLESS SPECIFIED)	DIMENSION STYLE	SCALE	DESIGN UNITS	THIRD ANGLE PROJECTION																														
	$\nabla=0$ $\nabla=0$	<table border="1"> <tr> <th></th> <th>mm</th> <th>INCH</th> </tr> <tr> <td>4 PLACES</td> <td>± .---</td> <td>± .---</td> </tr> <tr> <td>3 PLACES</td> <td>± .---</td> <td>± .005</td> </tr> <tr> <td>2 PLACES</td> <td>± 0.13</td> <td>± .01</td> </tr> <tr> <td>1 PLACE</td> <td>± 0.25</td> <td>± .---</td> </tr> <tr> <td colspan="3">ANGULAR ± 1 °</td> </tr> </table>		mm	INCH	4 PLACES	± .---	± .---	3 PLACES	± .---	± .005	2 PLACES	± 0.13	± .01	1 PLACE	± 0.25	± .---	ANGULAR ± 1 °			<table border="1"> <tr> <th>IN/MM</th> <th>DATE</th> </tr> <tr> <td>DRAWN BY</td> <td>KS IMONSO 2004/07/08</td> </tr> <tr> <td>CHECKED BY</td> <td>DATE</td> </tr> <tr> <td>BRUSSELL</td> <td>2004/07/08</td> </tr> <tr> <td>APPROVED BY</td> <td>DATE</td> </tr> <tr> <td>BRUSSELL</td> <td>2004/07/08</td> </tr> </table>	IN/MM	DATE	DRAWN BY	KS IMONSO 2004/07/08	CHECKED BY	DATE	BRUSSELL	2004/07/08	APPROVED BY	DATE	BRUSSELL	2004/07/08	4:1	METRIC	
		mm	INCH																																	
	4 PLACES	± .---	± .---																																	
3 PLACES	± .---	± .005																																		
2 PLACES	± 0.13	± .01																																		
1 PLACE	± 0.25	± .---																																		
ANGULAR ± 1 °																																				
IN/MM	DATE																																			
DRAWN BY	KS IMONSO 2004/07/08																																			
CHECKED BY	DATE																																			
BRUSSELL	2004/07/08																																			
APPROVED BY	DATE																																			
BRUSSELL	2004/07/08																																			
DRAFT WHERE APPLICABLE MUST REMAIN WITHIN DIMENSIONS		MATERIAL NO: 747270001	DOCUMENT NO: SD-74727-001		MOLEX INCORPORATED																															
		SIZE D	THIS DRAWING CONTAINS INFORMATION THAT IS PROPRIETARY TO MOLEX INCORPORATED AND SHOULD NOT BE USED WITHOUT WRITTEN PERMISSION		SHEET NO: 1 OF 5																															

# PCB LAYOUT FOR BELLY TO BELLY MOUNTING

CROSS-HATCHED AREA DENOTES  
COMPONENT AND TRACE KEEP-OUT  
(EXCEPT CHASSIS GROUND)



## HOST CONNECTOR DETAIL



Detail1  
SCALE 8:1

**NOTES:**

1. PADS AND VIAS GO TO CHASSIS GROUND.
2. CAGE MOUNTING THRU HOLES (34 PLACES) TO BE PLATED.
3. HOLE PATTERN REPEATS FOR EACH PORT, SPACING BETWEEN PORTS IS .561 [14.25].

<b>ENTER DESCRIPTION</b> EC NO: UST2008-095 DRAWN BY: DRWINCHIRSHY 2007/10/22 CHECKED BY: CHKORAHMOOD 2007/11/01 APPROVED BY: APPR:BRHMOOD 2007/11/01 DESCRIPTION:	QUALITY SYMBOLS ▽=0 ▽=0	GENERAL TOLERANCES (UNLESS SPECIFIED) <table border="1"> <tr> <th></th> <th>mm</th> <th>INCH</th> </tr> <tr> <td>4 PLACES ±</td> <td>--- ±</td> <td>---</td> </tr> <tr> <td>3 PLACES ±</td> <td>--- ±</td> <td>.005</td> </tr> <tr> <td>2 PLACES ±</td> <td>0.13 ±</td> <td>.01</td> </tr> <tr> <td>1 PLACE ±</td> <td>0.25 ±</td> <td>---</td> </tr> <tr> <td colspan="3">ANGULAR ± 1 °</td> </tr> </table>		mm	INCH	4 PLACES ±	--- ±	---	3 PLACES ±	--- ±	.005	2 PLACES ±	0.13 ±	.01	1 PLACE ±	0.25 ±	---	ANGULAR ± 1 °			DIMENSION STYLE IN/MM	SCALE 6:1	DESIGN UNITS METRIC	THIRD ANGLE PROJECTION
		mm	INCH																					
	4 PLACES ±	--- ±	---																					
	3 PLACES ±	--- ±	.005																					
2 PLACES ±	0.13 ±	.01																						
1 PLACE ±	0.25 ±	---																						
ANGULAR ± 1 °																								
DRAWN BY: KS IMONSO CHECKED BY: BRUSSELL APPROVED BY: BRUSSELL	DATE: 2004/07/08 DATE: 2004/07/08 DATE: 2004/07/08	TITLE 1X2 SFP LIGHT PIPE ASSEMBLY, BACK-TOP	MATERIAL NO: 747270001	DOCUMENT NO: SD-74727-001	MOLEX INCORPORATED	SHEET NO: 2 OF 5																		
DRAFT WHERE APPLICABLE MUST REMAIN WITHIN DIMENSIONS																								
THIS DRAWING CONTAINS INFORMATION THAT IS PROPRIETARY TO MOLEX INCORPORATED AND SHOULD NOT BE USED WITHOUT WRITTEN PERMISSION																								

# PCB LAYOUT FOR SINGLE SIDE MOUNTING

CROSS-HATCHED AREA DENOTES  
COMPONENT AND TRACE KEEP-OUT  
(EXCEPT CHASSIS GROUND)

SEE NOTE 3

TOP LEFT HOLE  
OF ADJACENT CAGE

THIS AREA DENOTES  
COMPONENT KEEP-OUT  
(TRACES ALLOWED)

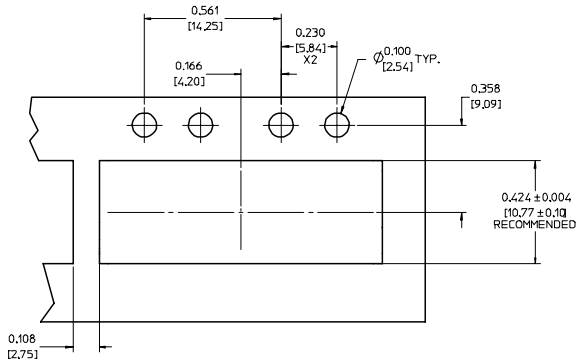
AREA OF LIGHT  
PIPE COVERAGE

RECOMMENDED CENTRIX  
OF LED

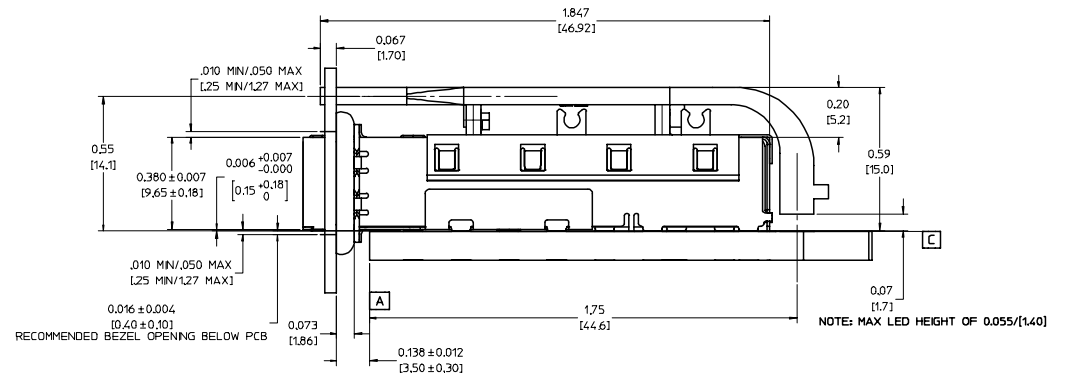
- NOTES:
1. PADS AND VIAS GO TO CHASSIS GROUND.
  2. CAGE MOUNTING THRU HOLES (19 PLACES) TO BE PLATED.
  3. HOLE PATTERN REPEATS FOR EACH PORT.  
SPACING BETWEEN PORTS IS .561 [14.25].

<b>ENTER DESCRIPTION</b> EC NO: DST2008-0095 DRAWN BY: DRWINCHIRSHY 2007/10/22 CHKDR: RAYWOOD 2007/11/01 APPR: RAYWOOD 2007/11/01 DESCRIPTION:	QUALITY SYMBOLS	GENERAL TOLERANCES (UNLESS SPECIFIED)	DIMENSION STYLE	SCALE	DESIGN UNITS	THIRD ANGLE PROJECTION	
	▽=0 ▽=0	4 PLACES ± --- ± --- 3 PLACES ± --- ± .005 2 PLACES ± 0.13 ± .01 1 PLACE ± 0.25 ± --- ANGULAR ± 1 °	IN/MM INCH	6:1	METRIC	DATE DATE DATE DATE	
			DRAWN BY: KS IMONSO CHECKED BY: BRUSSELL APPROVED BY: BRUSSELL	DATE 2004/07/08 2004/07/08 2004/07/08		TITLE 1X2 SFP LIGHT PIPE ASSEMBLY, BACK-TOP	
			MATERIAL NO: 747270001 DRAFT WHERE APPLICABLE MUST REMAIN WITHIN DIMENSIONS	DATE 2004/07/08		MOLEX INCORPORATED DOCUMENT NO: SD-74727-001	SHEET NO: 3 OF 5

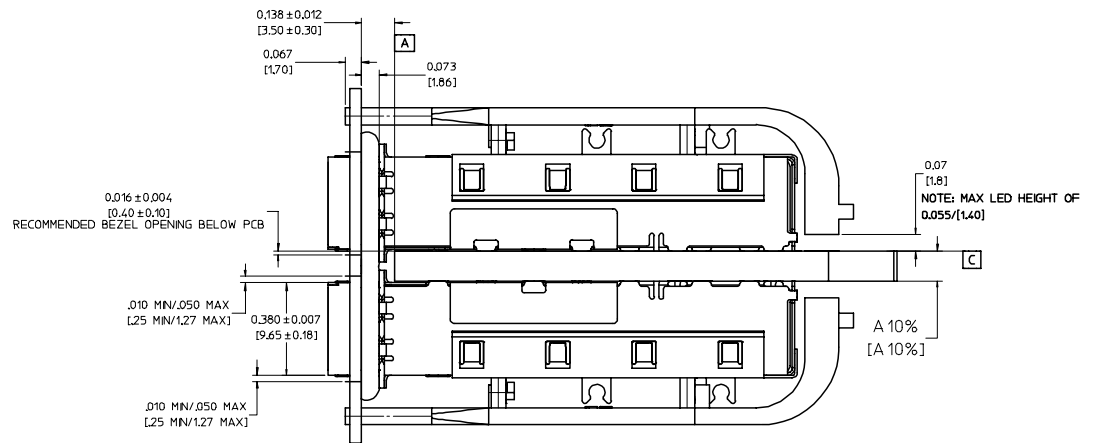
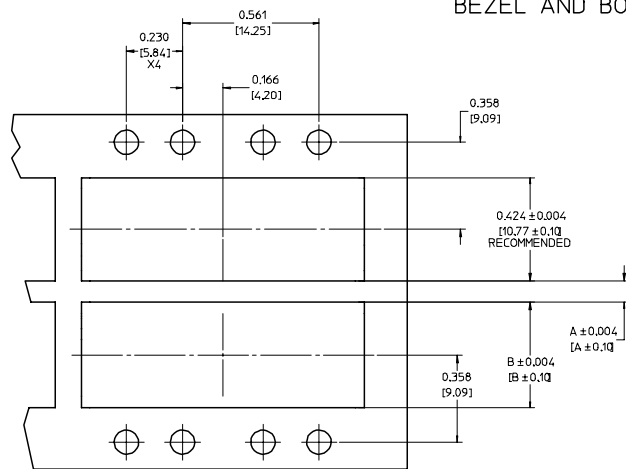




BEZEL AND BOARD POSITION DIMENSIONS FOR SINGLE SIDE MOUNTING



BEZEL AND BOARD POSITION DIMENSIONS FOR BELLY TO BELLY MOUNTING



NOTE: FOR A GIVEN BOARD THICKNESS (A), DIMENSIONS (B) AND (C) ARE DIRECTLY AFFECTED.

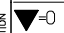
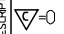


USE RECOMMENDED DIMENSIONS AND TOLERANCES TO AID IN DEVELOPING BEZEL OPENING.

FOR EXAMPLE USING A BOARD THICKNESS OF .125" THE RECOMMENDED VALUES WOULD BE:

A = .125/3.18 ± 10%  
 B = .434/11.03 ± 0.04  
 C = .088/2.23 ± 0.04

<b>ENTER DESCRIPTION</b> EC NO: UST2008-095 DRAWN BY: DRWINCHIRSHY 2007/10/22 CHECKED BY: CHIKORAHMOOD 2007/11/01 APPROVED BY: APRILRAHMOOD 2007/11/01 REV DESCRIPTION	QUALITY SYMBOLS	GENERAL TOLERANCES (UNLESS SPECIFIED)	DIMENSION STYLE	SCALE	DESIGN UNITS	THIRD ANGLE PROJECTION	
	$\nabla=0$ $\nabla=0$	4 PLACES ± --- ± --- 3 PLACES ± --- ± .005 2 PLACES ± 0.13 ± .01 1 PLACE ± 0.25 ± --- ANGULAR ± 1 °	IN/MM	4:1	METRIC		
			DRAWN BY: KS IMONSO 2004/07/08 CHECKED BY: BRUSSELL 2004/07/08 APPROVED BY: BRUSSELL 2004/07/08	DATE		TITLE	1X2 SFP LIGHT PIPE ASSEMBLY, BACK-TOP
		DRAFT WHERE APPLICABLE MUST REMAIN WITHIN DIMENSIONS	MATERIAL NO: 747270001 SIZE: D	DOCUMENT NO: SD-74727-001		MOLEX INCORPORATED	SHEET NO: 4 OF 5

DATE	REV	CHANGES	COMMENTS
2003/12/09	1	PRELIMINARY DOCUMENT	N/A
2004/07/08	A	INITIAL RELEASE	N/A
2005/06/03	B	CORRECTED P/N FOR DIALIGHT LED. UPDATED DIMENSIONS.	DOCUMENT CHANGE ONLY
2005/06/10	C	UPDATED VIEWS TO SHOW CLEARANCE HOLES ADDED TO THE COVER.	N/A
2007/10/22	D	ADDED COMPONENT MATERIAL INFORMATION TO NOTES SECTION OF SHEET 1	DOCUMENT CHANGE ONLY

<b>ENTER DESCRIPTION</b> EC NO: USY2008-0195 D 2007/10/22 DRWNGH:RSRY CHKDR:RAHMOOD APPR:RAHMOOD 2007/11/01	<b>QUALITY SYMBOLS</b>  = 0  = 0.05	<b>GENERAL TOLERANCES (UNLESS SPECIFIED)</b> <table border="1"> <thead> <tr> <th></th> <th>mm</th> <th>INCH</th> </tr> </thead> <tbody> <tr> <td>4 PLACES</td> <td>± .005</td> <td>± .0005</td> </tr> <tr> <td>3 PLACES</td> <td>± .005</td> <td>± .0005</td> </tr> <tr> <td>2 PLACES</td> <td>± 0.13</td> <td>± .01</td> </tr> <tr> <td>1 PLACE</td> <td>± 0.25</td> <td>± .01</td> </tr> <tr> <td>ANGULAR</td> <td colspan="2">± 1 °</td> </tr> </tbody> </table>		mm	INCH	4 PLACES	± .005	± .0005	3 PLACES	± .005	± .0005	2 PLACES	± 0.13	± .01	1 PLACE	± 0.25	± .01	ANGULAR	± 1 °		<b>DIMENSION STYLE</b> IN/MM	<b>SCALE</b> 1:1	<b>DESIGN UNITS</b> METRIC	 <b>THIRD ANGLE PROJECTION</b>
				mm	INCH																			
4 PLACES	± .005	± .0005																						
3 PLACES	± .005	± .0005																						
2 PLACES	± 0.13	± .01																						
1 PLACE	± 0.25	± .01																						
ANGULAR	± 1 °																							
<b>DRAWN BY</b> KS IMONSO	<b>DATE</b> 2004/07/08	<b>TITLE</b> 1X2 SFP LIGHT PIPE ASSEMBLY, BACK-TOP	<b>CHECKED BY</b> BRUSSELL	<b>DATE</b> 2004/07/08	<b>APPROVED BY</b> BRUSSELL	<b>DATE</b> 2004/07/08																		
<b>DRAFT WHERE APPLICABLE MUST REMAIN WITHIN DIMENSIONS</b>		<b>MATERIAL NO.</b> 747270001	<b>DOCUMENT NO.</b> SD-74727-001	 <b>MOLEX INCORPORATED</b>		<b>SHEET NO.</b> 5 OF 5																		
THIS DRAWING CONTAINS INFORMATION THAT IS PROPRIETARY TO MOLEX INCORPORATED AND SHOULD NOT BE USED WITHOUT WRITTEN PERMISSION																								