



### Electrical Specifications

**Center Frequency:** 2585 MHz  
**Bandwidth:** 10 MHz Min  
**Passband:** 2580-2590 MHz  
**Insertion Loss:** 3.0 dB Max  
**VSWR:** 1.50:1 Max  
**Rejection:** >30 dBc @ 2610 MHz  
**Power:** 20 Watts CW  
**Impedance:** 50  $\Omega$

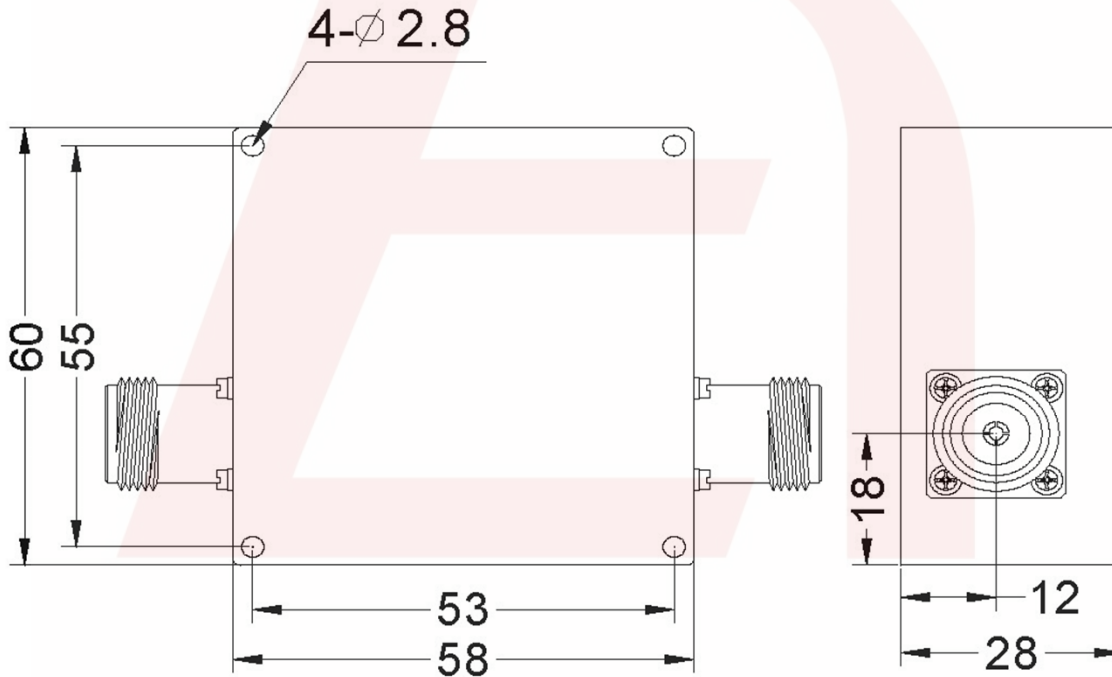
### Mechanical

**Connector Type:** N-Type (F)  
**Dimensions:** 60 x 58 x 28 mm

### Environmental

**Operating Temperature:** -40 to +70° C  
**Storage Temperature:** -55 to +85° C  
**Shock:** 20 G. 11ms  
**Vibration:** 20 G. 5 to 200 Hz

### Outline Drawing:



**Note:** Unit: mm, Unless otherwise specified, .Outline drawing +/-0.2mm; Hole +/-0.1mm