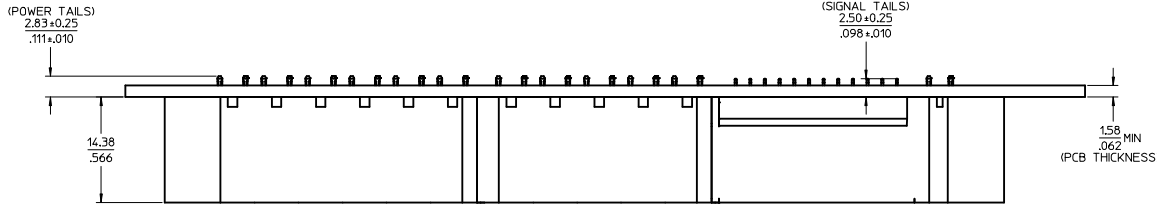
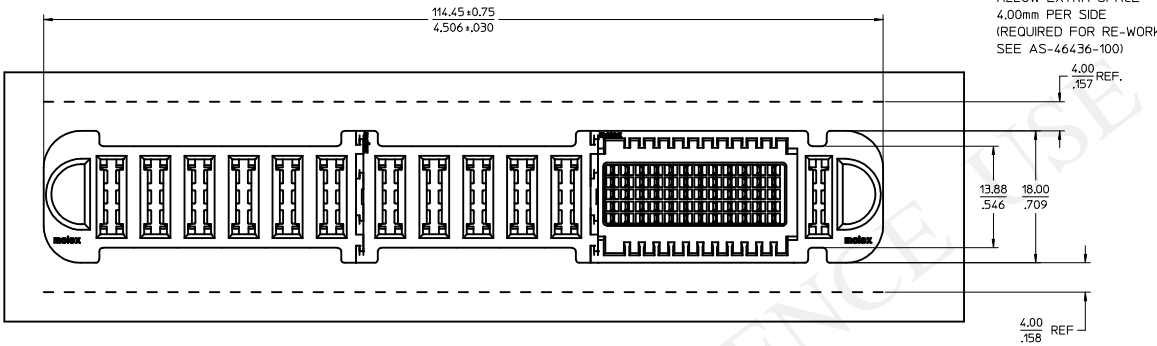
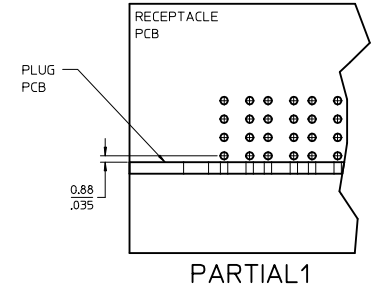
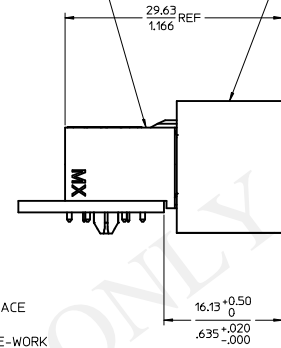


3D MODEL NO.: TM-171088-0023

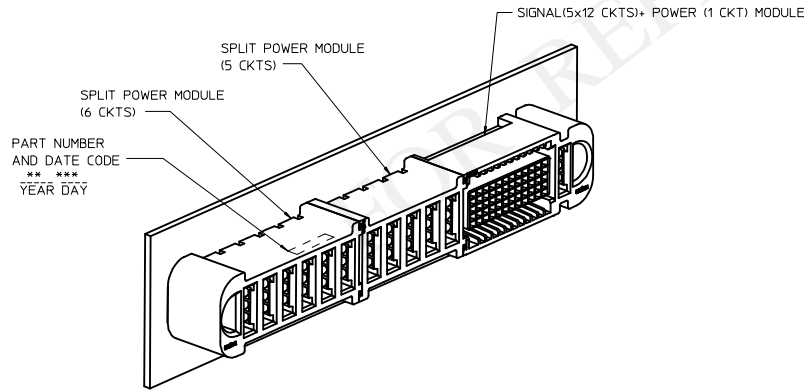


PLUG ASSY
P/N:171088-0023

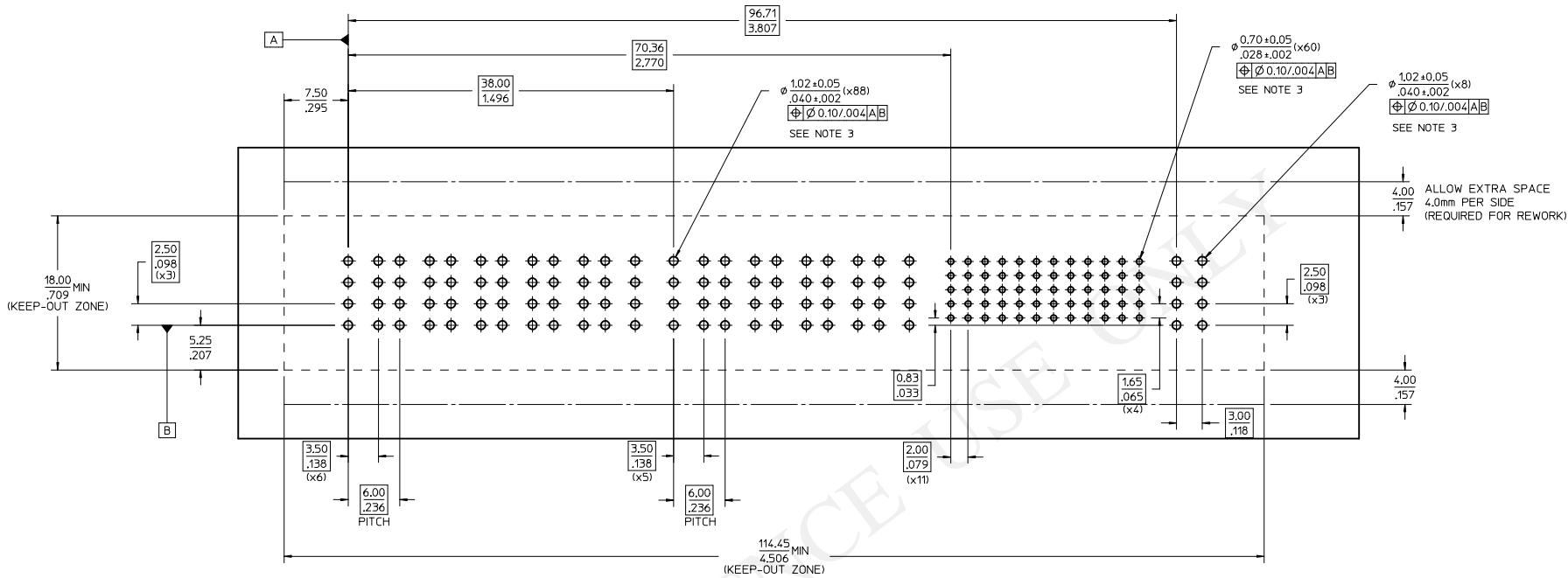
VERT. RECEPTACLE ASSY
P/N:171089-0023



- NOTES:
- MATERIAL:
-HOUSINGS: LCP UL94, V-0, COLOR: BLACK.
-TERMINALS: COPPER ALLOY.
-PLATING: 127 MICROMETER (50 MICROINCH) NICKEL OVERALL
WITH 254 MICROMETER (100 MICROINCH) SELECTIVE TIN ON TAILS
AND 0.762 MICROMETER (30 MICROINCH) SELECTIVE GOLD ON CONTACT AREA
 - PACKAGING: ASSEMBLIES TO BE TRAY PACKED PER PACKAGING SPEC PK-171089-0001
 - PLATED THRU HOLE SIZE REFERS TO PS-171088-0000 FOR DETAILS
 - PRODUCT SPEC: PS-171088-0000
 - APPLICATION SPEC: AS-46436-100
 - SEE PRODUCT SPEC FOR ROHS REQUIREMENTS
 - ASSEMBLY MATES TO MOLEX PLUG ASSEMBLY P/N 171088-0023
 - TAIL DESIGN: COMPLIANT PIN
 - POWER AND SIGNAL CONTACTS ARE LUBRICATED.



REVISE NOTE IEC NO: UCP2016-1405 CHKO:JULIN 2015/09/30 APPR:JULIN 2015/09/30	QUALITY SYMBOLS	GENERAL TOLERANCES (UNLESS SPECIFIED)	DIMENSION STYLE	SCALE	DESIGN UNITS	THIRD ANGLE PROJECTION
	▽=0	mm INCH	MM/MIN	3:1	METRIC	
	▽=0	4 PLACES ±.005 ±.001	DRAWN BY DATE			TITLE
	▽=0	3 PLACES ±.013 ±.005	CHECKED BY DATE			TEN60 SPLIT POWER VERT ASSY G-1P-60S-5SP-6SP-G
	1 PLACE ±0.25 ±.010	APPROVED BY DATE				molex
	0 PLACE ±.005 ±.001					MATERIAL NO. DOCUMENT NO.
		ANGULAR ±1/2°				171089-0023 SD-171089-0023
		DRAFT WHERE APPLICABLE MUST REMAIN WITHIN DIMENSIONS				SHEET NO. 1 OF 3
						THIS DRAWING CONTAINS INFORMATION THAT IS PROPRIETARY TO MOLEX INCORPORATED AND SHOULD NOT BE USED WITHOUT WRITTEN PERMISSION



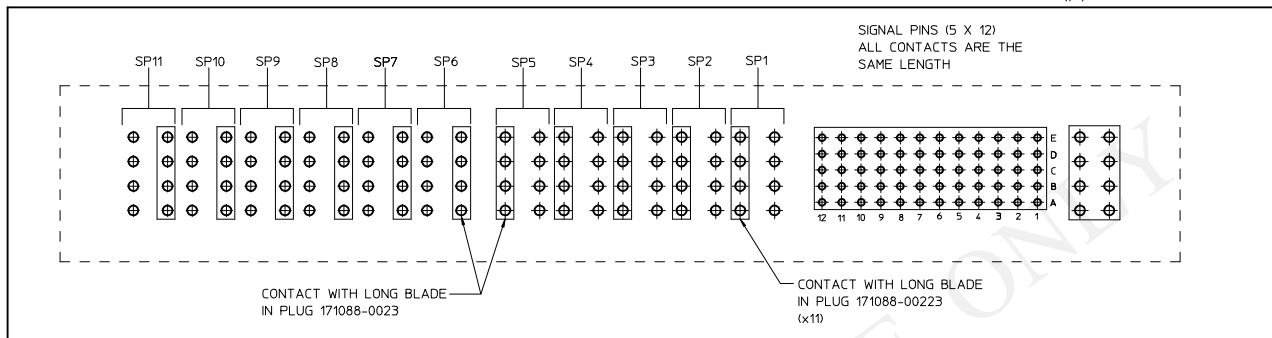
RECOMMENDED PCB LAYOUT AND KEEP OUT ZONE
(SEE SHEET 3 FOR PIN ASSIGNMENT)

FOR REFERENCE ONLY

ENTER DESCRIPTION IEC NO. UCP2016-1405 DRAWN: JUILLES 2015/09/30 CHECKED: CHYKOLIN 2015/09/30 APPR: JUILLES 2015/09/30 REV DESCRIPTION	QUALITY SYMBOLS ▽=0 ▽=0 ▽=0		GENERAL TOLERANCES (UNLESS SPECIFIED) <table border="1"> <thead> <tr> <th></th> <th>mm</th> <th>INCH</th> </tr> </thead> <tbody> <tr> <td>4 PLACES</td> <td>± .05</td> <td>± .002</td> </tr> <tr> <td>3 PLACES</td> <td>± .075</td> <td>± .003</td> </tr> <tr> <td>2 PLACES</td> <td>± 0.13</td> <td>± .005</td> </tr> <tr> <td>1 PLACE</td> <td>± 0.25</td> <td>± .010</td> </tr> <tr> <td>0 PLACE</td> <td>± .50</td> <td>± .020</td> </tr> </tbody> </table>			mm	INCH	4 PLACES	± .05	± .002	3 PLACES	± .075	± .003	2 PLACES	± 0.13	± .005	1 PLACE	± 0.25	± .010	0 PLACE	± .50	± .020	DIMENSION STYLE MM/IN	SCALE 4:1	DESIGN UNITS METRIC	<input checked="" type="checkbox"/> THIRD ANGLE PROJECTION
		mm	INCH																							
	4 PLACES	± .05	± .002																							
	3 PLACES	± .075	± .003																							
2 PLACES	± 0.13	± .005																								
1 PLACE	± 0.25	± .010																								
0 PLACE	± .50	± .020																								
DRAFT WHERE APPLICABLE MUST REMAIN WITHIN DIMENSIONS			DRAWN BY DATE VLIN 2012/09/12	TITLE TEN60 SPLIT POWER VERT ASSY G-1P-60S-5SP-6SP-G																						
MATERIAL NO. 171089-0023			APPROVED BY DATE VLIN 2012/10/10	DOCUMENT NO. SD-171089-0023																						
SIZE D			THIS DRAWING CONTAINS INFORMATION THAT IS PROPRIETARY TO MOLEX INCORPORATED AND SHOULD NOT BE USED WITHOUT WRITTEN PERMISSION																							

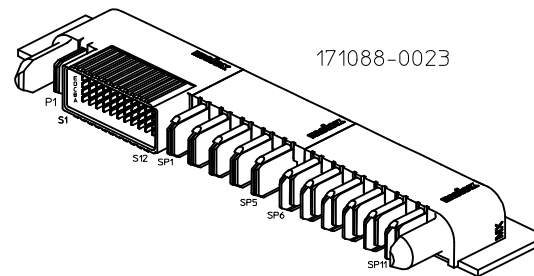
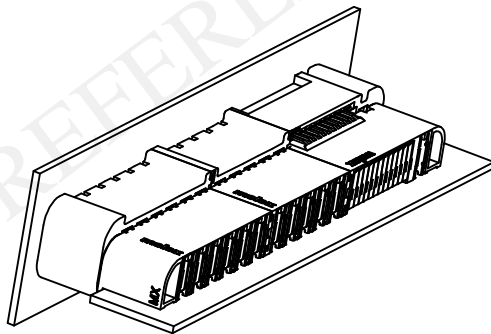
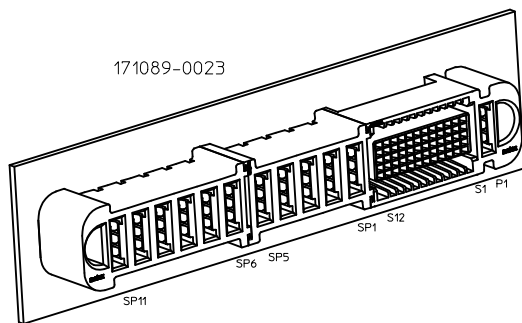
TEN60
SPLIT POWER
(SP)

STANDRAD
TEN60
POWER
(P)



PCB PIN ASSIGNMENT

PLEASE ALSO REFER TO PLUG DRAWING
P/N: 171088-0023



SEE SHEET 1 IEC NO. UCP2016-1405 2015/09/30 DRAWN: JUILLES 2015/09/30 CHKD: YLIN 2015/09/30 APPR: JUILLES 2015/09/30 REV. DESCRIPTION	QUALITY SYMBOLS	GENERAL TOLERANCES (UNLESS SPECIFIED)	DIMENSION STYLE	SCALE	DESIGN UNITS	THIRD ANGLE PROJECTION
	▽=0	4 PLACES ± mm ± INCH	MM/IN	4:1	METRIC	☉
	▽=0	3 PLACES ± 0.13 ± 0.005				
	▽=0	2 PLACES ± 0.25 ± 0.010				
	ANGULAR ±1/2°	DRAFT WHERE APPLICABLE MUST REMAIN WITHIN DIMENSIONS	MATERIAL NO.	DATE	TITLE	
			171089-0023	2012/09/12	TEN60 SPLIT POWER VERT ASSY G-1P-60S-5SP-6SP-G	
			SD-171089-0023	2012/10/10	molex	
			SIZE D		INCORPORATED AND SHOULD NOT BE USED WITHOUT WRITTEN PERMISSION	
						SHEET NO. 3 OF 3