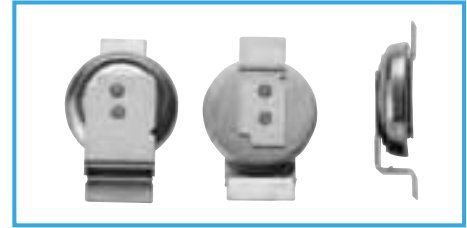
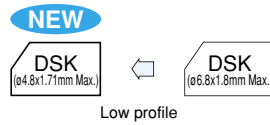


## ø4.8 x 1.71mm Max. height Coin Cell Capacitors

GREEN CAP

70°C

- Reflow soldering method available.
- Unlike batteries, the number of charging/ discharging cycles unlimited and rapid charging/ discharging is possible.
- High reliability, Safe and unlike secondary batteries, this is pollution free devices.
- ø4.8 x 1.71mm Max height type made lineup in the DSK series.

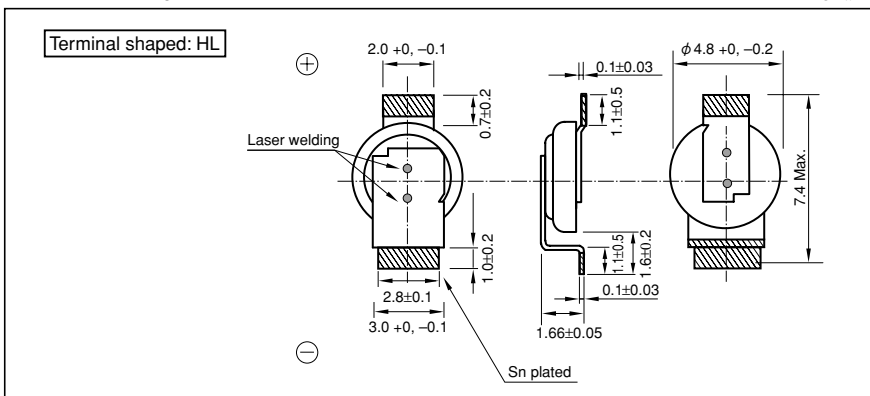


### Specifications

| Item  | Performance                               |  |
|---|---|--|
| Series Name                                 | DSK series                                |  |
| Rated voltage (V)                           | 3.3                                       |  |
| Category temperature range (°C)             | -10 to +70                                |  |
| Tolerance at rated capacitance (%)          | -20 to +80                                |  |
| Rated Capacitance (F)                       | 0.07                                      |  |
| Internal resistance(Ω) at 1 kHz             | 100                                       |  |
| Characteristics at high and low temperature | Percentage of capacitance change          | Within ±50% of the value at 20°C             |
|   | Internal resistance                       | Within ten times the initial specified value |
| Endurance                                   | Test temperature                          | 70°C   |
|   | Test time                                 | 500 hours                                    |
|   | Percentage of capacitance change          | Within ±30% of the initial measured value    |
|   | Internal resistance                       | 1.5kΩ or less                                |
| Shelf life                                  | Test time :500 hours ; Same as endurance. |  |

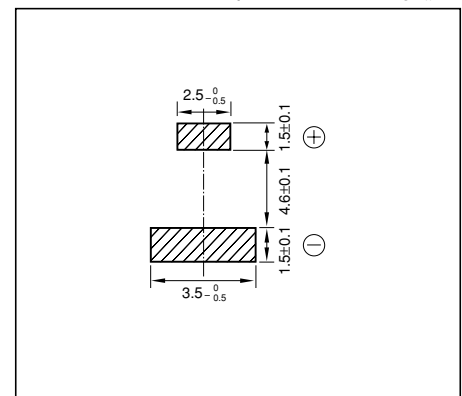
### Outline Drawing

Unit: mm



### Recommended land pattern size

Unit: mm



### Part numbering system (3.3V0.07F, terminal shaped: HL)

|             |   |                      |                          |                   |                 |   |        |   |
|-------------|---|----------------------|--------------------------|-------------------|-----------------|---|--------|---|
| DSK         | — | 3R3                  | H                        | 703               | T414            | — | HL     | L |
| Series code |   | Rated voltage symbol | Rated capacitance symbol | Additional symbol | Terminal shaped |   | Taping |   |

### Standard Ratings

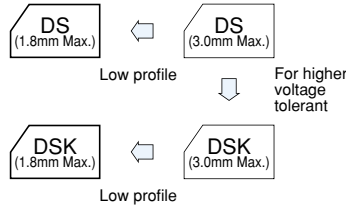
| Max. operating voltage(V) | Rated capacitance(F) | ELNA Parts No.      | ø DxL(mm) |
|---------------------------|----------------------|---------------------|-----------|
| 3.3                       | 0.07                 | DSK-3R3H703T414-HLL | 4.8x1.4   |

\* Reflow soldering condition : 146 page.

## 1.8mm Max. height Coin Cell Capacitors

GREEN CAP 60°C / 70°C

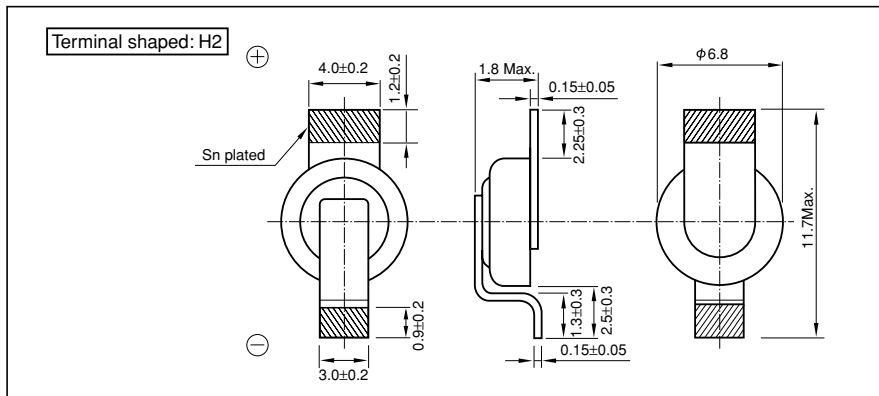
- Reflow soldering method available.
- Unlike batteries, the number of charging/ discharging cycles unlimited and rapid charging/ discharging is possible.
- High reliability, Safe and unlike secondary batteries, this is pollution free devices.
- 1.8mm height type made lineup in the DS, DSK series.



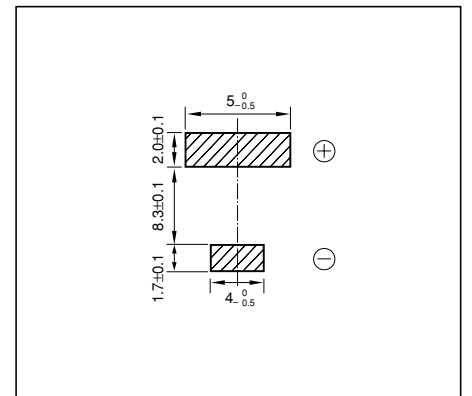
### Specifications

| Item  | Performance                                |   |                                  |  |
|---|--|---|----------------------------------|--|
| Series Name                                 | DS series                                  |   | DSK series                       |  |
| Rated voltage (V)                           | 2.5  |   | 3.3                              |  |
| Category temperature range (°C)             | -25 to +70                                 |   | -10 to +60                       |  |
| Tolerance at rated capacitance (%)          | -20 to +80                                 |   | -20 to +80                       |  |
| Rated Capacitance (F)                       | 0.2  |   | 0.2                              |  |
| Internal resistance(Ω) at 1 kHz             | 100  |   | 200                              |  |
| Characteristics at high and low temperature | Percentage of capacitance change           | Within ±30% of the value at 20°C          | Percentage of capacitance change | Within ±50% of the value at 20°C             |
|   | Internal resistance                        | Less than five times of the value at 20°C | Internal resistance              | Within ten times the initial specified value |
| Endurance                                   | Test temperature                           | 70°C                                      | Test temperature                 | 60°C   |
|   | Test time                                  | 1000 hours                                | Test time                        | 1000 hours                                   |
|   | Percentage of capacitance change           | Within ±30% of the initial measured value | Percentage of capacitance change | Within ±30% of the initial measured value    |
|   | Internal resistance                        | 2kΩ or less                               | Internal resistance              | 4kΩ or less                                  |
| Shelf life                                  | Test time :1000 hours ; Same as endurance. |   |                                  |  |

### Outline Drawing



### Recommended land pattern size



### Part numbering system (2.5V0.2F, terminal shaped: H2)

|             |   |                      |   |                          |                   |   |                 |        |
|-------------|---|----------------------|---|--------------------------|-------------------|---|-----------------|--------|
| DS          | — | 2R5                  | H | 204                      | T614              | — | H2              | L      |
| Series code |   | Rated voltage symbol |   | Rated capacitance symbol | Additional symbol |   | Terminal shaped | Taping |

### Part numbering system (3.3V0.2F, terminal shaped: H2)

|             |   |                      |   |                          |                   |   |                 |        |
|-------------|---|----------------------|---|--------------------------|-------------------|---|-----------------|--------|
| DSK         | — | 3R3                  | H | 204                      | T614              | — | H2              | L      |
| Series code |   | Rated voltage symbol |   | Rated capacitance symbol | Additional symbol |   | Terminal shaped | Taping |

### Standard Ratings

| Max. operating voltage(V) | Rated capacitance(F) | ELNA Parts No.      | φ DxL(mm) |
|---------------------------|----------------------|---------------------|-----------|
| 2.5                       | 0.2                  | DS-2R5H204T614-H2L  | 6.8x1.4   |
| 3.3                       | 0.2                  | DSK-3R3H204T614-H2L | 6.8x1.4   |

\* Reflow soldering condition : 146 page.

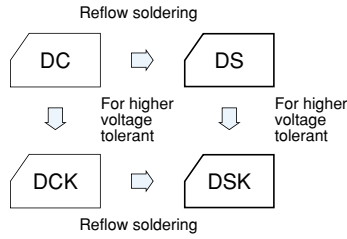
# DS, DSK-621 ELECTRIC DOUBLE LAYER CAPACITORS "DYNACAP"



## Coin Cell Capacitors



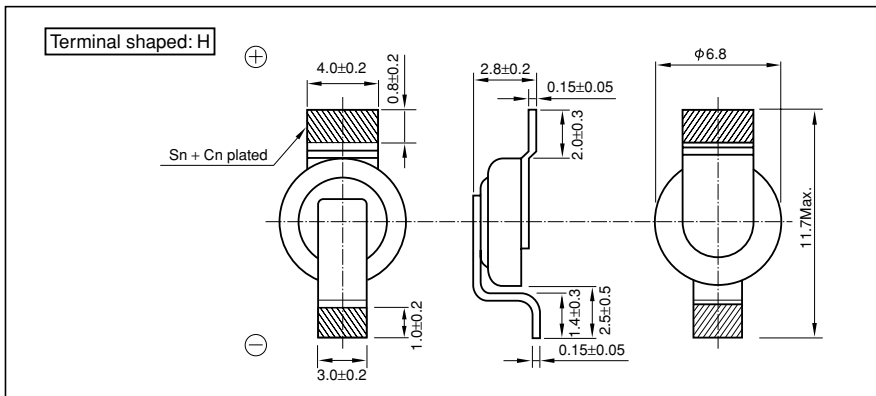
- Reflow soldering method available.
- Unlike batteries, the number of charging/ discharging cycles unlimited and rapid charging/ discharging is possible.
- High reliability, Safe and unlike secondary batteries, this is pollution free devices.



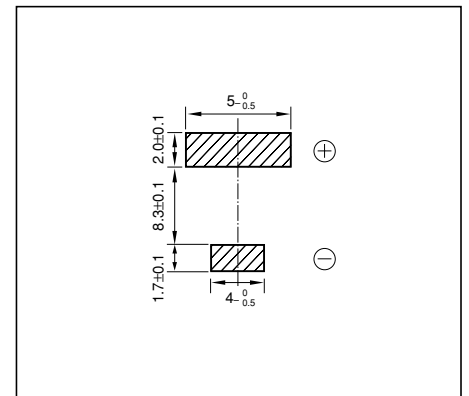
## Specifications

| Item  | Performance                                |  |                                  |  |
|---|--|--|----------------------------------|--|
|   | DS series                                  |  | DSK series                       |  |
| Series Name                                 | DS series                                  |  | DSK series                       |  |
| Rated voltage (V)                           | 2.5  |  | 3.3                              |  |
| Category temperature range (°C)             | -25 to +70                                 |  | -10 to +60                       |  |
| Tolerance at rated capacitance (%)          | -20 to +80                                 |  | -20 to +80                       |  |
| Rated Capacitance (F)                       | 0.22                                       |  | 0.22                             |  |
| Internal resistance(Ω) at 1 kHz             | 100  |  | 200                              |  |
| Characteristics at high and low temperature | Percentage of capacitance change           | Within ±30% of the value at 20°C                 | Percentage of capacitance change | Within ±50% of the value at 20°C                 |
|   | Internal resistance                        | Less than five times of the value at 20°C        | Internal resistance              | Within five times the initial specified value    |
| Endurance                                   | Test temperature                           | 70°C   | Test temperature                 | 60°C   |
|   | Test time                                  | 1000 hours                                       | Test time                        | 1000 hours                                       |
|   | Percentage of capacitance change           | Within ±30% of the initial measured value        | Percentage of capacitance change | Within ±30% of the initial measured value        |
|   | Internal resistance                        | Within four times of the initial specified value | Internal resistance              | Within four times of the initial specified value |
| Shelf life                                  | Test time :1000 hours ; Same as endurance. |  |                                  |  |

## Outline Drawing



## Recommended land pattern size



|             |   |                      |   |                          |                   |   |    |
|-------------|---|----------------------|---|--------------------------|-------------------|---|----|
| DS          | — | 2R5                  | H | 224                      | □                 | — | HL |
| Series code |   | Rated voltage symbol |   | Rated capacitance symbol | Additional symbol |   |    |

|             |   |                      |   |                          |                   |   |    |
|-------------|---|----------------------|---|--------------------------|-------------------|---|----|
| DSK         | — | 3R3                  | H | 224                      | □                 | — | HL |
| Series code |   | Rated voltage symbol |   | Rated capacitance symbol | Additional symbol |   |    |

## Standard Ratings

| Max. operating voltage(V) | Rated capacitance(F) | ELNA Parts No.  | φ DxL(mm) |
|---------------------------|----------------------|-----------------|-----------|
| 2.5                       | 0.22                 | DS-2R5H224U-HL  | 6.8x2.1   |
| 3.3                       | 0.22                 | DSK-3R3H224U-HL | 6.8x2.1   |

\* Reflow soldering condition : 146 page.