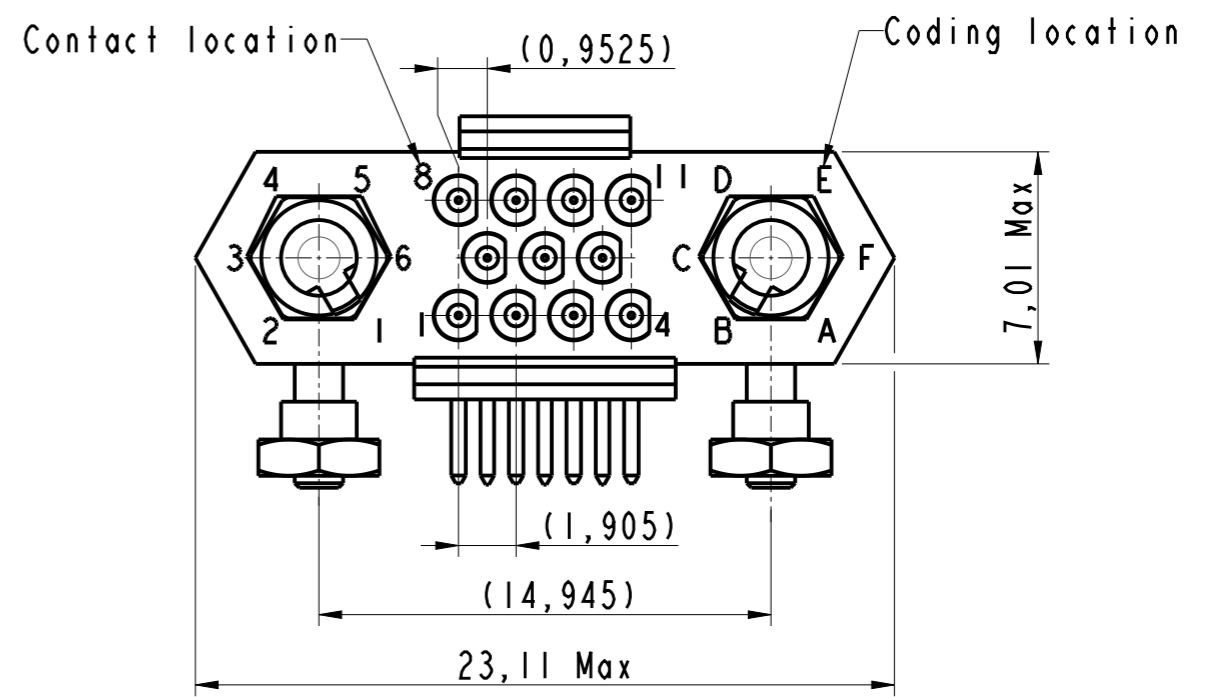
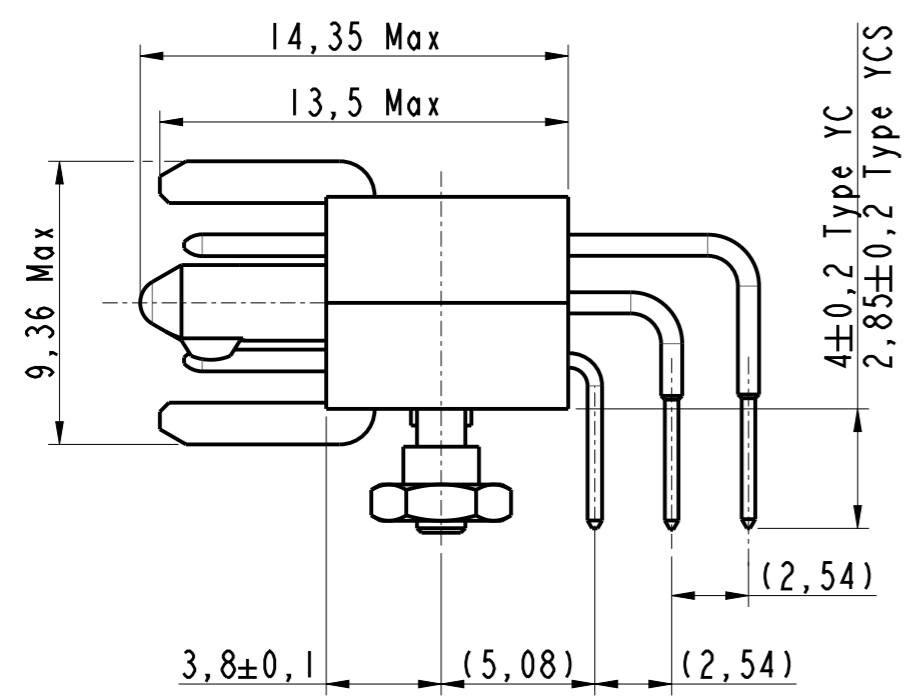
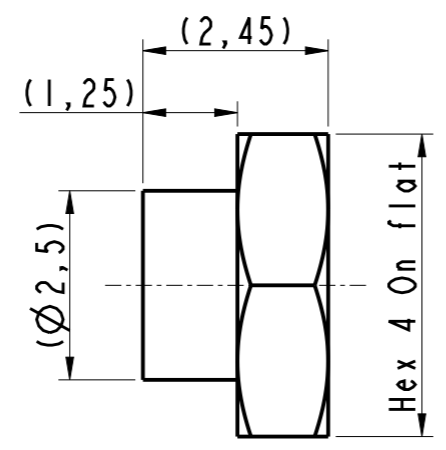
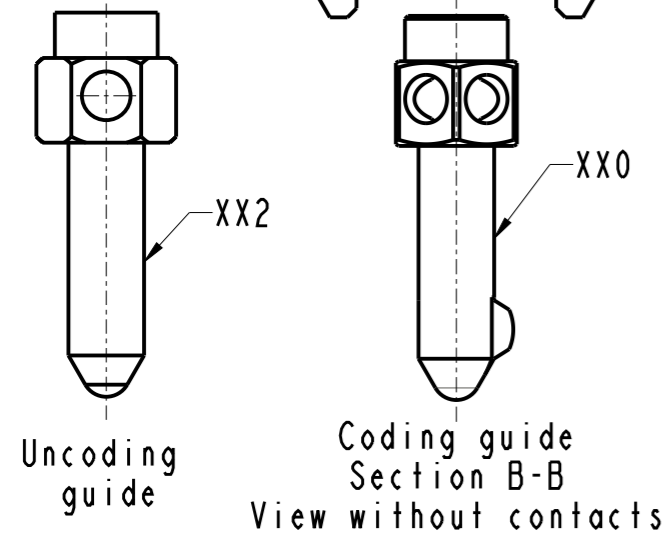
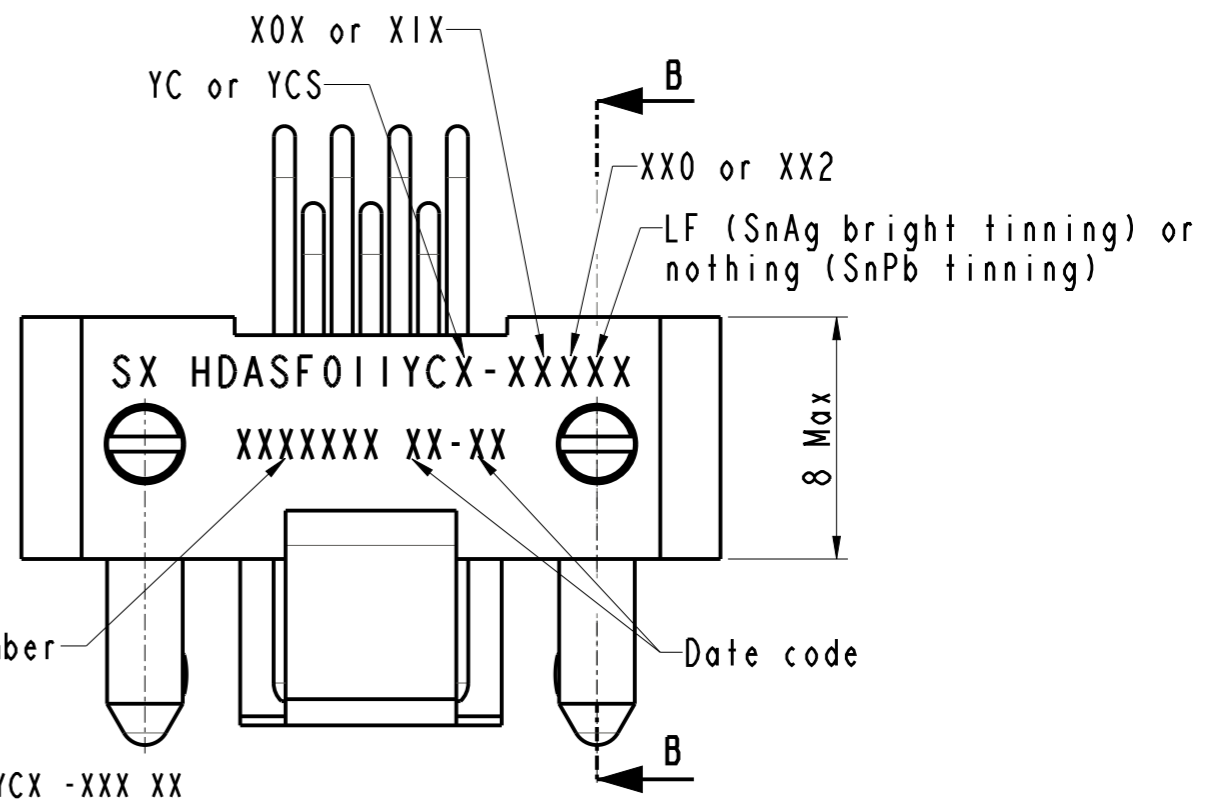
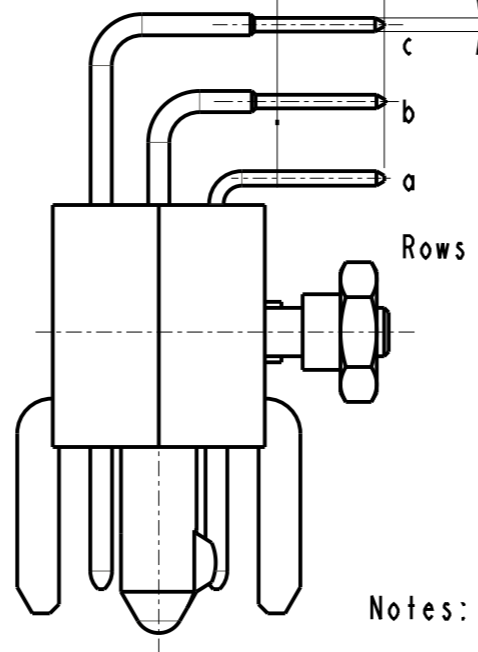
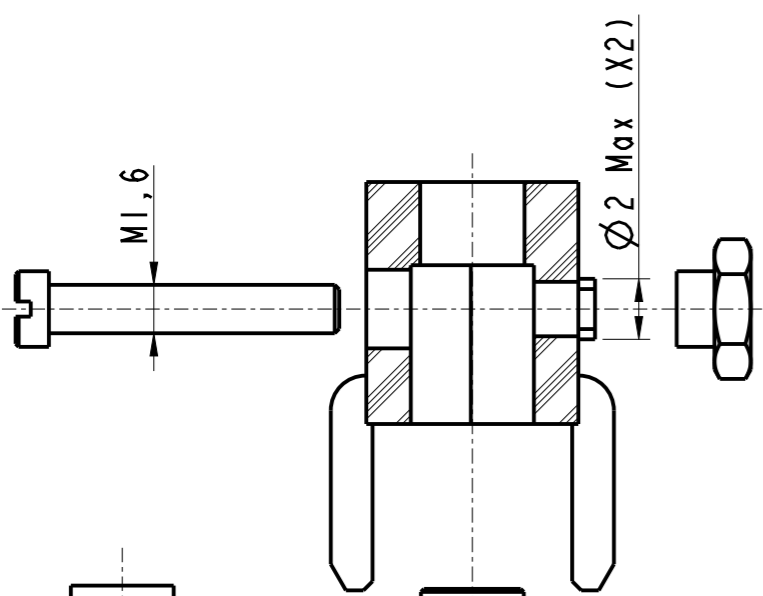


IN THE CONSTANT PURPOSE OF IMPROVING ITS PRODUCTS, AMPHENOL SOCAPEX RESERVES THE RIGHT TO MODIFY ANY DIMENSION OR CHARACTERISTICS.
FM.NPD.0036.THYEZ.PUNE rev C



Tinning: deviation-XIX
2 Min for YCS
3 Min for YC

$\varnothing 0,5$ Max
(X11)



Shoulder nut
Scale 10

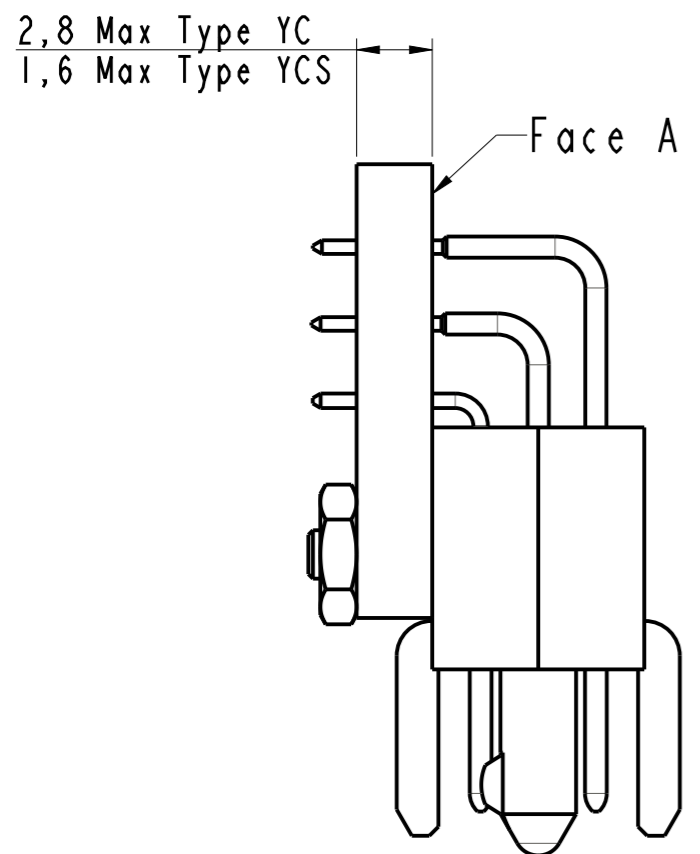
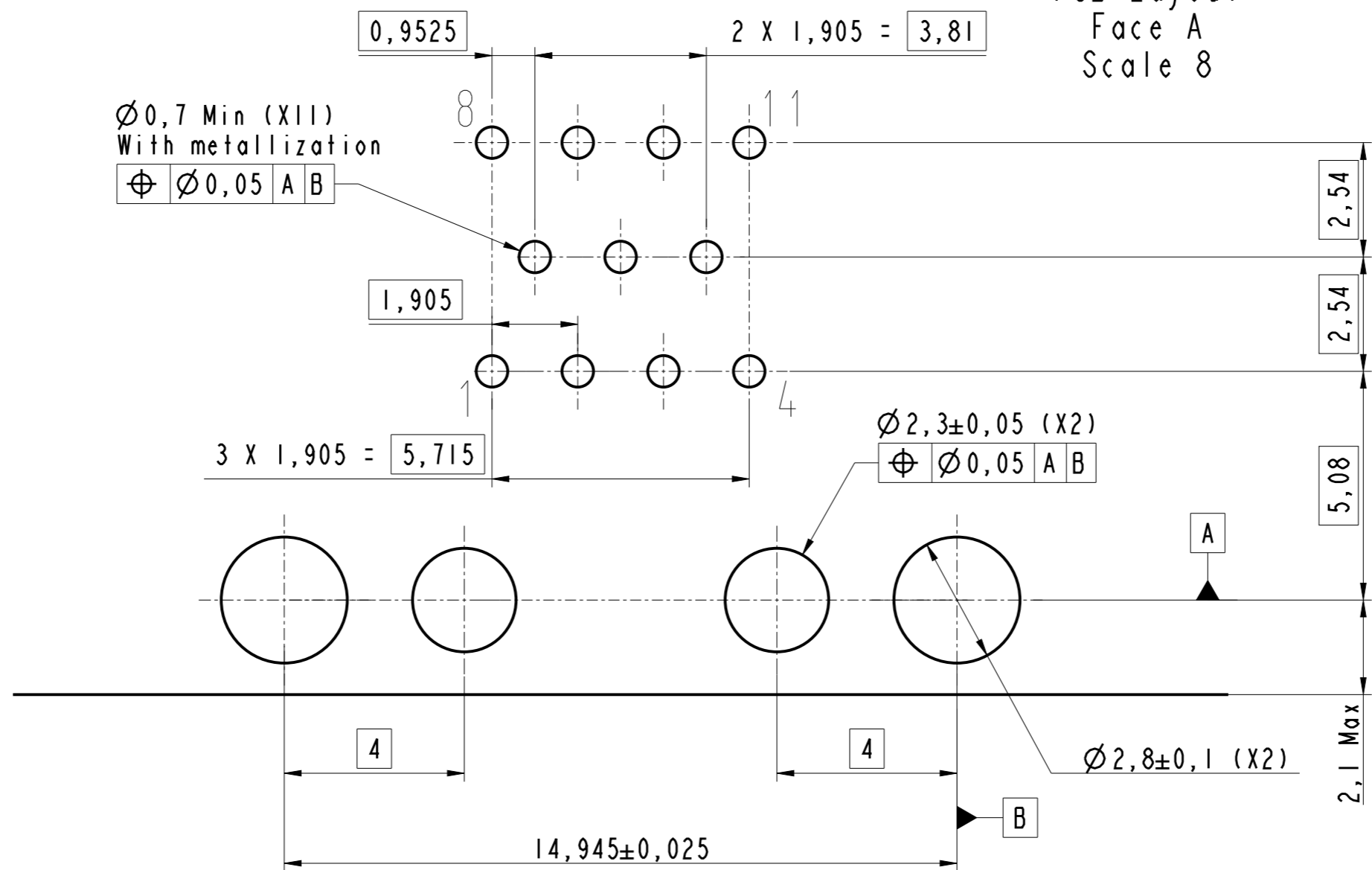
Notes:

- Part : HDAS F 011 YCX -XXX XX
- External dimensions for a male plug with 11 signal contacts type YCX
- Connector delivered with fittings not assembled, coupling torque : 0,15 Nm
- Standard OXX : Nickel plated over brass fittings.
Deviation IXX : Passivated stainless steel fittings.
- Standard X0X : Contacts gold plated (RoHS)
Deviation XIX : Contacts fail Hot dip tinned SnPb (non RoHS) or SnAg (RoHS)

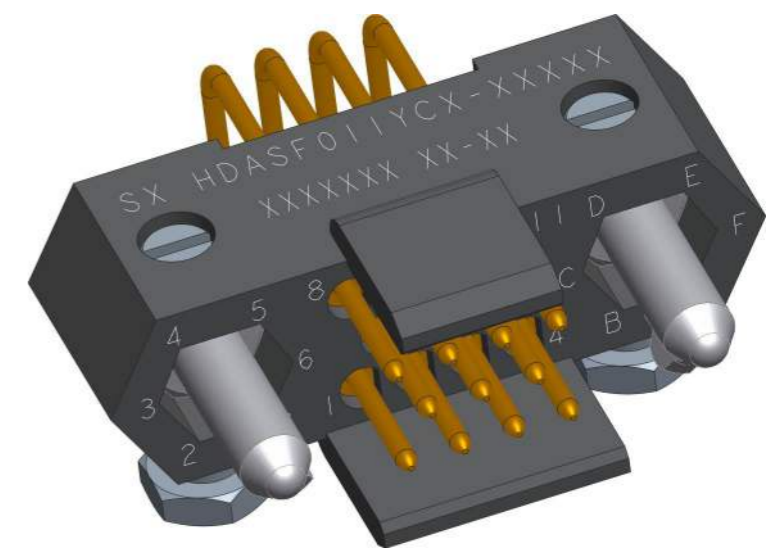
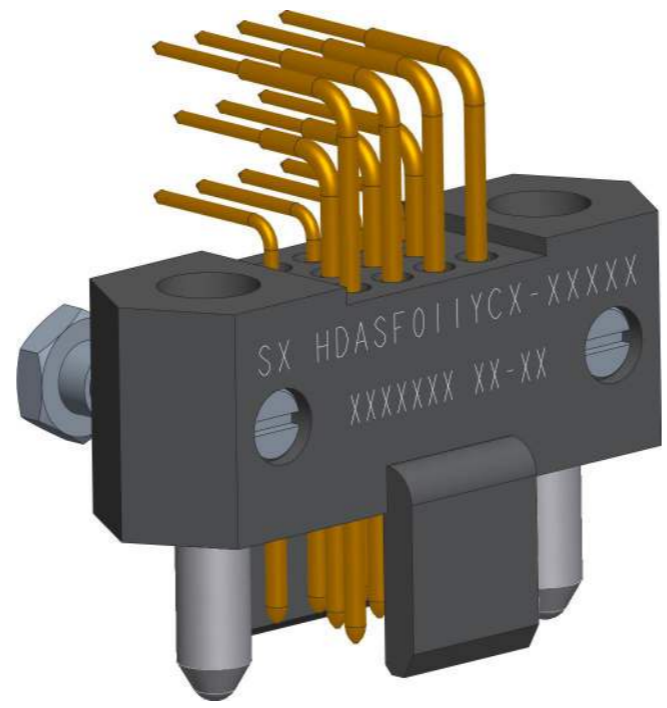
DRAWN BY: S Satpute		UPDATED BY: S Kekan		LAST APPROVED BY: T Carrier	
ALL DIMENSIONS ARE IN MM		AMPHENOL SOCAPEX		ORIGINAL DRAWING DATE: 03/09/2019	CONFIGURATION DATA ARE AVAILABLE IN PDM
SCALE: 4				REV: E	PAGE: 1/2
		B.P. 29 74311 THYZE CEDEX		169-PLC-1475-00	

IN THE CONSTANT PURPOSE OF IMPROVING ITS PRODUCTS, Amphenol Socapex reserves the right to modify any dimension or characteristics.
FM.NPD.0036.THYEZ.PUNE rev C

PCB Layout
Face A
Scale 8



Scale 4



Scale 4

DRAWN BY : S Satpute		UPDATED BY : S Kekan		LAST APPROVED BY : T Carrier	
ALL DIMENSIONS ARE IN MM		AMPHENOL SOCAPEX B.P. 29 74311 THYEZ CEDEX		ORIGINAL DRAWING DATE : 03/09/2019	CONFIGURATION DATA ARE AVAILABLE IN PDM
SCALE : 8				REV : E	PAGE : 2/2
				169-PLC-1475-00	