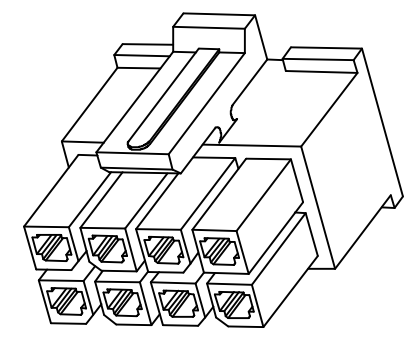
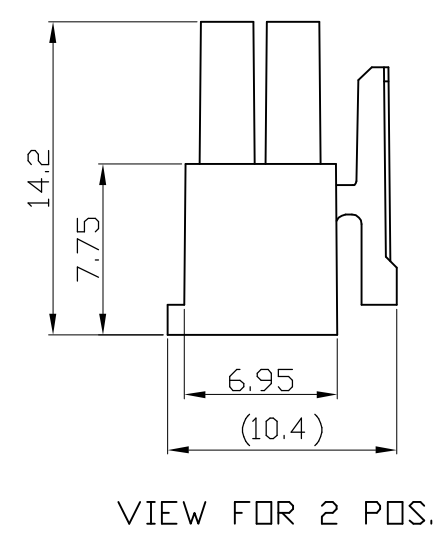
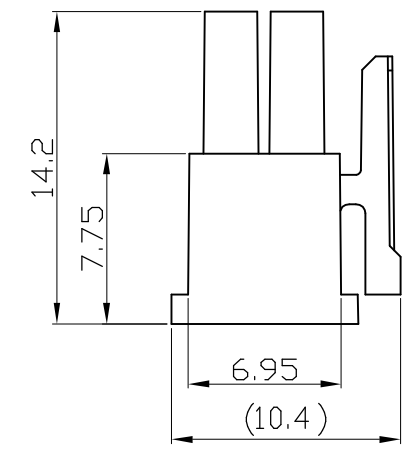
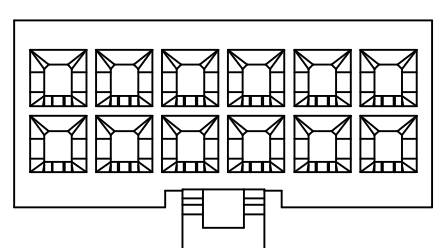
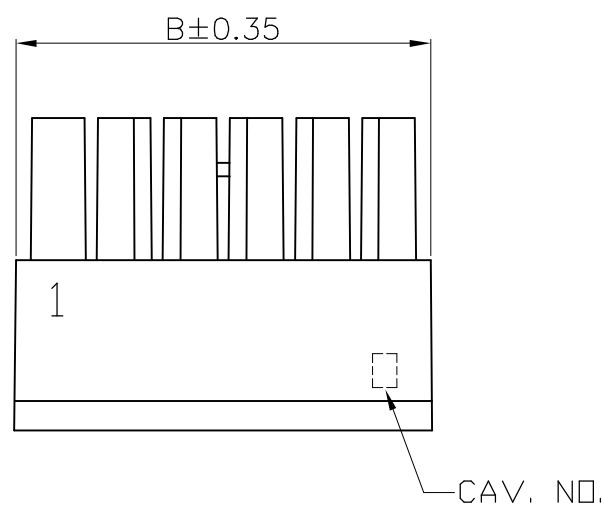
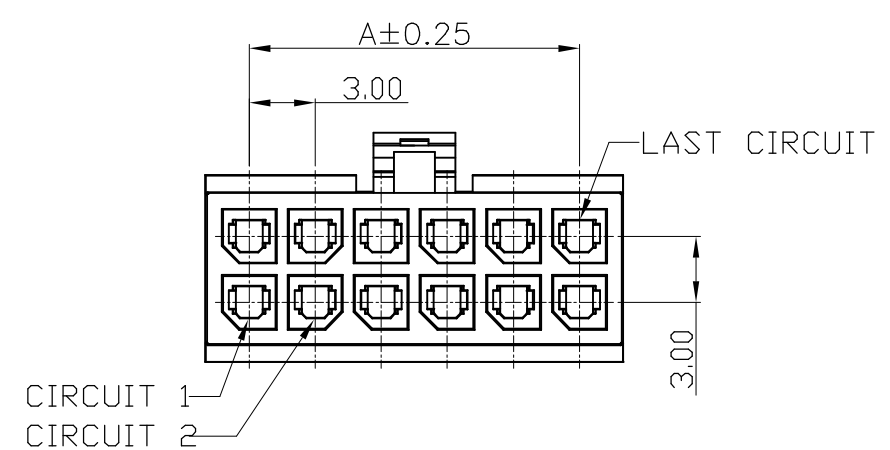


Amphenol FCI

2016 AFCl

©



- NOTE:
- MATERIAL:
HOUSING: HIGH TEMP. NYLON, HALOGEN FREE
UL94V-0, COLOR: OPTIONS
 - REFER GS-20-0399 APPLICATION SPECIFICATION FOR MATING CONNECTOR.
 - PRODUCT SPECIFICATION: GS-12-1291.
 - PACKAGE SPECIFICATION: GS-14-2419 (BULK PACKED)
 - APPLICATION SPECIFICATION: GS-20-0399.
 - LEAD FREE PRODUCTS MEET EUROPEAN UNION DIRECTIVES AND OTHER COUNTRY REGULATIONS AS DESCRIBED IN GS-47-0004
 - PART NUMBER SCHEME:
10132445- XX X LF
POS. CODE: ———— LEAD FREE
02: 2 POS. ———— COLOR,
04: 4 POS. ———— BLANK: BLACK
24: 24 POS.

DIMENSIONAL & PART NO. TABLE:

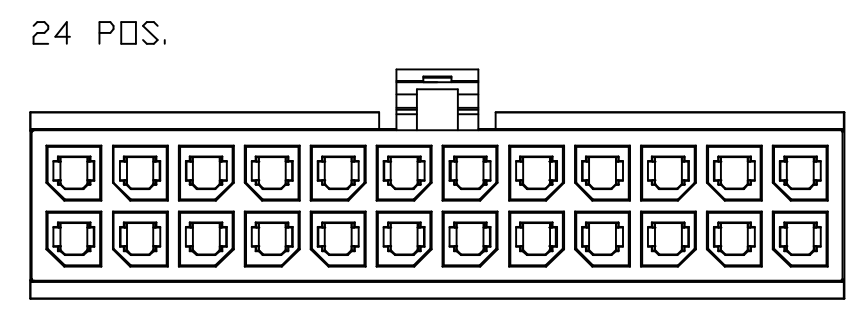
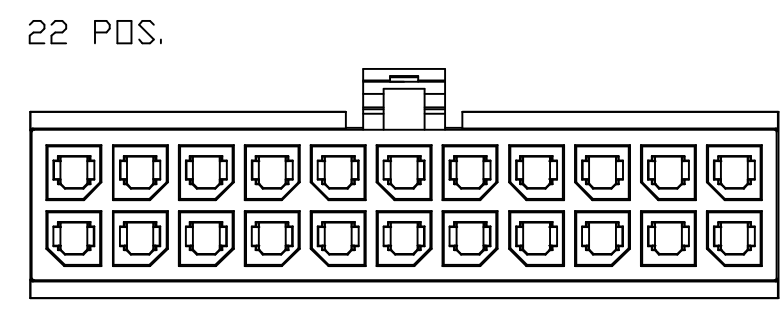
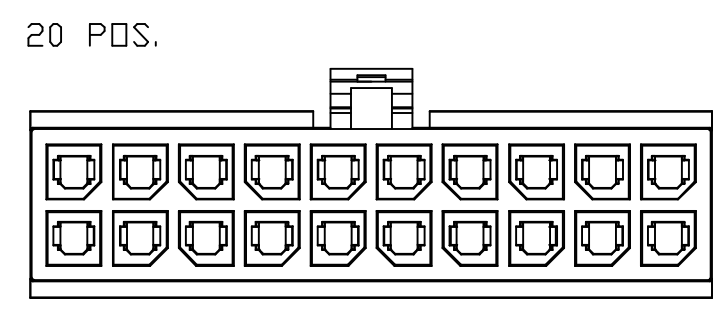
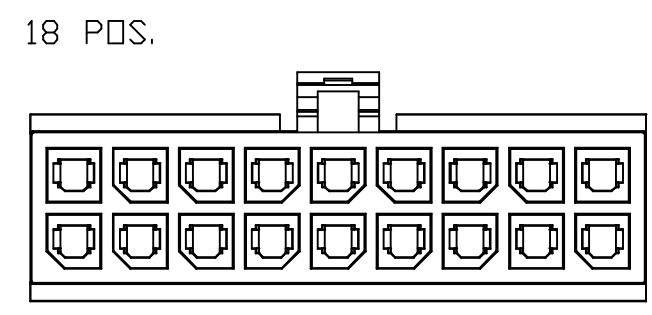
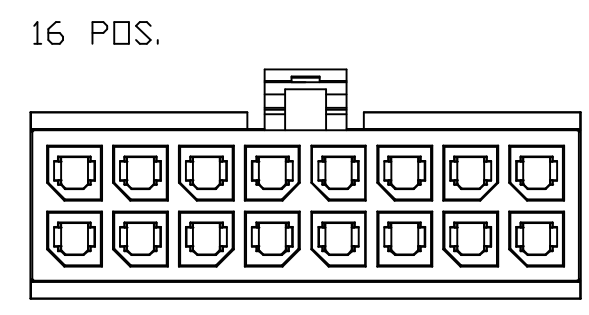
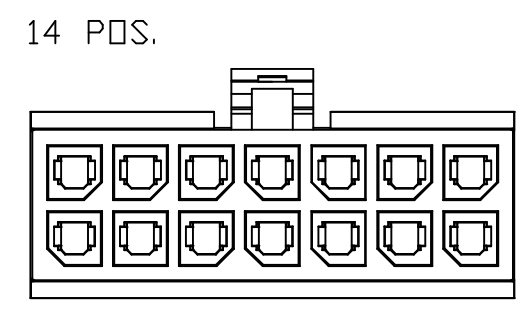
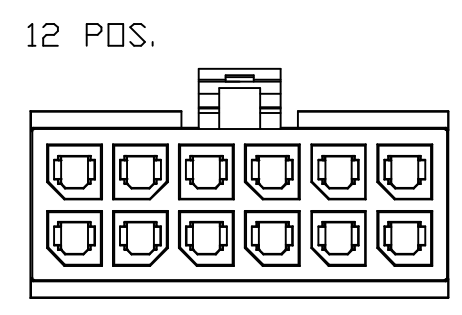
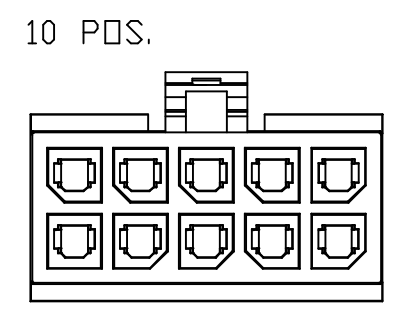
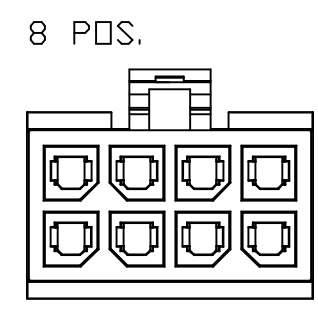
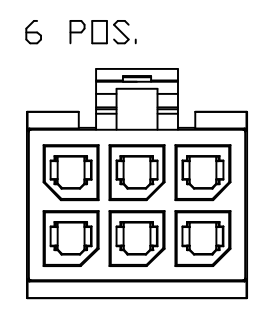
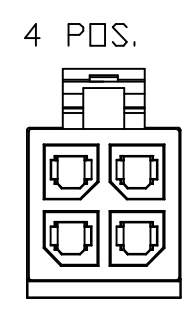
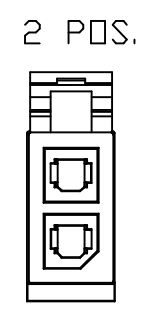
PART NO.	POS	A	B
10132445-02XLF	2	3.85	3.85
10132445-04XLF	4	3.0	6.85
10132445-06XLF	6	6.0	9.85
10132445-08XLF	8	9.0	12.85
10132445-10XLF	10	12.0	15.85
10132445-12XLF	12	15.0	18.85
10132445-14XLF	14	18.0	21.85
10132445-16XLF	16	21.0	24.85
10132445-18XLF	18	24.0	27.85
10132445-20XLF	20	27.0	30.85
10132445-22XLF	22	30.0	33.85
10132445-24XLF	24	33.0	36.85

mat'l. code		surface		tolerance		projection		product family	
		ISO 1302		ISO 406 ISO 1101		mm		MINITEK PWR3.0 HCC	
ltr		ecn no		dr		date		title	
A				TAI		2015-02-25		MINITEK PWR3.0 REC. HSG	
B		ELX-N-28240		TONY		2017-10-24		D/R HIGH CURRENT	
C		ELX-I-43460		ASLAM		2022-01-21			
				dr		KENNY TAI		2015-02-03	
				enr		AKHIL RAJAN		2022-01-21	
				chr		MITHUN PAUL		2022-01-21	
				app		SPK		2022-01-21	
sheet index		revision sheet		C		C		dwg no	
				1		2		sheet 1 of 2	
								size	
								A3	
								type	
								Product Customer Drawing	



Amphenol
FCI

© 2016 AFCl



mat'l. code		surface		tolerance		projection		product family	
		ISO 1302		ISO 406 ISO 1101				MINITEK PWR3.0 HCC	
ltr		ecn no		dr		date		title	
								MINITEK PWR3.0 REC. HSG	
				angles		linear		D/R HIGH CURRENT	
				0°±3'		.0±.50		mm	
						.00±.30		scale N.T.S	
						.000±.20		dwg no	
				dr		KENNY TAI 2015-02-03		sheet 2 of 2	
				enr		AKHIL RAJAN 2022-01-21		10132445	
				chr		MITHUN PAUL 2022-01-21		A3	
				app		SPK 2022-01-21		type	
								Product Customer Drawing	
sheet index		revision sheet		C 1		C 2			

A

B

C

D

A

B

C

D

1

2 3

4

5

6

1

2

3

4

5

6