

6

5

4

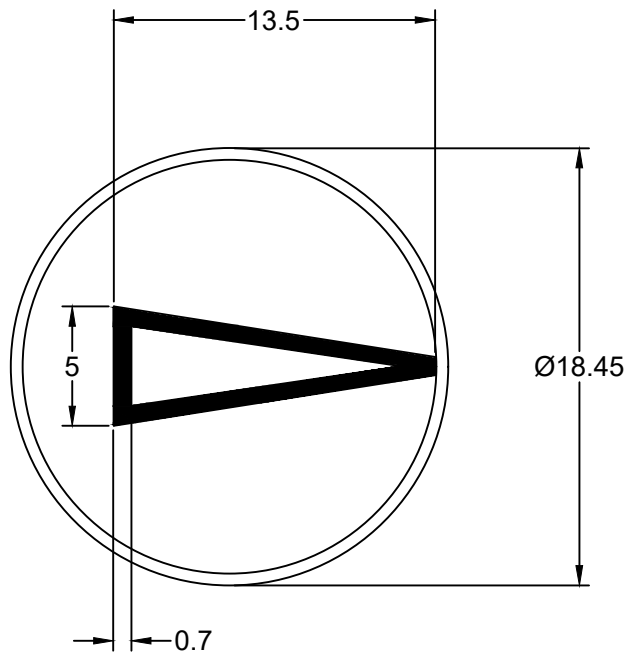
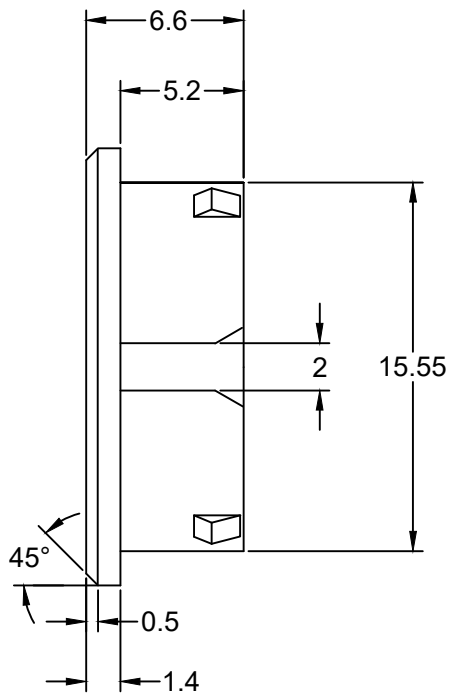
3

2

1

MATERIAL: Polyamide 6

RoHS  
COMPLIANT



ORDERING CODE:  
30-21-03X

CAP COLOR (X)  
 1=LT GRAY  
 2=GRAY  
 3=BLACK  
 4=RED  
 5=BLUE  
 6=YELLOW  
 7=GREEN

REVISIONS
CHANGE
CHK
CHK
APPR
REV
DATE

TOLERANCE UNLESS OTHERWISE SPECIFIED	
X ± 1	
X.X ± 0.4	
X.XX ± 0.13	
DRAWN BY: DF	DATE: 4/25/05
CHECK BY:	DATE:
APPR BY:	DATE:

<b>Power Dynamics, Inc.</b>		
Phone: 973 560-0019 Whippary, New Jersey Fax: 973 560-0076		
PART: STANDARD CAP WITH ARROW 21mm DIAMETER CAP		
PART #: 30-21-03X		SHEET 1 of 1
SIZE: A	ALL DIMENSIONS FOR REFERENCE ONLY	REV:
SCALE: NTS	DIMENSIONS ARE IN MILLIMETERS	

6

5

4

3

2

1