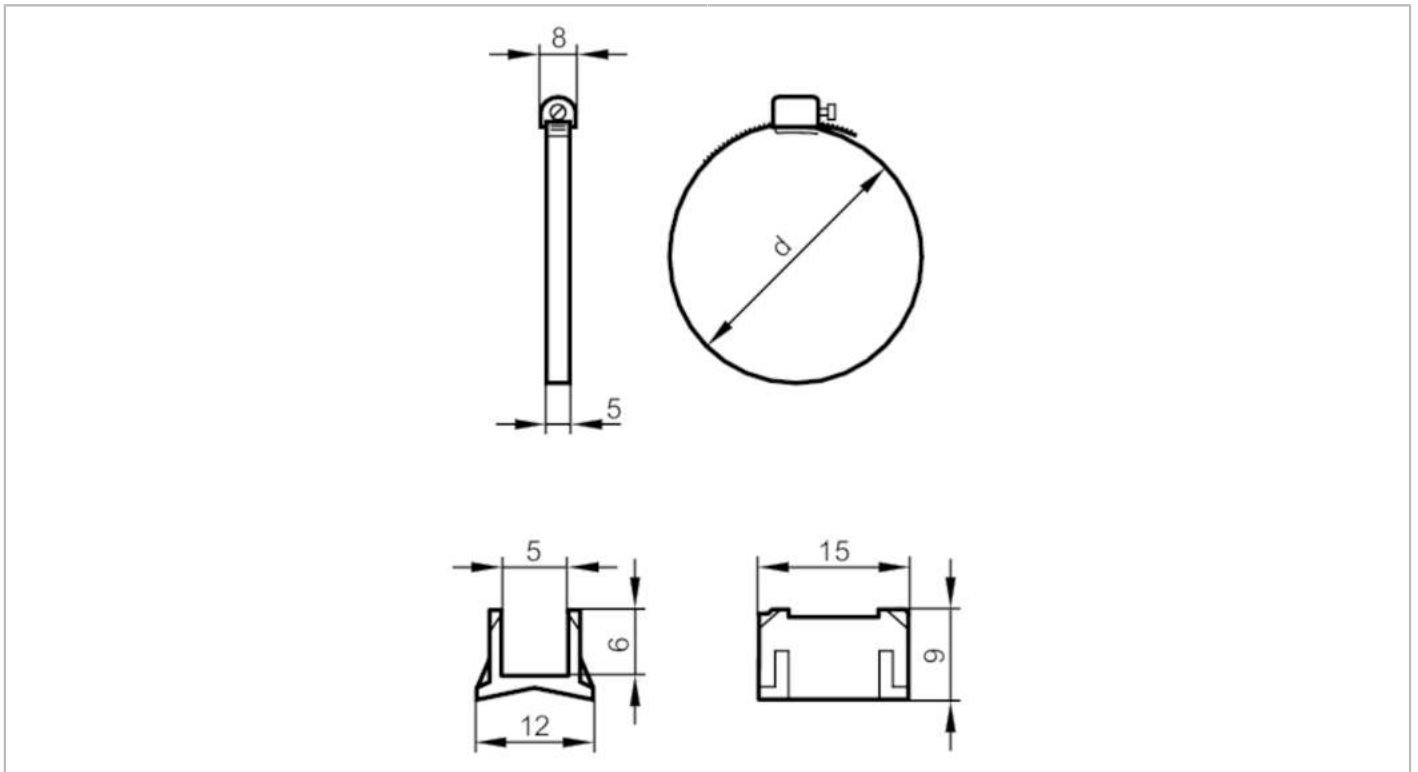


# E11818



## Fixing strap for clean-line cylinders

FIXING STRAP CLEAN-LINE CYL



### Application

Design

for types MKT

### Mechanical data

Weight

[g]

6.8

Dimensions

[mm]

Ø 25

Materials

Adapter: PA; fixing strap: stainless steel (1.4305 / 303)

Piston diameter

[mm]

25...32

Clamping range

[mm]

28...39

### Accessories

Items supplied

Adapter: 1x, for types, MKT

Fixing strap for clean-line cylinders: 1x

### Remarks

Pack quantity

1 pcs.