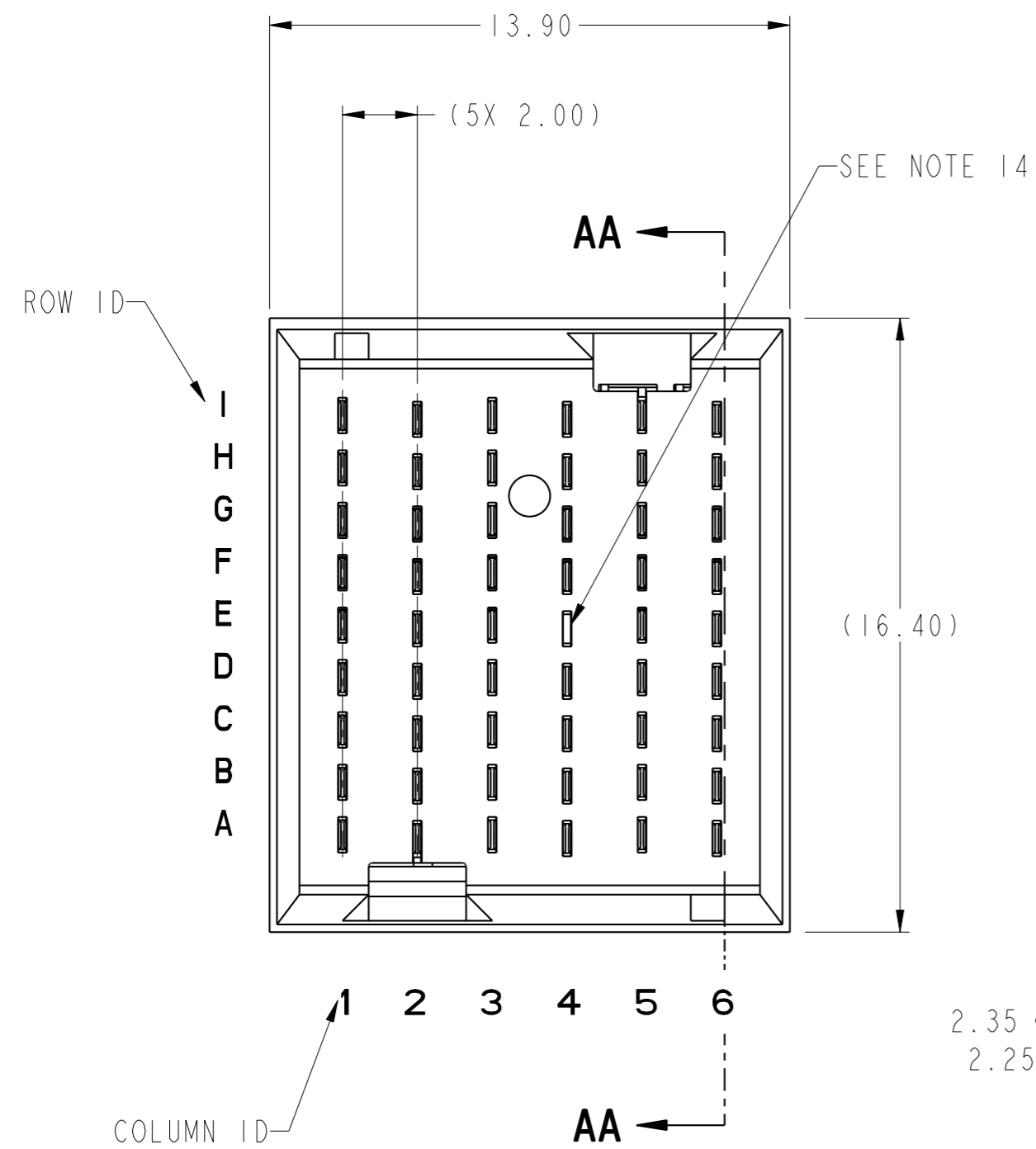
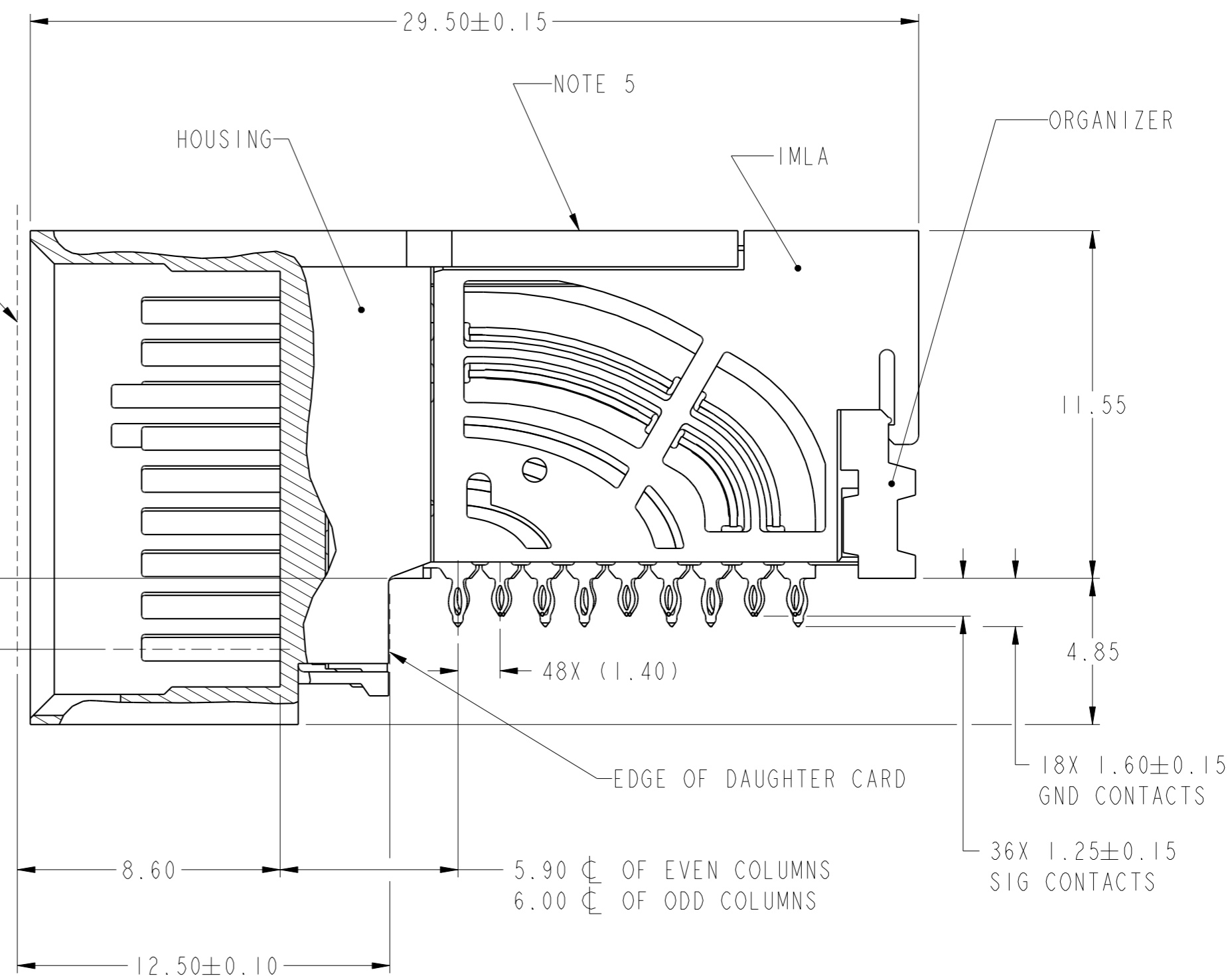


PRODUCT NUMBER  
SEE SHEET 3

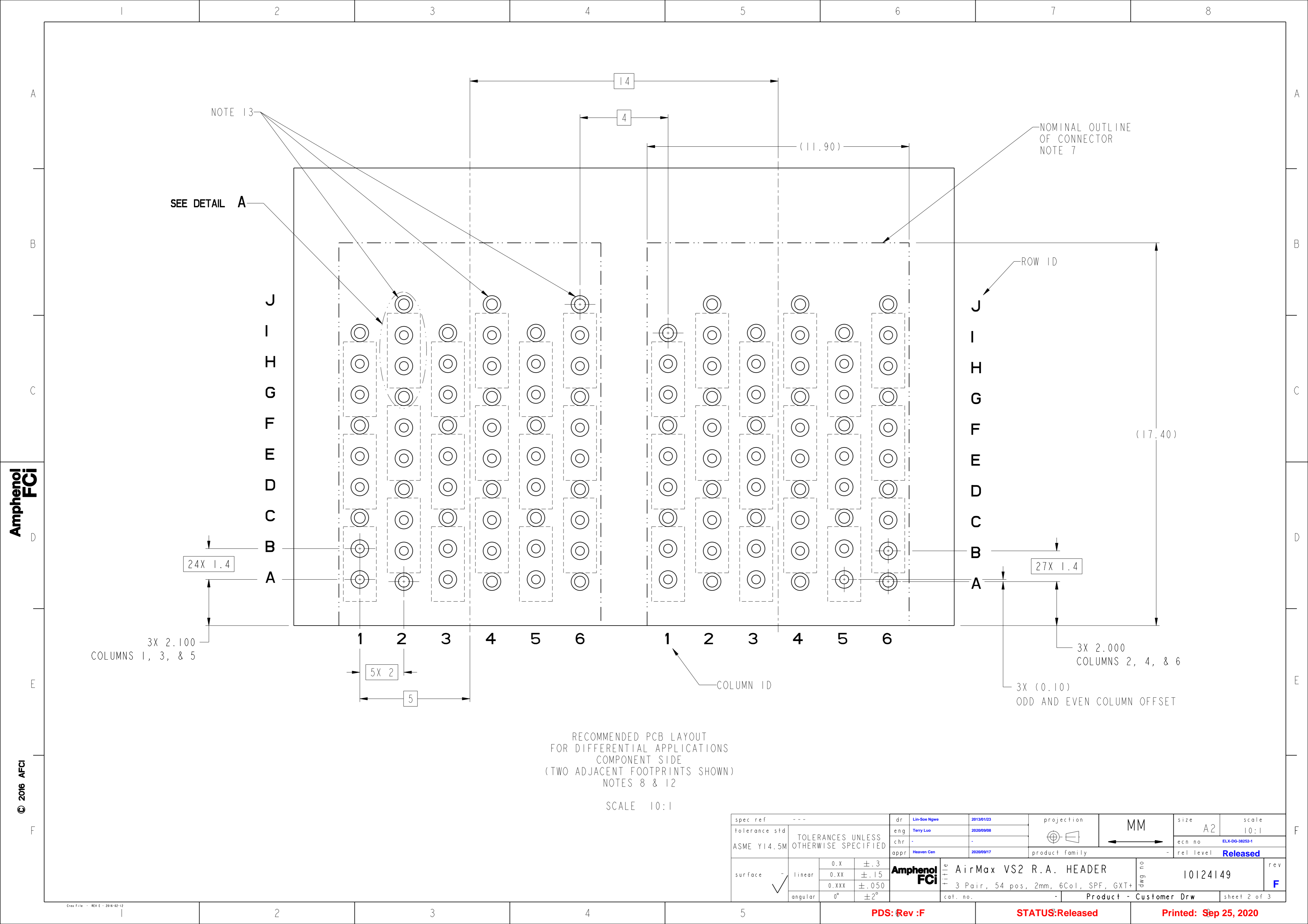


2.35  $\phi$  OF EVEN COLUMNS  
2.25  $\phi$  OF ODD COLUMNS



SECTION AA-AA

spec ref	---	dr	Lin-Soo Ngwe	2013/01/23	projection	MM	size	A2	scale	6:1											
tolerance std	ASME Y14.5M	eng	Terry Luo	2020/09/08			ecn no	ELX-DG-38252-1	rel level	Released											
TOLERANCES UNLESS OTHERWISE SPECIFIED		chr	-	apppr			Heaven Cen	2020/09/17		product family	AirMax VS2										
surface	<table border="1"> <tr> <td>linear</td> <td>0.X</td> <td>±.3</td> </tr> <tr> <td></td> <td>0.XX</td> <td>±.15</td> </tr> <tr> <td></td> <td>0.XXX</td> <td>±.050</td> </tr> <tr> <td>angular</td> <td>0°</td> <td>±2°</td> </tr> </table>	linear	0.X	±.3		0.XX	±.15		0.XXX	±.050	angular	0°	±2°			<b>Amphenol FCI</b> title AirMax VS2 R.A. HEADER 3 Pair, 54 pos, 2mm, 6Col, SPF, GXT+		cat. no. - Product - Customer Drw	rev no 10124149	rev F	sheet 1 of 3
linear	0.X	±.3																			
	0.XX	±.15																			
	0.XXX	±.050																			
angular	0°	±2°																			



NOTE 13  
SEE DETAIL A

NOMINAL OUTLINE OF CONNECTOR NOTE 7

ROW ID

COLUMN ID

24X 1.4

27X 1.4

3X 2.100  
COLUMNS 1, 3, & 5

3X 2.000  
COLUMNS 2, 4, & 6

5X 2

3X (0.10)  
ODD AND EVEN COLUMN OFFSET

RECOMMENDED PCB LAYOUT  
FOR DIFFERENTIAL APPLICATIONS  
COMPONENT SIDE  
(TWO ADJACENT FOOTPRINTS SHOWN)  
NOTES 8 & 12

SCALE 10:1

spec ref	---	dr	Lin-Soo Ngwe	2013/01/23	projection	MM	size	A2	scale	10:1											
tolerance std	ASME Y14.5M	eng	Terry Luo	2020/09/08			ecn no	ELX-DG-38252-1													
TOLERANCES UNLESS OTHERWISE SPECIFIED		chr	-	appr			Heaven Cen	2020/09/17	rel level	Released											
surface	<table border="1"> <tr> <td>linear</td> <td>0.X</td> <td>±.3</td> </tr> <tr> <td></td> <td>0.XX</td> <td>±.15</td> </tr> <tr> <td></td> <td>0.XXX</td> <td>±.050</td> </tr> <tr> <td>angular</td> <td>0°</td> <td>±2°</td> </tr> </table>	linear	0.X	±.3		0.XX	±.15		0.XXX	±.050	angular	0°	±2°			<b>title</b> AirMax VS2 R.A. HEADER 3 Pair, 54 pos, 2mm, 6Col, SPF, GXT+		<b>cat. no.</b> -	<b>product family</b> -	<b>Product - Customer Drw</b>	<b>sheet 2 of 3</b>
linear	0.X	±.3																			
	0.XX	±.15																			
	0.XXX	±.050																			
angular	0°	±2°																			
		<b>Amphenol FCI</b>		<b>title</b> AirMax VS2 R.A. HEADER 3 Pair, 54 pos, 2mm, 6Col, SPF, GXT+		<b>cat. no.</b> -	<b>product family</b> -	<b>Product - Customer Drw</b>	<b>sheet 2 of 3</b>												

PDS: Rev :F

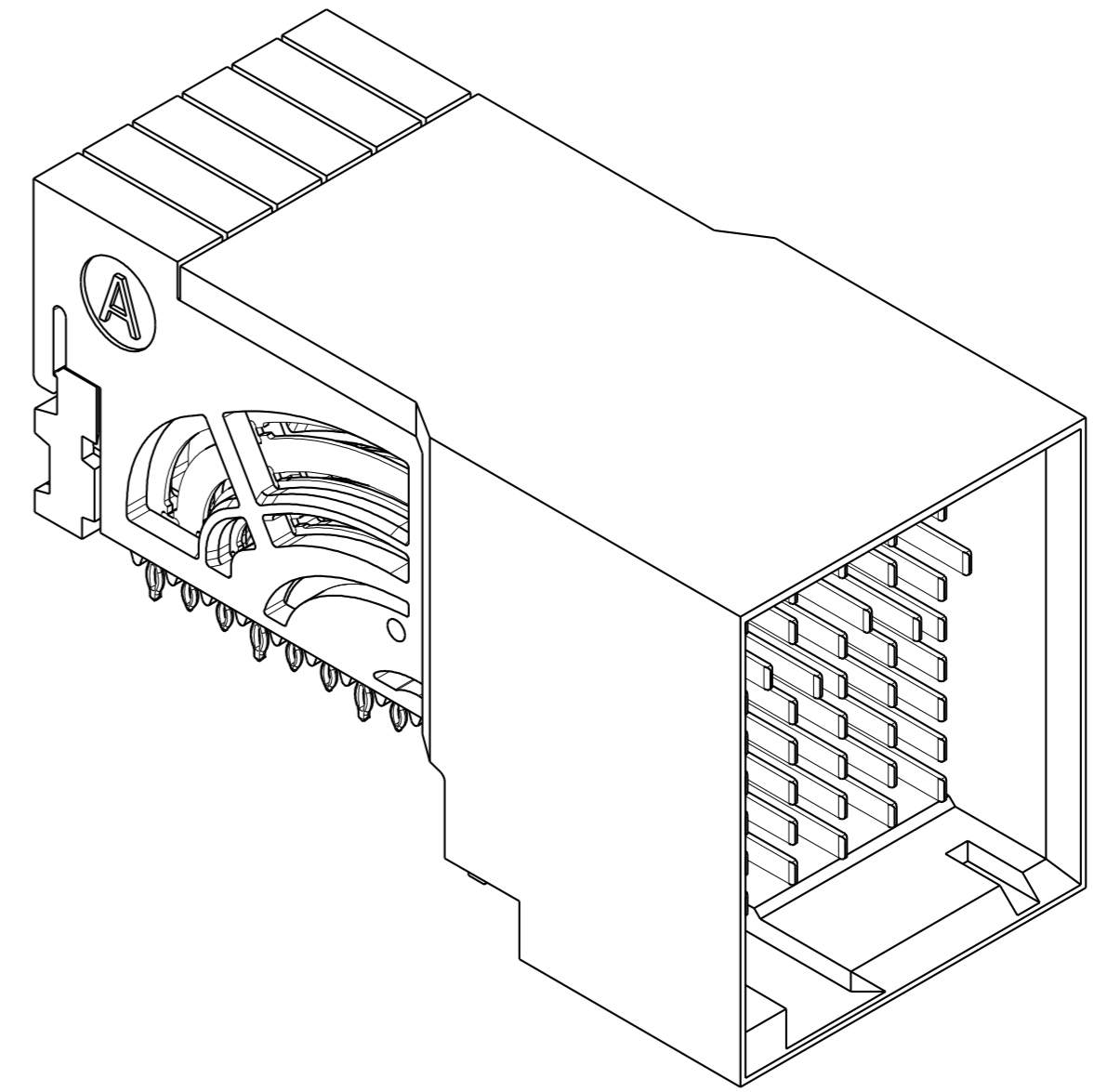
STATUS:Released

Printed: Sep 25, 2020

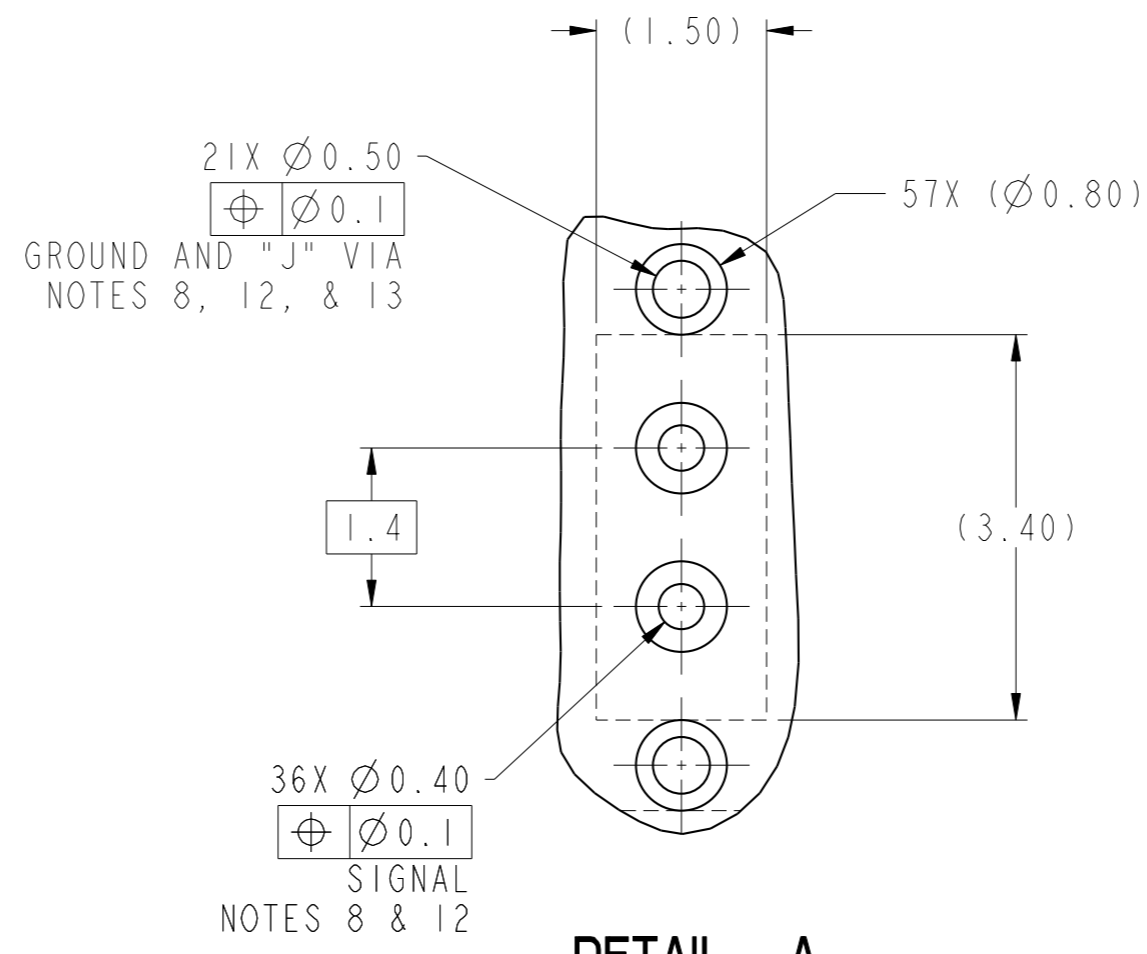
Amphenol FCI

© 2016 APCI

PRODUCT NUMBER	PRESS-FIT TAIL PLATING TYPE	SHORT DETECT CONTACT	REMARK
10124149-101	TIN/LEAD ALLOY OVER NICKEL	NO	1-SIDE PLATING (CUSTOMER SPECIAL)
10124149-101LF	TIN OVER NICKEL (LEAD FREE)		
10124149-111	TIN/LEAD ALLOY OVER NICKEL	YES (SEE NOTE 14)	
10124149-111LF	TIN OVER NICKEL (LEAD FREE)		
10124149-102	TIN/LEAD ALLOY OVER NICKEL	NO	2-SIDE PLATING
10124149-102LF	TIN OVER NICKEL (LEAD FREE)		
10124149-112	TIN/LEAD ALLOY OVER NICKEL	YES (SEE NOTE 14)	
10124149-112LF	TIN OVER NICKEL (LEAD FREE)		



10124149-101 OR -101LF



DETAIL A SCALE 15:1

- 1 - CONNECTOR MATERIALS:  
HOUSING: HIGH TEMP THERMOPLASTIC, NATURAL, UL94-V0  
IMLA PLASTIC: HIGH TEMP THERMOPLASTIC, BLACK, UL94-V0  
CONTACT: COPPER ALLOY  
ORGANIZER: HIGH TEMP THERMOPLASTIC, NATURAL, UL94-V0
- 2 - CONTACT PLATING:  
SEPARABLE INTERFACE:  
PERFORMANCE-BASED PLATING, QUALIFIED TO MEET THE REQUIREMENTS OF FCI PRODUCT SPECIFICATION GS-12-0956 INCLUDING TELCORDIA GR-1217-CORE (NOVEMBER 1995) CENTRAL OFFICE TEST SEQUENCE  
  
PRESS-FIT TAILS: SEE TABLE
- 3 - PRODUCT SPECIFICATION: GS-12-0956
- 4 - APPLICATION SPECIFICATION: GS-20-0305
- 5 - PRODUCT MARKING, (PROTOTYPE, PART NUMBER & LOT CODE), ON THIS SURFACE.
- 6 - POSITIONS "F" OF ODD NUMBERED COLUMNS AND POSITIONS "G" OF EVEN NUMBERED COLUMNS CORRESPOND TO EARLY MATE HEADER PINS.
- 7 - CONNECTOR OUTLINE MAY BE SCREEN PRINTED ONTO CUSTOMER PCB TO BE USED AS A GUIDE FOR CONNECTOR PLACEMENT.
- 8 - REFER TO CUSTOMER DRAWING 10104444 FOR INFORMATION ON PCB HOLE DIAMETERS AND PLATING OPTIONS
- 9 - LEAD FREE PRODUCT MEETS THE EUROPEAN UNION DIRECTIVES & OTHER COUNTRY REGULATIONS AS DESCRIBED IN GS-22-008
- 10 - A  $\triangle$  SYMBOL WILL BE NEXT TO ANY DIMENSION, VIEW, OR NOTE, WHICH HAS BEEN MODIFIED WITH THE CURRENT DRAWING REVISION.
- 11 - PACKAGING MEETS GS-14-920 LEAD FREE LABELING SPECIFICATION.
- 12 - GROUND CONTACTS (C, F, & I IN ODD COLUMNS AND A, D, & G IN EVEN COLUMNS) REQUIRE ( $\varnothing 0.50$ ) FINISHED HOLES. SIGNAL LOCATIONS REQUIRE ( $\varnothing 0.40$ ) FINISHED HOLES
- 13 - THESE OUTER VIAS (J) ARE OPTIONAL. WHILE NO CONNECTOR EONS ARE PRESSED INTO THESE HOLES WE RECOMMEND ( $\varnothing 0.500$ ) FINISHED HOLES AT THESE LOCATIONS TO PROVIDE GROUND SYMMETRY THROUGH THE PCB.
- 14 - MATING PIN E4 HAS 0.5mm LESS NOMINAL WIPE THAN THE SHORTEST PIN.

spec ref	---	dr	Lin-Soo Ngwe	2013/01/23	projection	MM	size	A2	scale	10:1		
tolerance std	ASME Y14.5M	eng	Terry Luo	2020/09/08	chr	-	ecn no	ELX-DG-38252-1	rel level	Released		
TOLERANCES UNLESS OTHERWISE SPECIFIED		appr	Heaven Cen	2020/09/17	product family	-	rel level	Released				
surface	linear	0.X	$\pm .3$	Amphenol FCI	title		AirMax VS2 R.A. HEADER		dwg no	10124149	rev	F
		0.XX	$\pm .15$		3 Pair, 54 pos, 2mm, 6Col, SPF, GXT+							
		0.XXX	$\pm .050$		cat. no.		Product - Customer Drw		sheet 3 of 3			
	angular	0°	$\pm 2^\circ$									