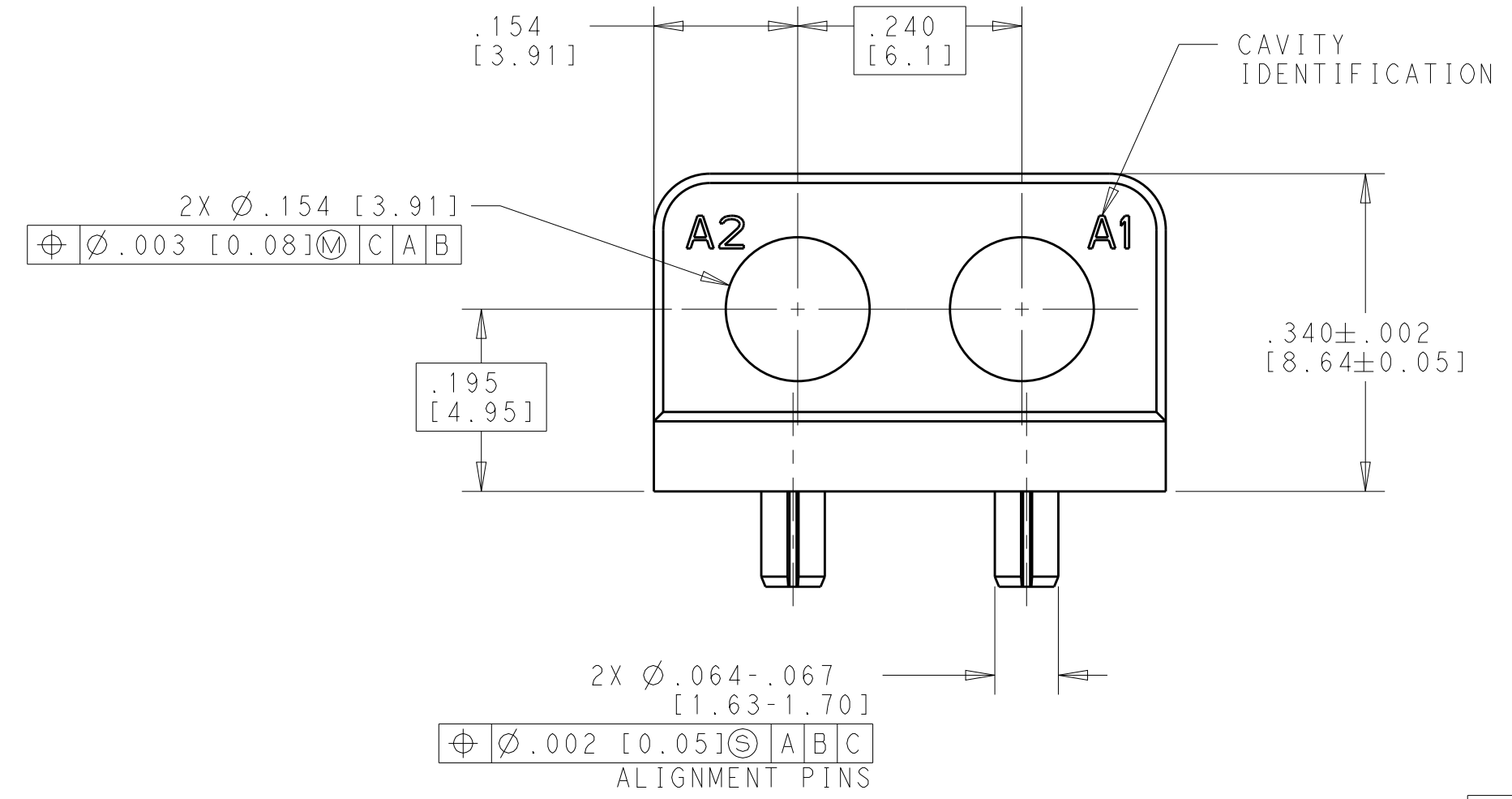
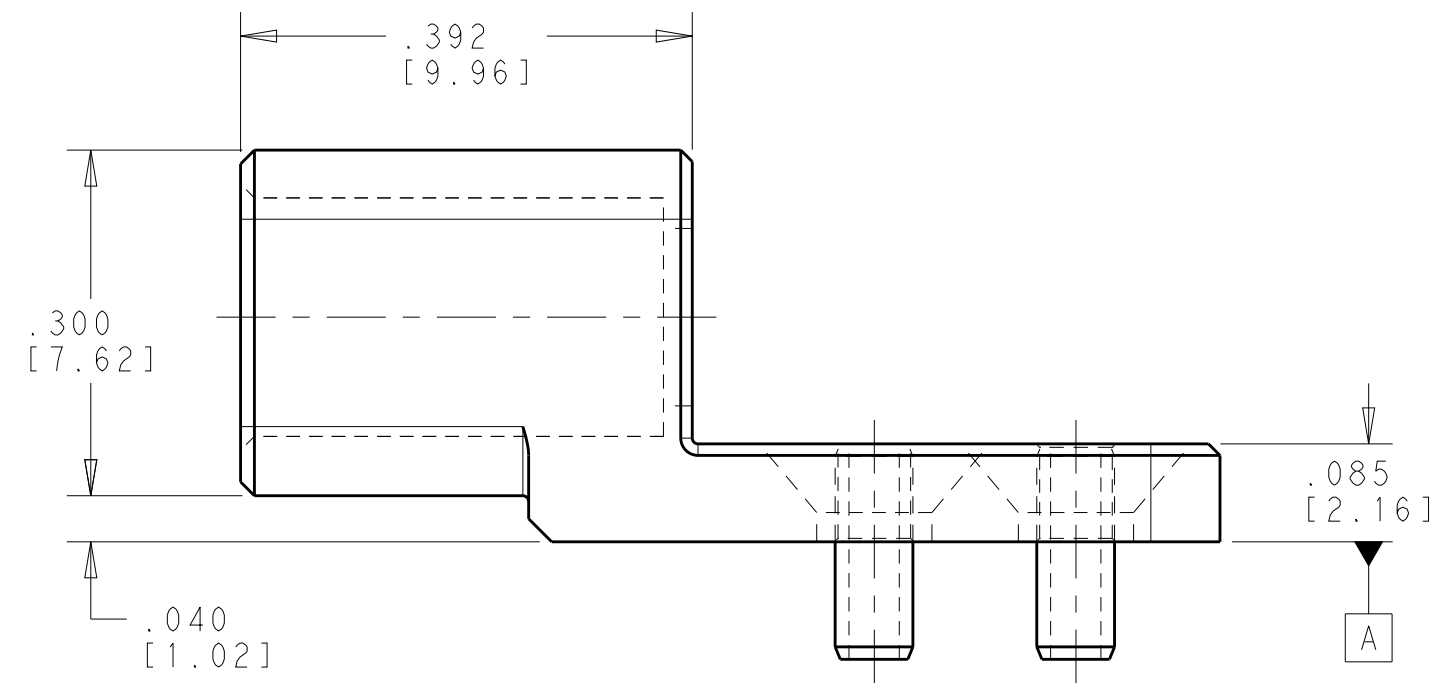
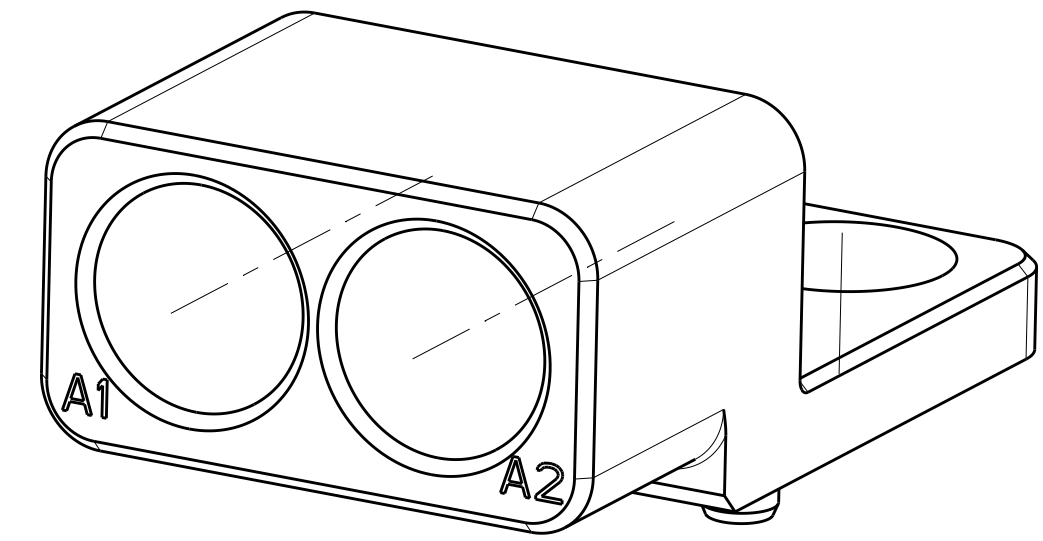
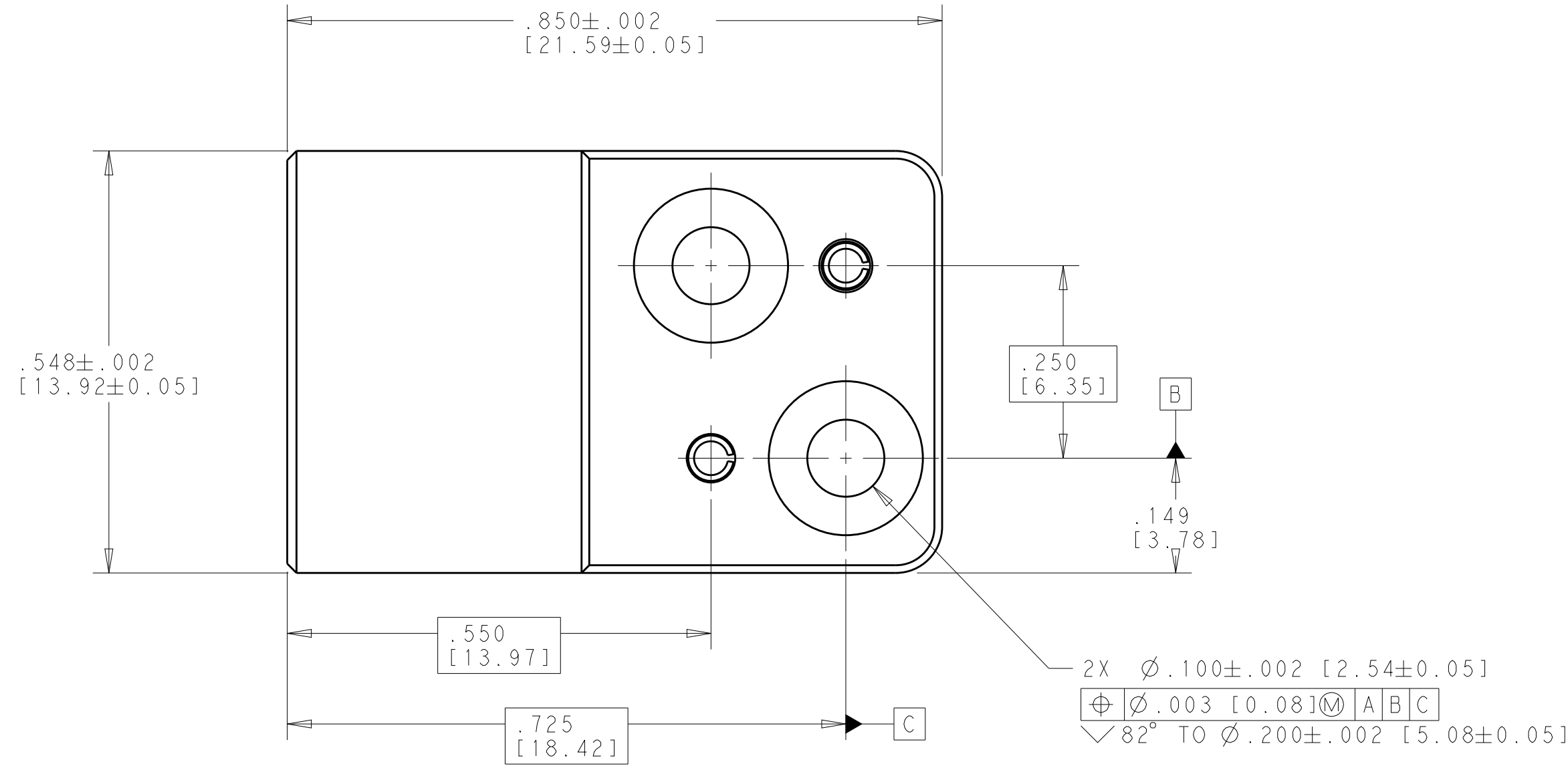


THIS DRAWING IS UNPUBLISHED. RELEASED FOR PUBLICATION 20
 © COPYRIGHT 20 BY - ALL RIGHTS RESERVED.

REVISIONS				
P	LTR	DESCRIPTION	DATE	APVD
B		REV PER ECO 16-010602	7-29-16	CT DW



2221705-4
 PART NUMBER

COMPONENT	MATERIAL	FINISH
RF MODULE BODY	STAINLESS STEEL, TYPE 303 PER UNS S 30300	PASSIVATED PER, AMS QQ-P-35
SPRING PIN (ALIGNMENT)	WORK HARDENED NICKEL STAINLESS STEEL	PASSIVATED PER, AMS QQ-P-35

THIS DRAWING IS A CONTROLLED DOCUMENT.

DIMENSIONS: INCHES [mm]	TOLERANCES UNLESS OTHERWISE SPECIFIED: 0 PLC ±.1 1 PLC ±.02 2 PLC ±.005 3 PLC ±.0005 4 PLC ANGLES ±.0005	DWN S.T. Morley 26 JAN 2015 CHK S.T. Morley 26 JAN 2015 APVD S.T. Morley 26 JAN 2015	TE Connectivity NAME 2 POSITION, SINGLE ROW RF DAUGHTER CARD MODULE SIZE A2 CAGE CODE - DRAWING NO. C-2221705 RESTRICTED TO - SCALE 6:1 SHEET 1 OF 1 REV B
MATERIAL SEE TABLE	FINISH SEE TABLE	PRODUCT SPEC TBD APPLICATION SPEC TBD WEIGHT 7.8 g Customer Drawing	