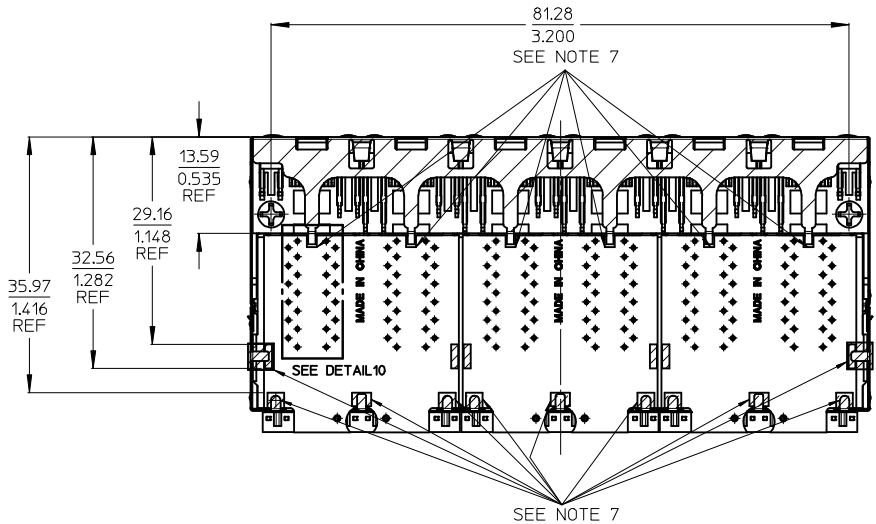
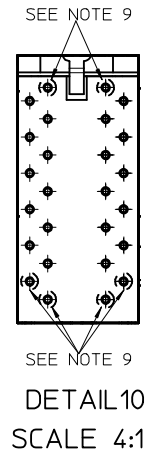
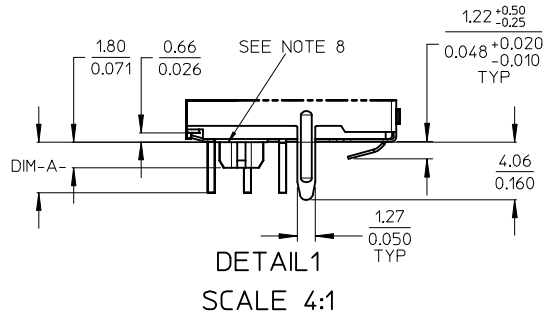
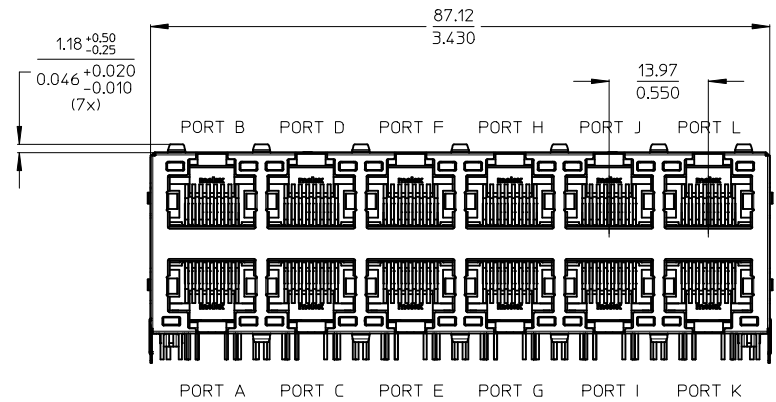
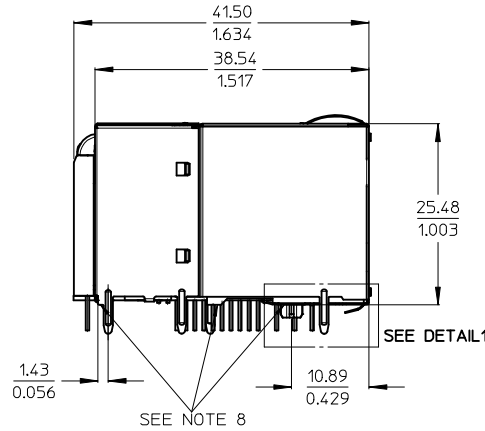


GIGABIT 12 PORT MAGNETIC JACK WITH LED'S

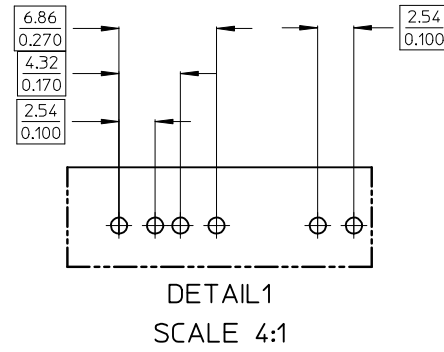
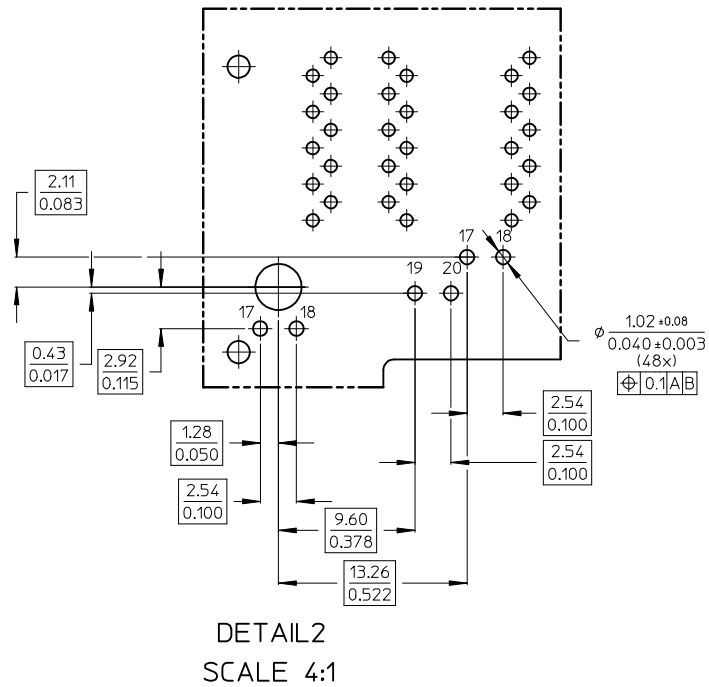
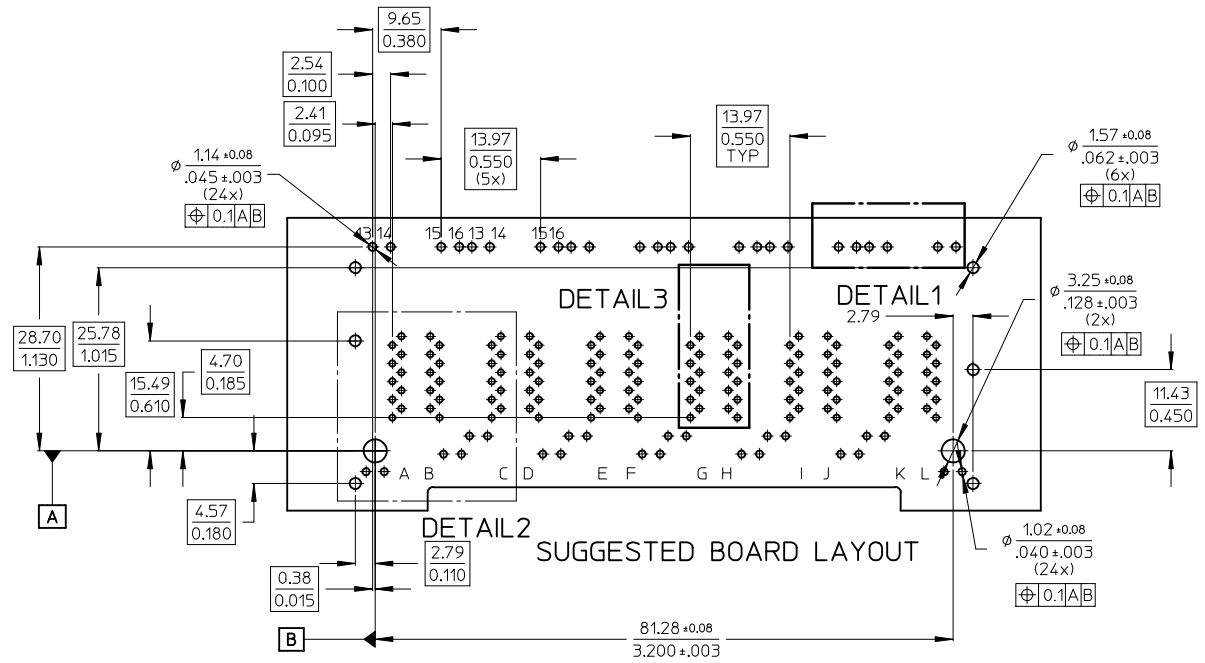
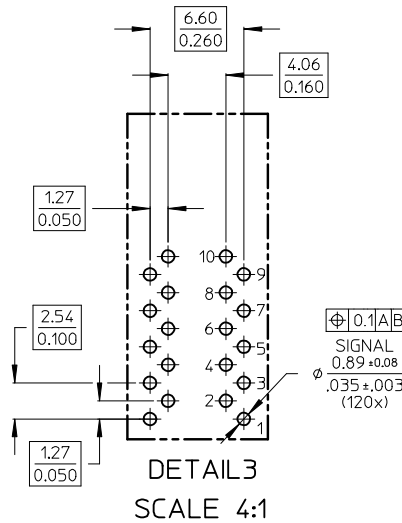
PART NUMBER	UPPER & LOWER LED LEFT	UPPER & LOWER LED RIGHT	DIM-A-
85734-1013	COLOUR 1 YELLOW COLOUR 2 GREEN	COLOUR 1 YELLOW COLOUR 2 GREEN	2,67 MM 0,11 INCH

ADDITIONAL LED COLOURS AND CONFIGURATIONS AVAILABLE ON REQUEST



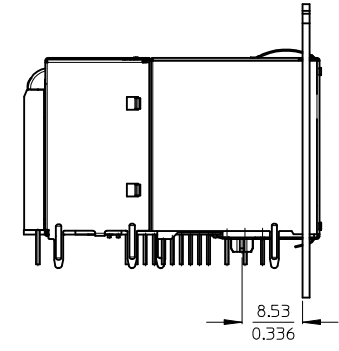
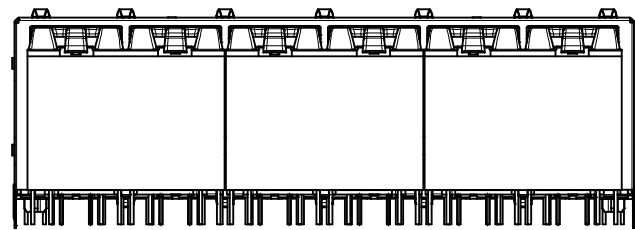
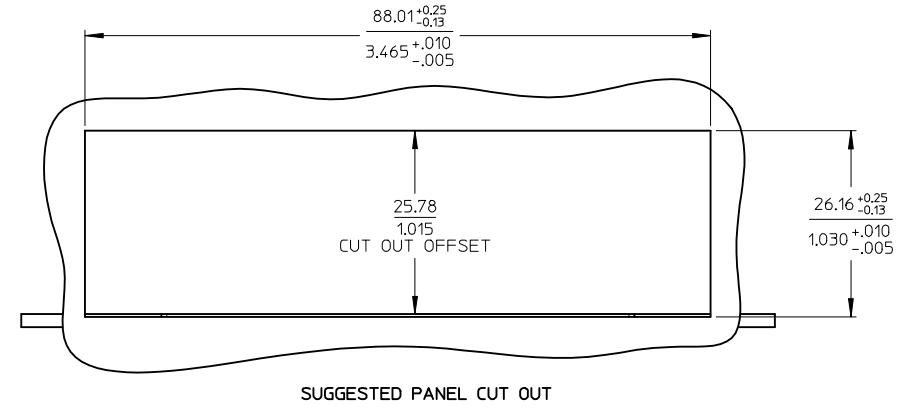
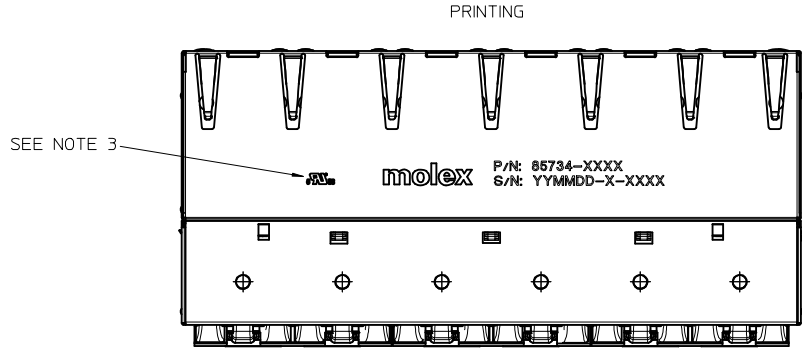
- NOTES:
- 1 - SHIELD MATERIAL: BRASS; PLATING: Ni PRE-PLATING
 - 2 - PLASTIC MATERIAL: POLYESTER (PBT) BLACK, 30%GR, UL 94V-0
 - 3 - TERMINALS MATERIAL: COPPER ALLOY
-BASE FINISH: NICKEL
-CONTACT SURFACE FINISH GOLD OR GOLD FLASH OVER PALLADIUM NICKEL
EXCEEDS PRODUCT REQUIREMENTS BASED ON PS-85731-001
 - 4 - MATING INTERFACE ACCORDING TO IEC 60603-7
 - 5 - PRODUCT SPECIFICATION: PS-85734-001
 - 6 - PACKAGING SPECIFICATION: PK-85731-001
 - 7 - TRACES WITHOUT INSULATION NOT ALLOWED IN THE DASHED AREAS.
(TO AVOID SHORTS TO SHIELD)
 - 8 - STAND OFF TO SYSTEM BOARD
 - 9 - STUBBED PINS -> AVOID TO ROUTE TRACES OR TO PLACE ANY VIAS OR PADS BELOW THESE PINS
 - 10 - FOR MAGNETIC AND LED INFORMATION SEE SPEC PS-85731-001

ENTER DESCRIPTION EC NO: IPG2012-0520 DRWN: JBADER 2013/02/26 CHKD: MMANGARUDOV 2013/07/31 APPR: SSTE INKE 2014/09/03	QUALITY SYMBOLS ▽=0 ▽=0	GENERAL TOLERANCES (UNLESS SPECIFIED)		DIMENSION STYLE MM ONLY		SCALE 2:1	DESIGN UNITS METRIC	THIRD ANGLE PROJECTION
		4 PLACES ± --- ± --- 3 PLACES ± --- ± --- 2 PLACES ± 0.25 ± --- 1 PLACE ± 0.5 ± --- ANGULAR ± .5 °	mm INCH ± --- ± --- ± 0.25 ± --- ± 0.5 ± ---	DRAWN BY MMANGARUDOV	DATE 2011/11/16	TITLE GIGABIT MAGNETIC JACK 2X6 LED		
DRAFT WHERE APPLICABLE MUST REMAIN WITHIN DIMENSIONS	SEE BOM	APPROVED BY SSTE INKE		DATE 2013/01/28		MOLEX MOLEX INCORPORATED		
		MATERIAL NO.		DOCUMENT NO.		SD-85734-001		SHEET NO. 1 OF 4



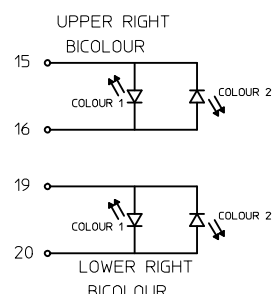
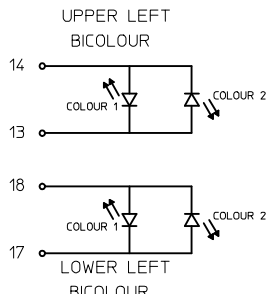
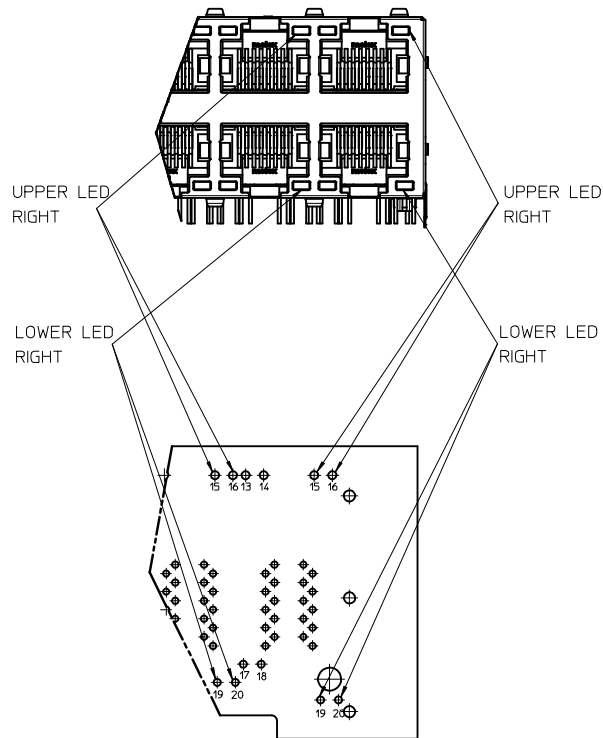
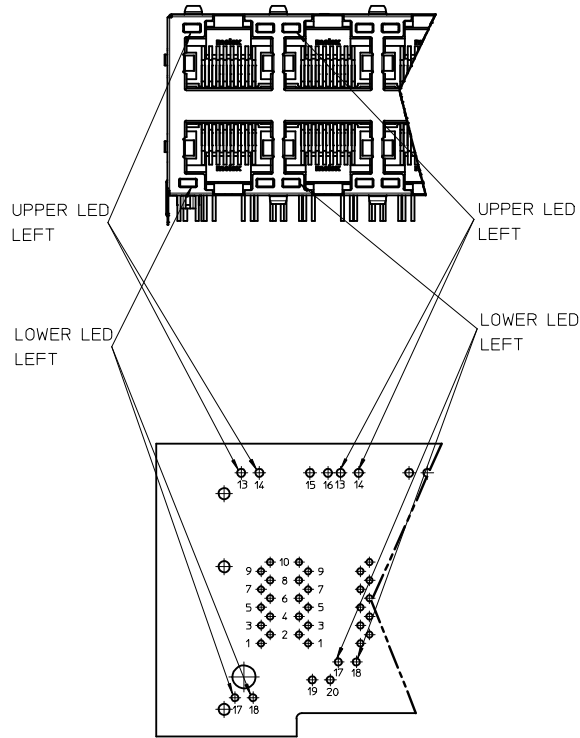
ENTER DESCRIPTION EC NO: IPG2012-0520 DRWN: JBADER 2013/02/26 CHKD: MMANGARUDOV 2013/07/31 APPR: SSTE INKE 2014/09/03	QUALITY SYMBOLS ▽=0 ▽=0	GENERAL TOLERANCES (UNLESS SPECIFIED)		DIMENSION STYLE MM ONLY		SCALE 2:1	DESIGN UNITS METRIC	THIRD ANGLE PROJECTION	
		m	INCH	DRAWN BY MMANGARUDOV	DATE 2011/11/16	TITLE GIGABIT MAGNETIC JACK 2X6 LED	MATERIAL NO. SD-85734-001		
REV C	DESCRIPTION	4 PLACES ± --- ± ---	3 PLACES ± --- ± ---	2 PLACES ± 0.25 ± ---	1 PLACE ± 0.5 ± ---	APPROVED BY SSTE INKE	DATE 2011/11/24	MOLEX INCORPORATED	
		ANGULAR ± .5 °		DRAFT WHERE APPLICABLE MUST REMAIN WITHIN DIMENSIONS		SEE SHEET 1		DOCUMENT NO. SD-85734-001	SHEET NO. 2 OF 4

PRINTING
 LED VERSION
 P/N: 85734-1013
 S/N: YYMMDD-CM-CONSECUTIVE NUMBER



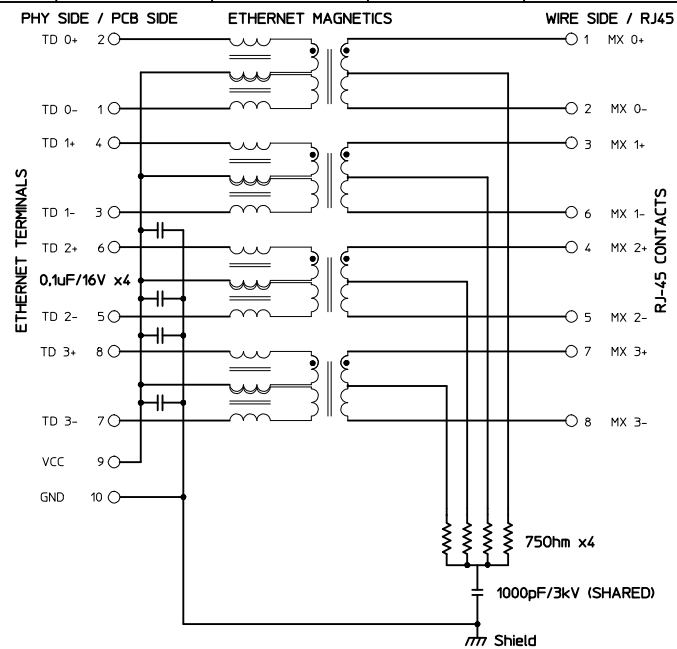
NOTES:
 1 - PRINTING MARKED BY LASER
 2 - INSCRIPTION:
 1st LINE: PART NUMBER
 2nd LINE: DATE CODE (YEAR, MONTH, DAY) - MANUFACTURER ID - CONSECUTIVE NUMBER
 3 - UL LOGO

ENTER DESCRIPTION EC NO: IPG2012-0520 DRWN: JBADER 2013/02/26 CHKD: MMANGARUDOV 2013/07/31 APPR: SSTE INKE 2014/09/03	QUALITY SYMBOLS ▽=0 ▽=0	GENERAL TOLERANCES (UNLESS SPECIFIED)		DIMENSION STYLE MM ONLY		SCALE 2:1	DESIGN UNITS METRIC	THIRD ANGLE PROJECTION	
		mm	INCH	DRAWN BY MMANGARUDOV	DATE 2011/11/16	TITLE GIGABIT MAGNETIC JACK 2X6 LED			
DESCRIPTION C	REV	4 PLACES ± --- ± ---		CHECKED BY JBADER	DATE 2011/11/24	MOLEX INCORPORATED			
		3 PLACES ± --- ± ---		APPROVED BY SSTE INKE	DATE 2013/01/28				
		2 PLACES ± 0.25 ± ---		MATERIAL NO.		DOCUMENT NO.	SHEET NO.		
		1 PLACE ± 0.5 ± ---		SEE SHEET 1		SD-85734-001	3 OF 4		
DRAFT WHERE APPLICABLE MUST REMAIN WITHIN DIMENSIONS		THIS DRAWING CONTAINS INFORMATION THAT IS PROPRIETARY TO MOLEX INCORPORATED AND SHOULD NOT BE USED WITHOUT WRITTEN PERMISSION							



UPPER POSITION	LOWER POSITION	LEFT COLOUR	LED COLOUR
14	18	+	-
13	17	-	+

UPPER POSITION	LOWER POSITION	RIGHT COLOUR	LED COLOUR
15	19	+	-
16	20	-	+



PIN	ETHERNET MAGNETICS
10	GND
9	VCC
8	TD 3+
7	TD 3-
6	TD 2+
5	TD 2-
4	TD 1+
3	TD 1-
2	TD 0+
1	TD 0-

ENTER DESCRIPTION EC NO: IFC2012-0520 DRWN: JBADER 2013/02/26 CHKD: MMANGARDOV 2013/07/31 APPR: SSTEINKE 2014/09/03	QUALITY SYMBOLS 	GENERAL TOLERANCES (UNLESS SPECIFIED)		DIMENSION STYLE MM ONLY	SCALE 2:1	DESIGN UNITS METRIC	THIRD ANGLE PROJECTION
		4 PLACES ± --- ± --- 3 PLACES ± --- ± --- 2 PLACES ± 0.25 ± --- 1 PLACE ± 0.5 ± --- ANGULAR ± .5°	mm INCH ± --- ± --- ± 0.25 ± --- ± 0.5 ± ---	DRAWN BY DATE MMANGARDOV 2011/11/16 CHECKED BY DATE JBADER 2011/11/24 APPROVED BY DATE SSTEINKE 2013/01/28	TITLE GIGABIT MAGNETIC JACK 2X6 LED	MOLEX INCORPORATED	
DRAFT WHERE APPLICABLE MUST REMAIN WITHIN DIMENSIONS		THIS DRAWING CONTAINS INFORMATION THAT IS PROPRIETARY TO MOLEX INCORPORATED AND SHOULD NOT BE USED WITHOUT WRITTEN PERMISSION		SHEET NO. 4 OF 4			