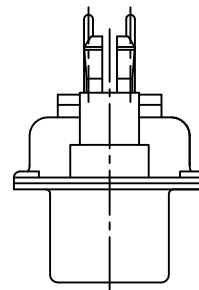
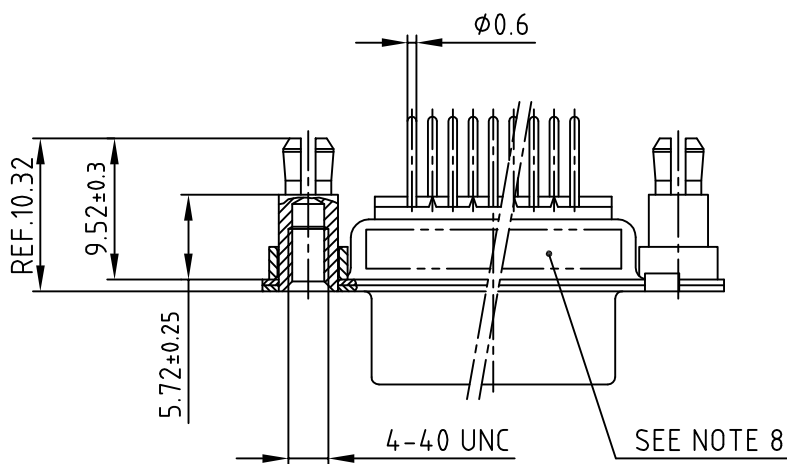
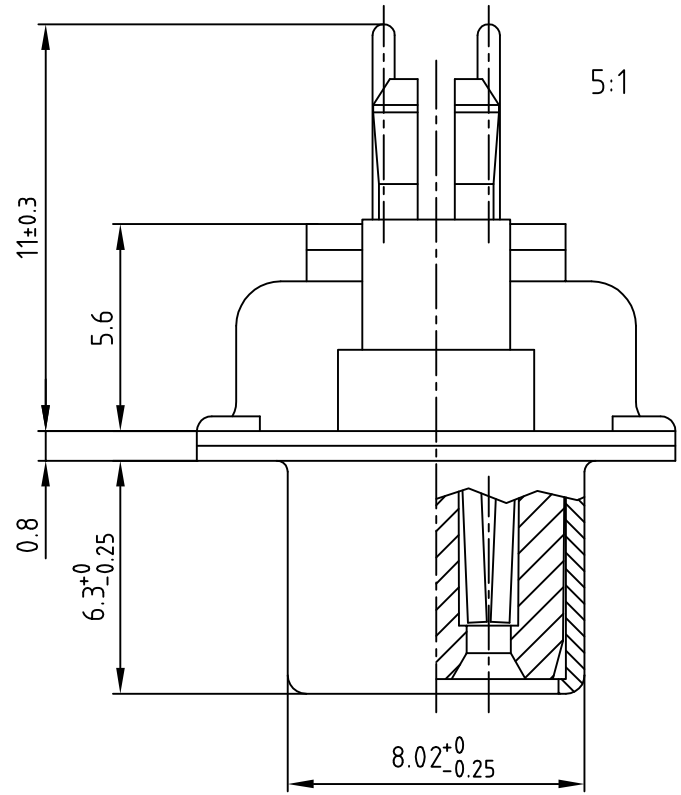
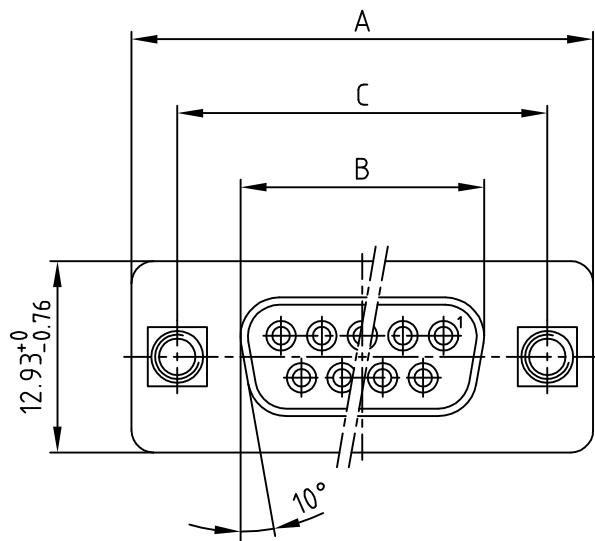


used for: D-SUB



POS.	A -0.76	B -0.25	C	Part NO.
9	31.19	16.46	25.00 <sup>+0.12</sup> / <sub>-0.13</sub>	DSS1XSRAA44X
15	39.52	24.79	33.30 <sup>+0.15</sup> / <sub>-0.1</sub>	DSS2XSRAA44X
25	53.42	38.50	47.04 <sup>+0.13</sup>	DSS3XSRAA44X
37	69.70	54.96	63.50 <sup>±0.13</sup>	DSS4XSRAA44X

NOTES:

- METALSHELLS: STEEL; min. 320µin TIN
- INSULATORS: PBT GF UL 94 V-0; BLACK
- CONTACTS: COPPER ALLOY  
PLATING: 8µin HARD GOLD over min. 50µin NICKEL
- THREADED SPACER CLIPS: COPPER ALLOY; min. 200µin TIN over 80µin NICKEL  
PCB-HOLE:  $\phi 3.1 \pm 0.1$ ; PCB THICKNESS 2.3mm
- COLLARS: COPPER ALLOY; min. 200µin TIN over 80µin NICKEL
- P.C.B. HOLE DRILLINGS ON DRAWING NO.: 16K111UA
- MAXIMUM TORQUE VALUE FOR THREAD: 6 in.LB
- CONNECTOR IS PART MARKED: PART-NO. CONEC ABC

Directive 2002/95/EC RoHS compliant

APPROVAL # FREIGABE # DEBLOCAGE # AUTORIZACION # APPROVAL	
CUSTOMER APPROVAL DATE:	
NAME:	TITLE:
COMPANY NAME:	
APPROVAL # FREIGABE # DEBLOCAGE # AUTORIZACION # APPROVAL	

THIS DRAWING MAY NOT BE COPIED OR REPRODUCED IN ANY WAY, AND MAY NOT BE PASSED ON TO A THIRD PARTY WITHOUT WRITTEN PERMISSION.  
 OWNERSHIP AND COPYRIGHT OF CONEC GmbH  
 DO NOT ALTER CAD DRAWING BY HAND

rev.	description	date	name	tolerance	dim. in mm
a	Original				

scale:	2:1 (5:1)	
material:	SEE NOTES	
title:	D-SUB FEMALE 9-37pos. PIN VERSION with threaded spacer clip	
dwg no:	AutoCAD 2000	DIN-A
	16K1A1117	3
part no:	SEE TABLE	
		sh:1/1

