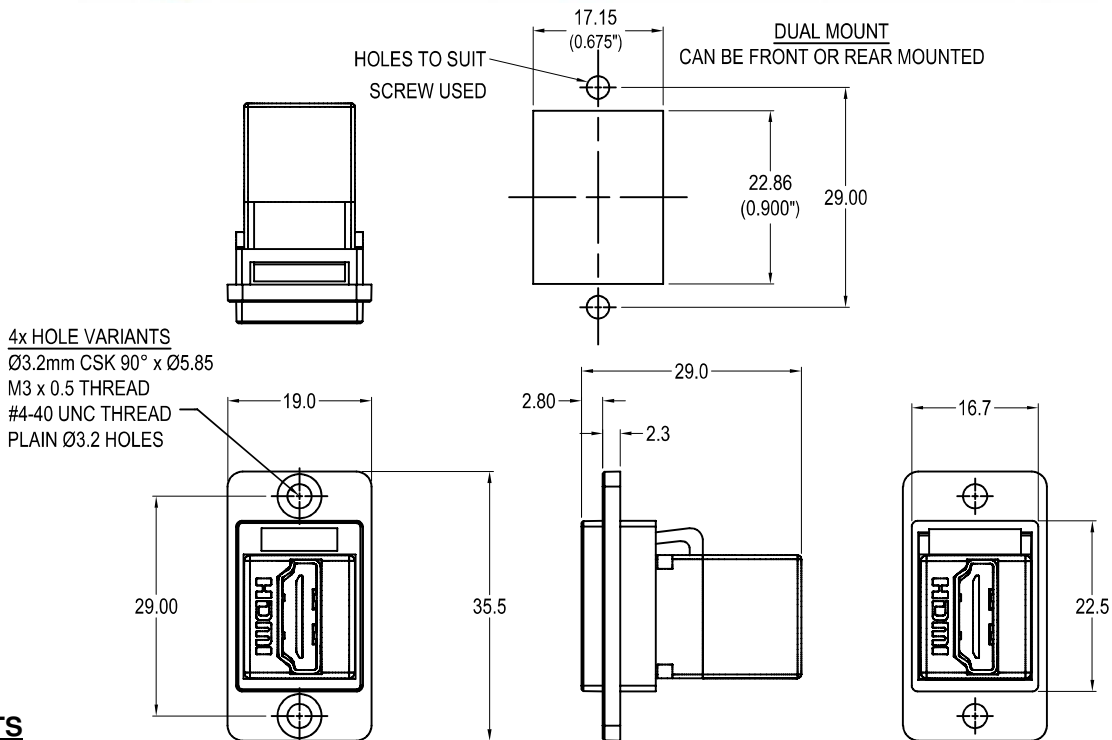


CLIFF

DUALSLIM HDMI FEMALE - FEMALE METAL FRAME FEEDTHROUGH

Can be front or rear mounted in the panel



VARIANTS

Part No.

CP30700GM	DUALSLIM HDMI F-F Nickel frame, CSK holes
CP30700GMB	DUALSLIM HDMI F-F Black metal frame, CSK holes
CP30700GM3	DUALSLIM HDMI F-F Nickel frame, M3 holes
CP30700GMB3	DUALSLIM HDMI F-F Black metal frame, M3 holes
CP30700GM440	DUALSLIM HDMI F-F Nickel frame, #4-40 holes
CP30700GMB440	DUALSLIM HDMI F-F Black metal frame, #4-40 holes
CP30700GMX1	DUALSLIM HDMI F-F Nickel frame, Ø3.2 PLAIN holes
CP30700GMBX1	DUALSLIM HDMI F-F Black metal frame, Ø3.2 PLAIN holes

Feedthrough Features

- Fits standard rectangular cutout.
- Front or rear mounting through the panel.
- Various hole mounting options.
- No soldering or punch termination. Use standard cable for each connector style.
- Low rear profile.

General:

Please note: Functionality is affected by cable quality, length and cable wiring configuration.

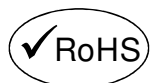
Material:

1. Insert: ABS UL94 HB
2. Frame: Diecast, Nickel or Black plated
3. Shell: Gold plated
4. Contacts: Gold Plated

© CLIFF 02/2021 ISS.1

For further information, contact sales@cliffuk.co.uk

Cliff Electronic Components Limited,
76 Holmethorpe Avenue, Holmethorpe Ind. Estate,
Redhill, Surrey RH1 2PF U.K.
Tel: +44 (0)1737 771375 Fax: +44 (0)1737 766012



www.cliffuk.co.uk