

FEATURES

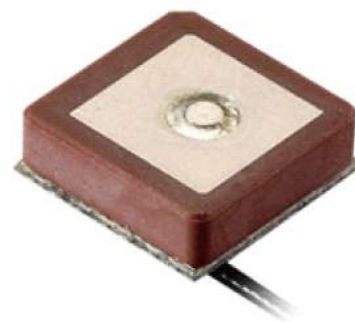
- Active Patch Antenna
- GPS Protocol
- RoHS Compliant

APPLICATION

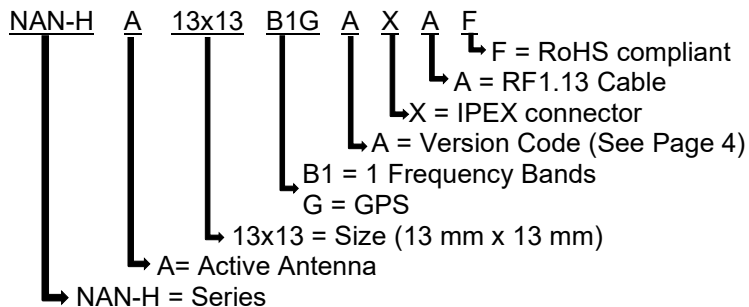
- Tracking
- Fleet Management

SPECIFICATIONS

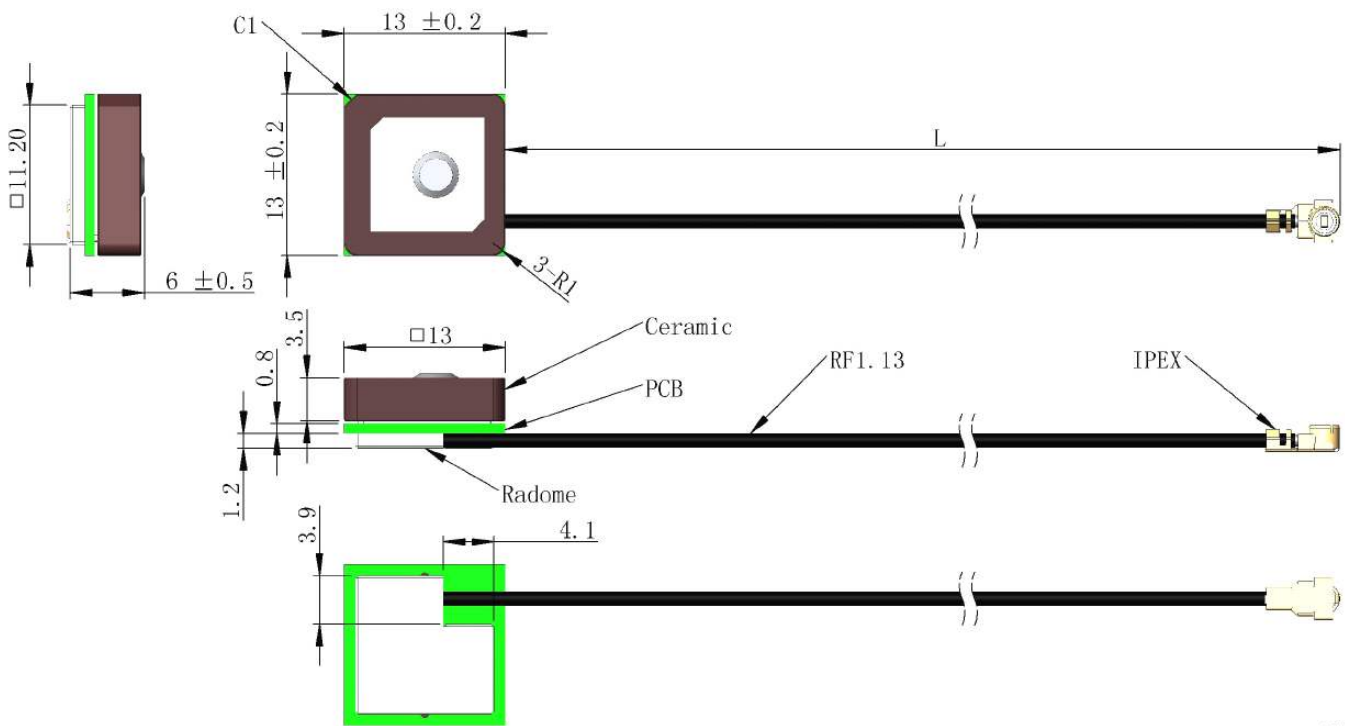
PN: NAN-HA13x13B1GAXAF	
Electrical	
Center Frequency	1575.42 MHz ± 3 MHz
Bandwidth	CF ± 5 MHz
Gain	5 dBic (Zenith)
V.S.W.R	<1.5
Axial Ratio	5 dB (max)
Polarization	RHCP
Impedance	50Ω
LNA	
Gain	22 ± 2dB
Noise Figure	< 1.5
Ex-band Attenuation	30dB @ CF ± 40 MHz
Supply Voltage	3.3V DC
Current Consumption	9 mA
V.S.W.R.	< 2.0
Environmental	
Operating Temperature	-40°C~+85°C
Relative Humidity	Up to 75%
Vibration	10 ~ 55Hz 1.5mm Amplitude 2 Hours
RoHS Compliant	Yes



RoHS Compliant
includes all homogeneous materials
(see part numbering system for details)

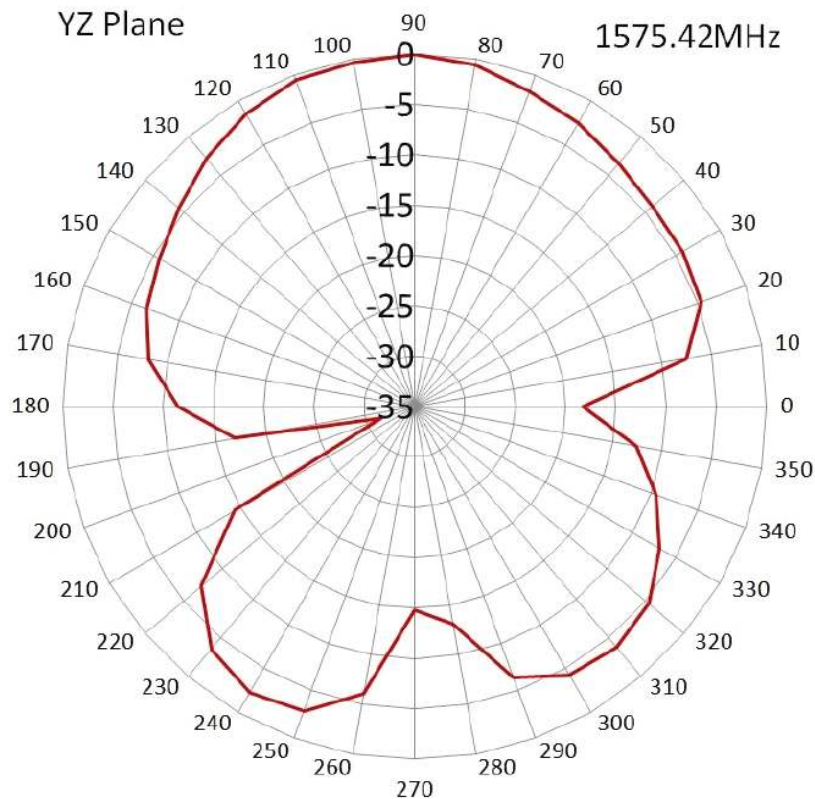
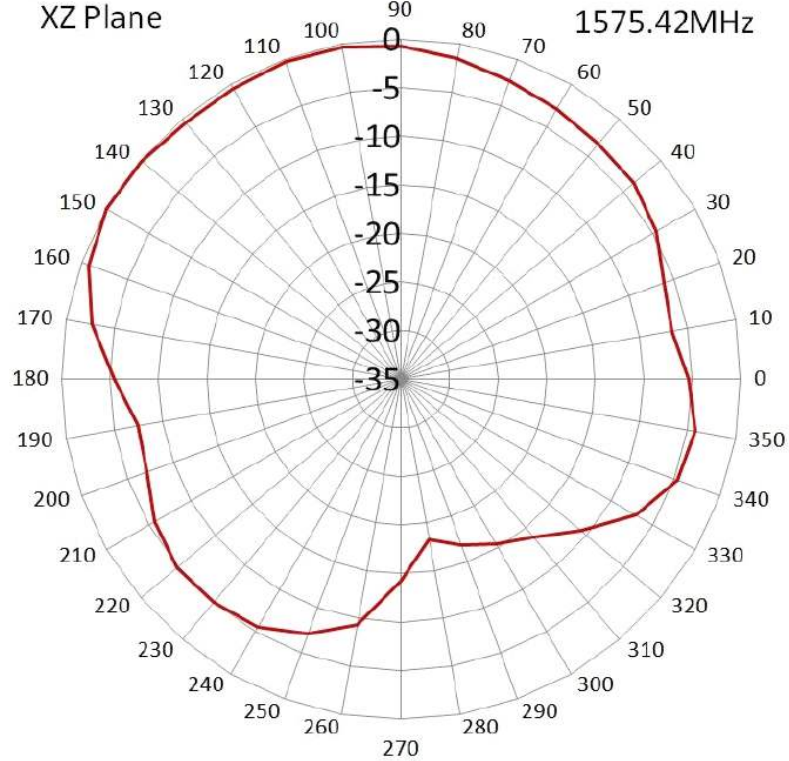
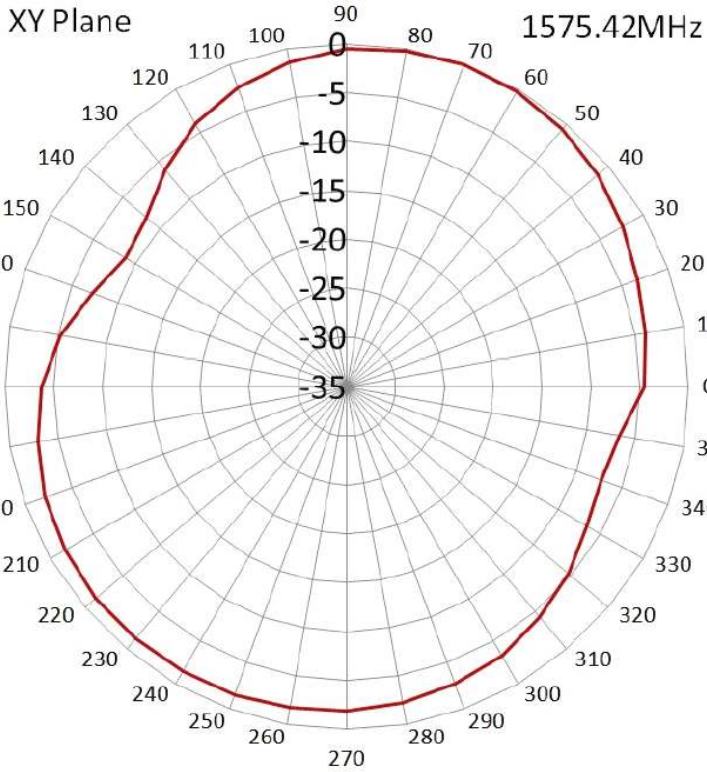


Dimensions (mm):	
Length	13 ± 0.2
Width	13 ± 0.2
Height	6.0 ± 0.5
Cable Length (L)	100 mm
Cable	RF1.13
Connection Type	IPEX



UNIT: mm

RADIATION PATTERNS



Version History and Status

Version	Date Issued	Details	Status
A	Sept 16 th , 2022	Initial Release	Supported

Please reach out to NIC for any customization requests and other inquiries:

- NIC Technical Support: tpmg@niccomp.com
- Compliance Support: rohs@niccomp.com