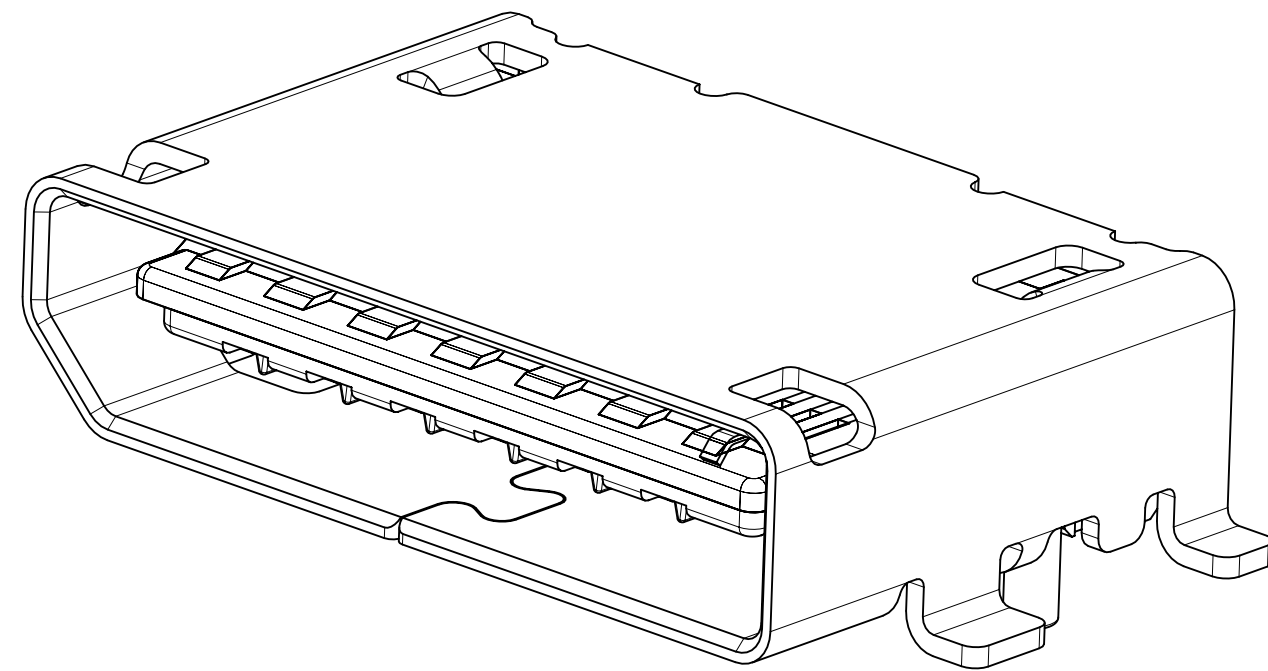
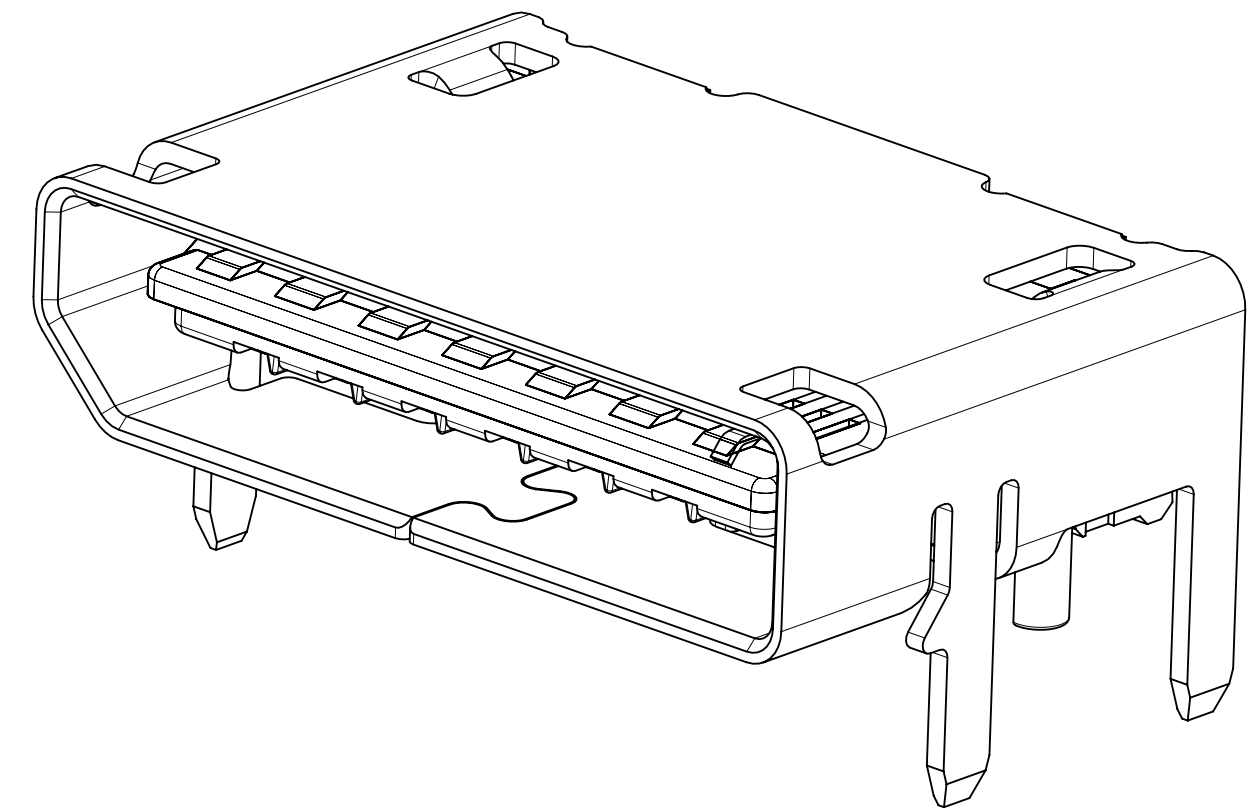


42 CIRCUIT SMT SHELL



42 CIRCUIT THRU HOLE SHELL



NOTES:

1. MATERIALS:
HOUSING - LCP, GLASS FILLED THERMOPLASTIC, 94V-0
CONTACTS - HIGH PERFORMANCE COPPER ALLOY
SHIELD - STAINLESS STEEL
2. FINISH:
CONTACTS - 0.76µm MIN. GOLD MATING SIDE
0.05µm GOLD FLASH ON SOLDER TAILS
1.27µm MIN. NICKEL UNDERPLATE OVERALL

SHIELD - MATTE TIN OVER 1.27µm MIN. NICKEL
3. PRODUCT SPECIFICATION: PS-173162-0001
4. PACKAGING SPECIFICATION: PK-173307-0001
5. MATES WITH: MOLEX CABLE SERIES 100436
PER INDUSTRY STANDARD PCIe OCuLink OR SFF-8612
6. APPLICATION SPECIFICATION: AS-173162-0001
7. COSMETIC SPECIFICATION: PS-45499-002 CALASS B

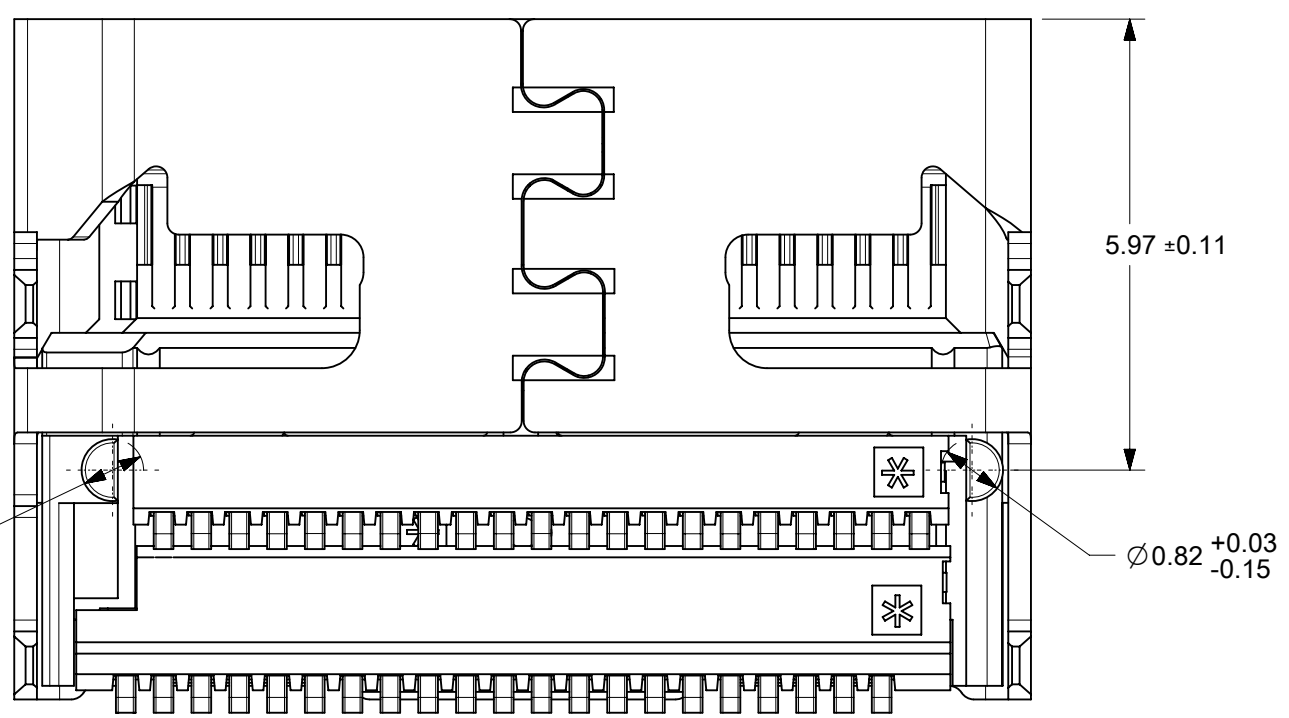
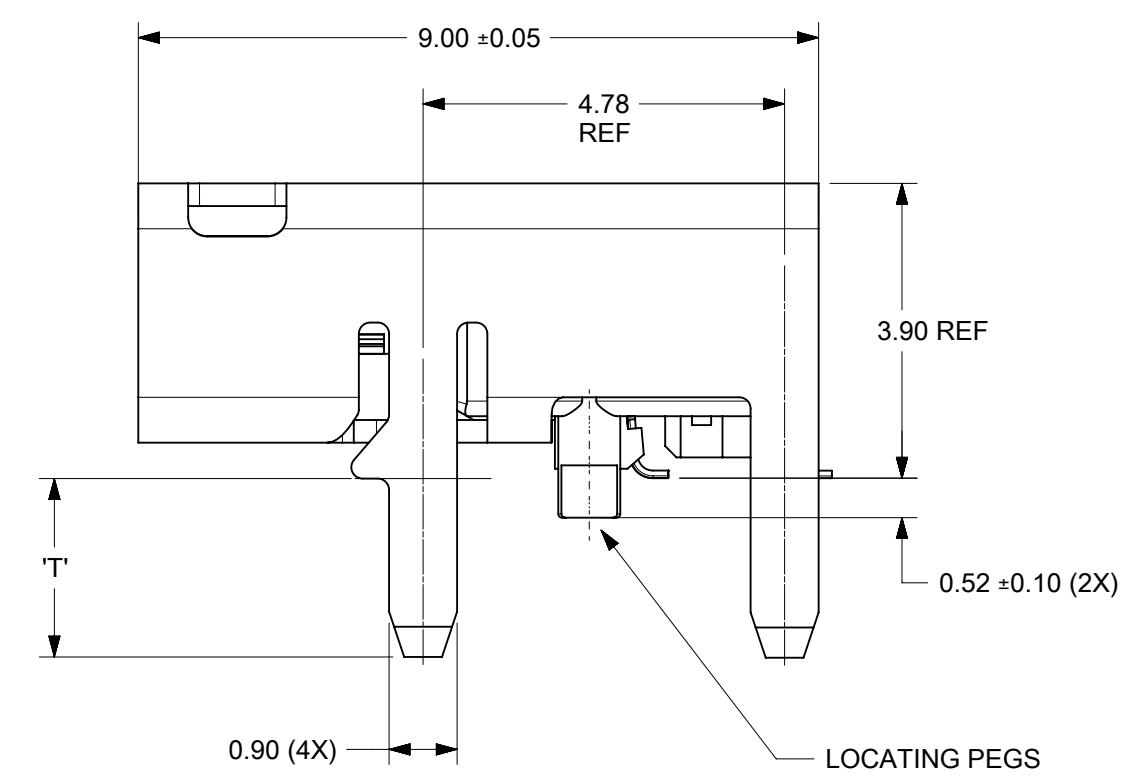
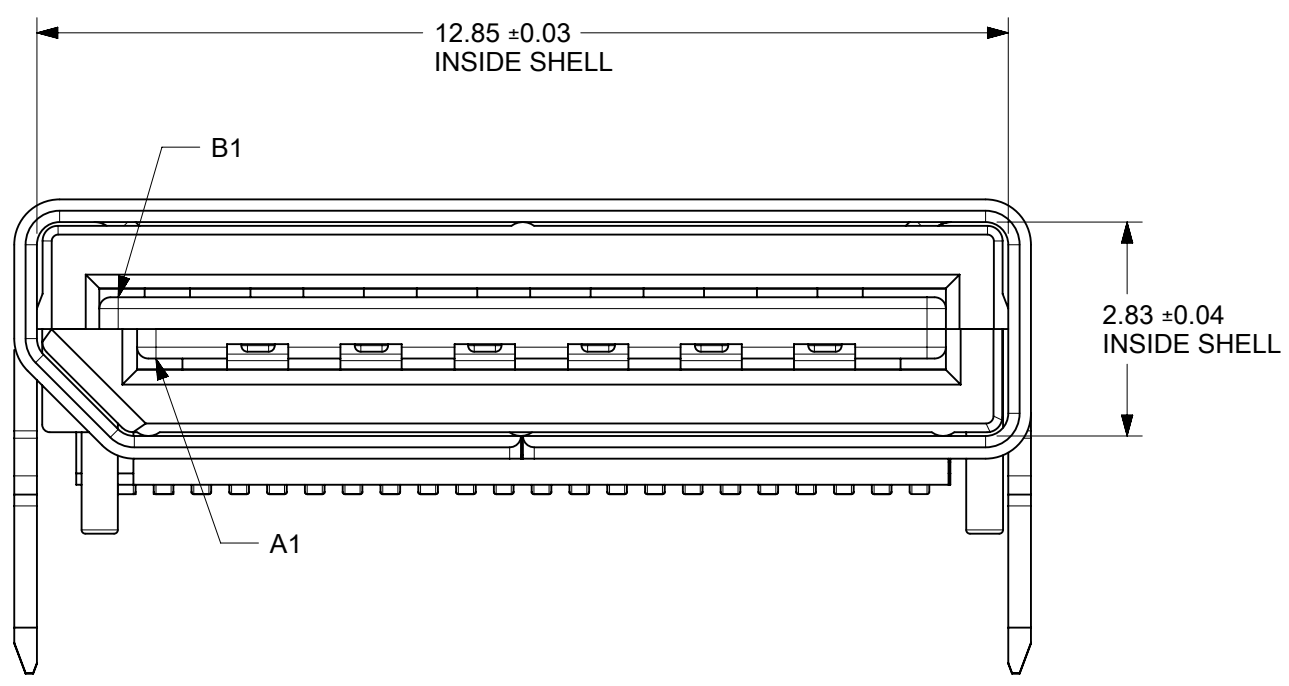
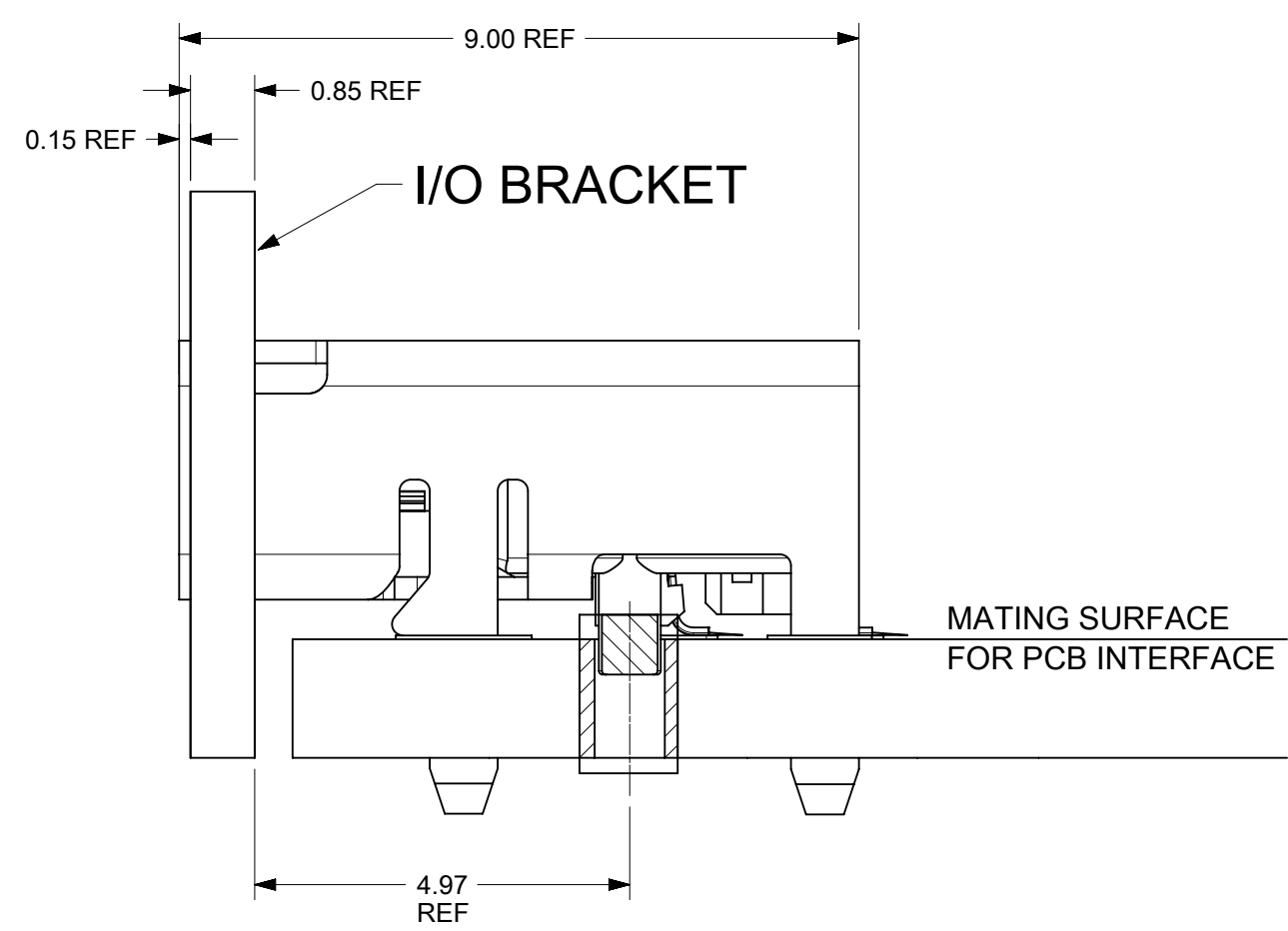
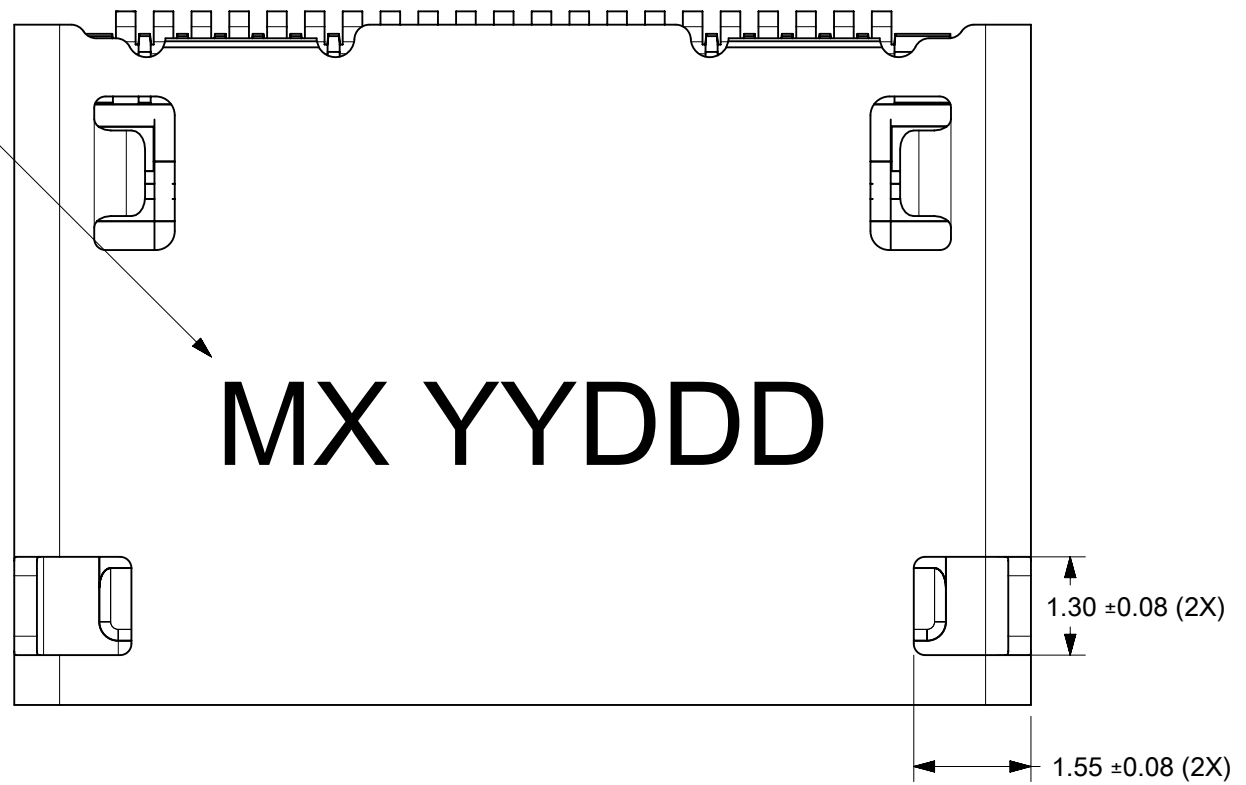
STATUS	MATERIAL NUMBER	SHELL ATTACH OPTION	DIM 'T'
TOOLED	171982-0142	SMT	-
TOOLED	171982-1142	TH	3
TOOLED	171982-2142	TH	2.36
TOOLED	171982-3142	TH	1.57

FUNCTIONAL SYMBOLS	THIS DRAWING CONTAINS INFORMATION THAT IS PROPRIETARY TO MOLEX ELECTRONIC TECHNOLOGIES, LLC AND SHOULD NOT BE USED WITHOUT WRITTEN PERMISSION									
	DIMENSION UNITS	SCALE	CURRENT REV DESC:				molex			
$\nabla_A = 0$	mm	10:1	EC NO: 701025							
$\nabla_C = 0$	GENERAL TOLERANCES (UNLESS SPECIFIED)		DRWN: ABELD2 2022/03/25				NANO-PITCH I/O RIGHT ANGLE 4X			
$\nabla_P = 0$	ANGULAR TOL ± 0.5°		CHK'D: JKACHLIC 2022/03/31							
DIVISIONAL SYMBOLS	4 PLACES ±		APPR: JKACHLIC 2022/03/31				PRODUCT CUSTOMER DRAWING			
	3 PLACES ±		INITIAL REVISION:				DOCUMENT NUMBER			
	2 PLACES ± 0.13		DRWN: MJANTELEZIO 2015/10/21				SD-171982-1000			
	1 PLACE ± 0.25		APPR: MBANAKIS 2015/11/09				PSD 001 J3			
0 PLACES ±		THIRD ANGLE PROJECTION		DRAWING	SERIES	MATERIAL NUMBER	CUSTOMER	DOC TYPE	DOC PART	REVISION
DRAFT WHERE APPLICABLE MUST REMAIN WITHIN DIMENSIONS				C-SIZE	171982	GENERAL MARKET				1 OF 6

42 CIRCUIT TH ASSEMBLY

EXTERNAL

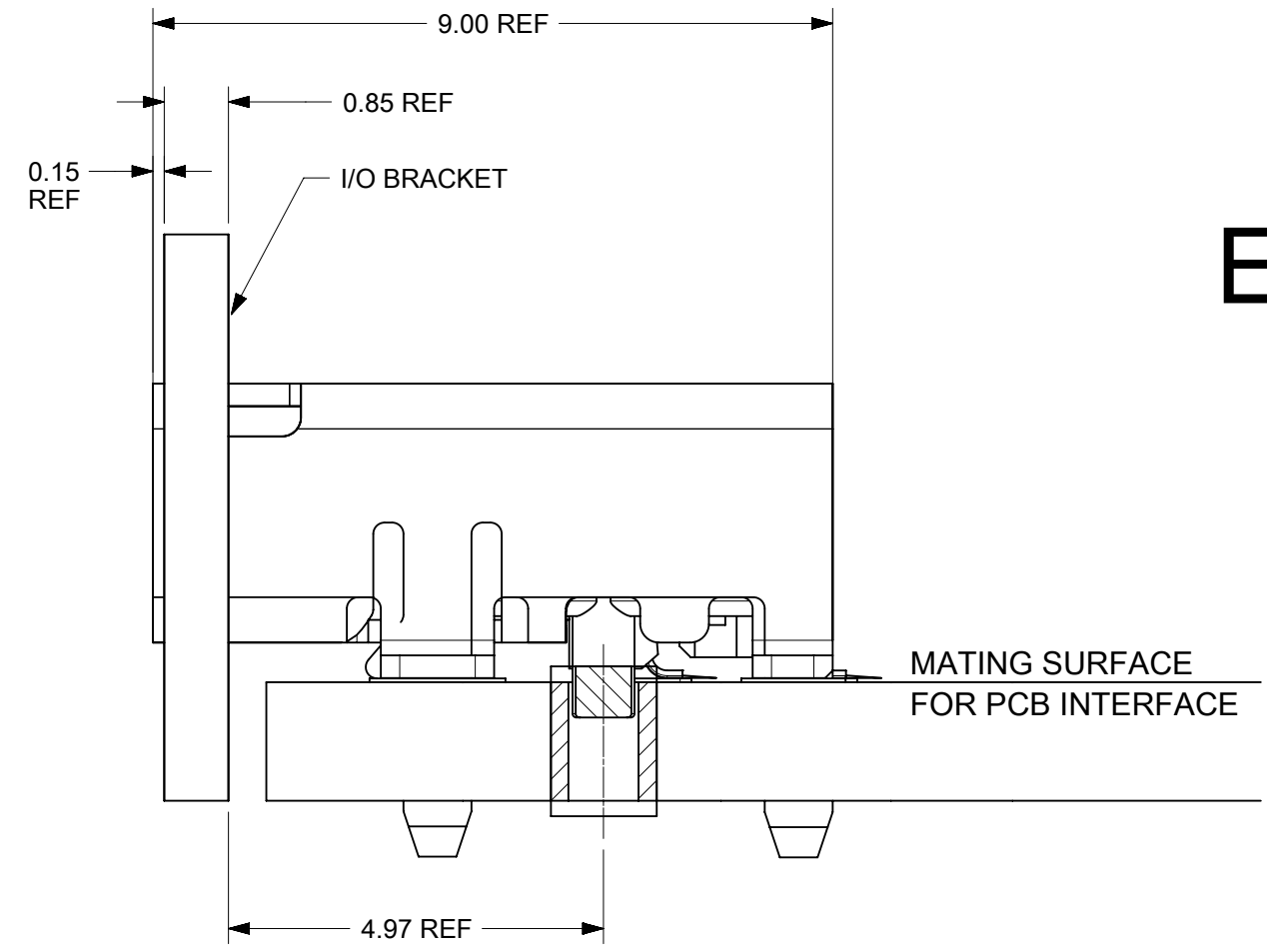
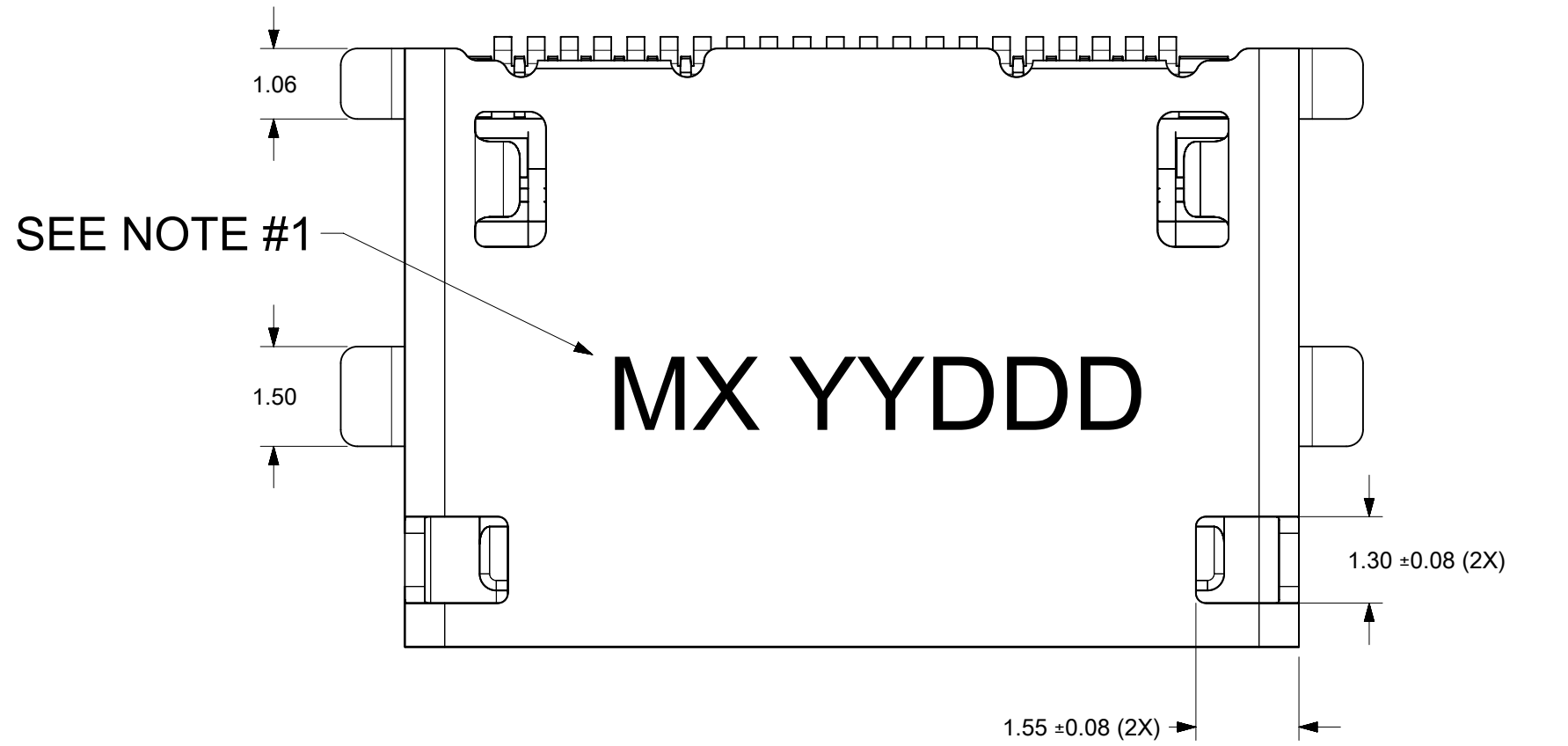
SEE NOTE #1



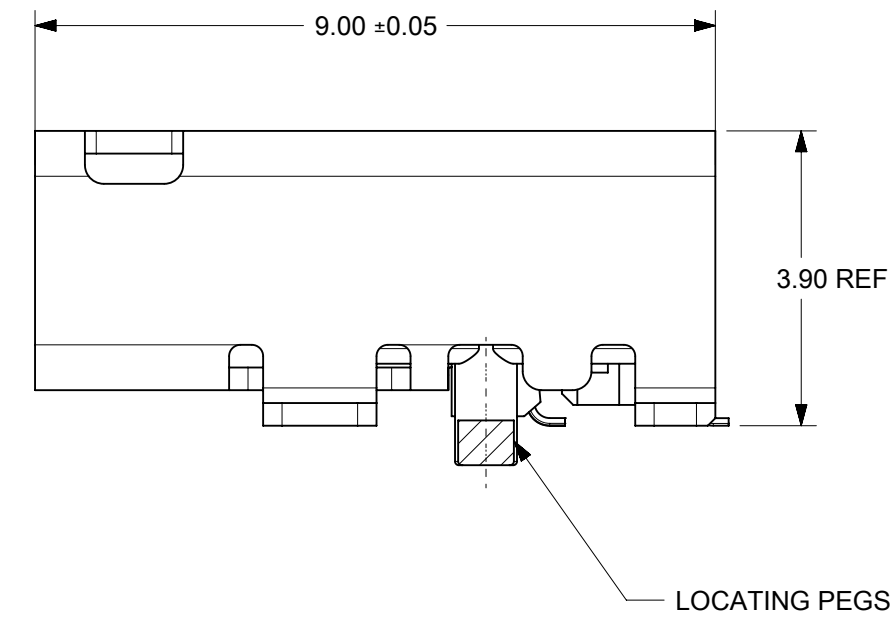
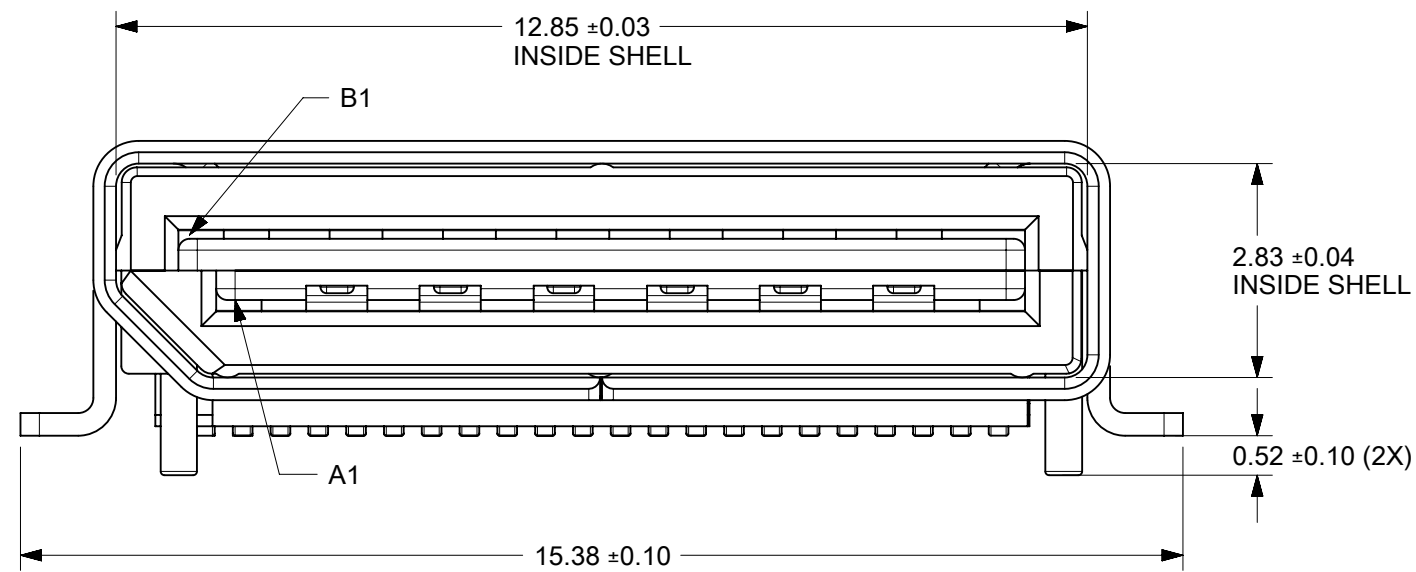
- NOTES:
- MANUFACTURED DATE CODE (JULIAN CALENDAR) MX YYDDD
 - DAY OF THE YEAR
 - LAST TWO DIGITS OF THE YEAR
 - MOLEX
 - SOLDER TAIL COPLANARITY 0.10 MAX

FUNCTIONAL SYMBOLS	THIS DRAWING CONTAINS INFORMATION THAT IS PROPRIETARY TO MOLEX ELECTRONIC TECHNOLOGIES, LLC AND SHOULD NOT BE USED WITHOUT WRITTEN PERMISSION		CURRENT REV DESC:		molex
	DIMENSION UNITS	SCALE			
FA = 0	mm	10:1			NANO-PITCH I/O RIGHT ANGLE 4X
EC = 0	GENERAL TOLERANCES (UNLESS SPECIFIED)				
EP = 0	ANGULAR TOL ± 0.5°				PRODUCT CUSTOMER DRAWING
	4 PLACES	±	EC NO: 701025	2022/03/25	
	3 PLACES	±	DRWN: ABELD2	2022/03/31	
	2 PLACES	± 0.13	CHK'D: JKACHLIC	2022/03/31	
	1 PLACE	± 0.25	APPR: JKACHLIC	2022/03/31	
	0 PLACES	±	INITIAL REVISION:		
	DRAFT WHERE APPLICABLE MUST REMAIN WITHIN DIMENSIONS		DRWN: MJANTELEZIO	2015/10/21	
	THIRD ANGLE PROJECTION		APPR: MBANAKIS	2015/11/09	
	DRAWING		SERIES		
	C-SIZE		171982		
	MATERIAL NUMBER		CUSTOMER	SHEET NUMBER	
			GENERAL MARKET	2 OF 6	

42 CIRCUIT SMT ASSEMBLY



EXTERNAL



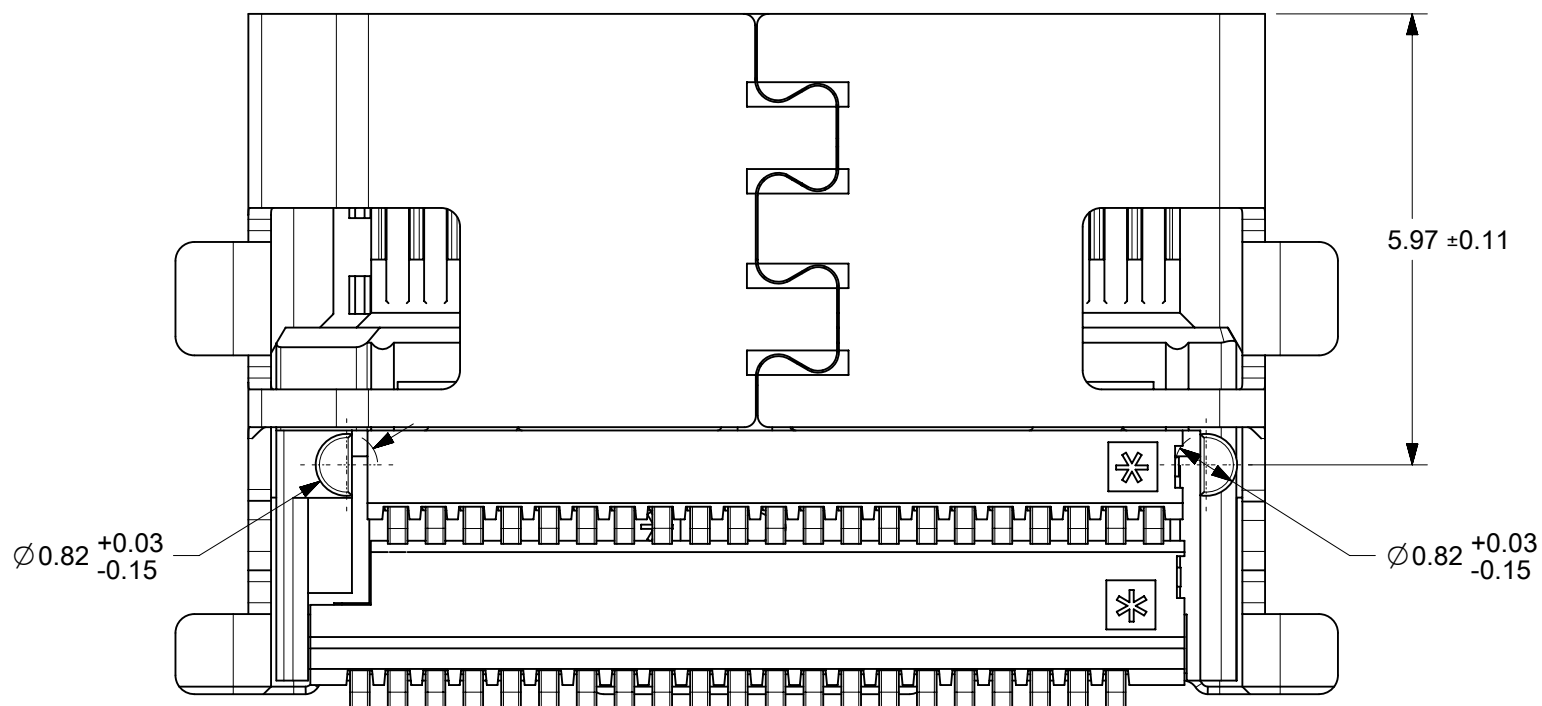
NOTES:

1. MANUFACTURED DATE CODE (JULIAN CALENDAR)

MX YYDDD

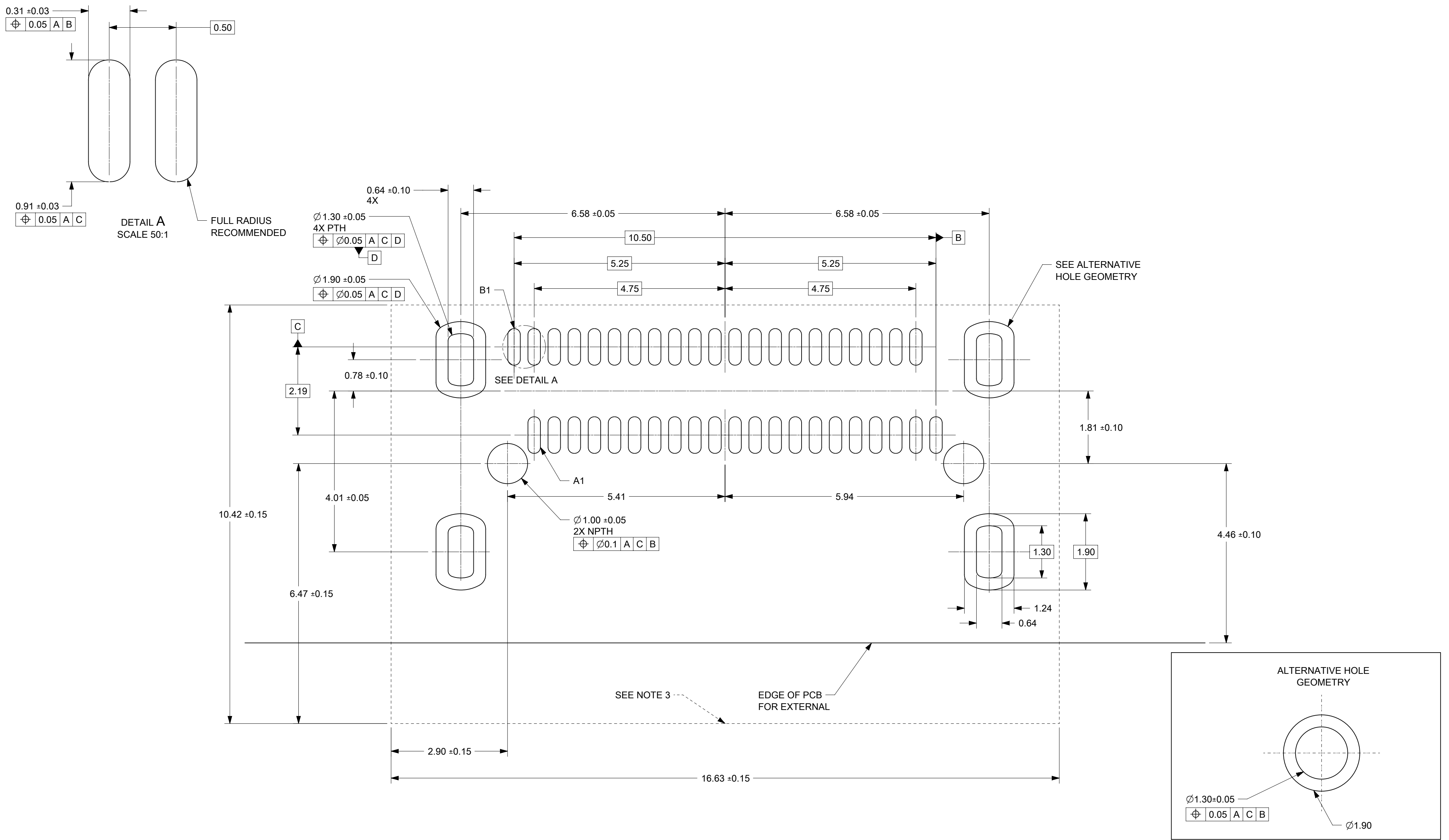
DAY OF THE YEAR
LAST TWO DIGITS OF THE YEAR
MOLEX

2. SOLDER TAIL COPLANARITY 0.10 MAX



FUNCTIONAL SYMBOLS	THIS DRAWING CONTAINS INFORMATION THAT IS PROPRIETARY TO MOLEX ELECTRONIC TECHNOLOGIES, LLC AND SHOULD NOT BE USED WITHOUT WRITTEN PERMISSION			
	DIMENSION UNITS	SCALE	CURRENT REV DESC:	
$\frac{F}{A} = 0$	mm	10:1		
$\frac{E}{C} = 0$	GENERAL TOLERANCES (UNLESS SPECIFIED)			
	ANGULAR TOL	± 0.5°		
DIVISIONAL SYMBOLS	4 PLACES	±	EC NO: 701025	
	3 PLACES	±	DRWN: ABELD2	2022/03/25
	2 PLACES	± 0.13	CHK'D: JKACHLIC	2022/03/31
	1 PLACE	± 0.25	APPR: JKACHLIC	2022/03/31
0 PLACES	±	INITIAL REVISION:		
		DRWN: MJANTELEZIO	2015/10/21	
		APPR: MBANAKIS	2015/11/09	
DRAFT WHERE APPLICABLE MUST REMAIN WITHIN DIMENSIONS	THIRD ANGLE PROJECTION	DRAWING	SERIES	MATERIAL NUMBER
		C-SIZE	171982	SD-171982-1000
DOCUMENT STATUS	P1	RELEASE DATE	2022/03/31 04:19:28	DOC TYPE
				PSD
				DOC PART
				001
				REVISION
				J3
				CUSTOMER
				GENERAL MARKET
				SHEET NUMBER
				3 OF 6

42 CIRCUIT TAIL RECOMMENDED FOOTPRINT



NOTES:

1. MINIMUM RECOMMENDED SPACING BETWEEN ADJACENT CONNECTOR IS 19.05mm
2. MINIMUM RECOMMENDED PCB THICKNESS: 1.57mm
3. CONNECTOR KEEP OUT AREA
4. DATUM -A- ESTABLISHED FROM TOP SURFACE OF PCB

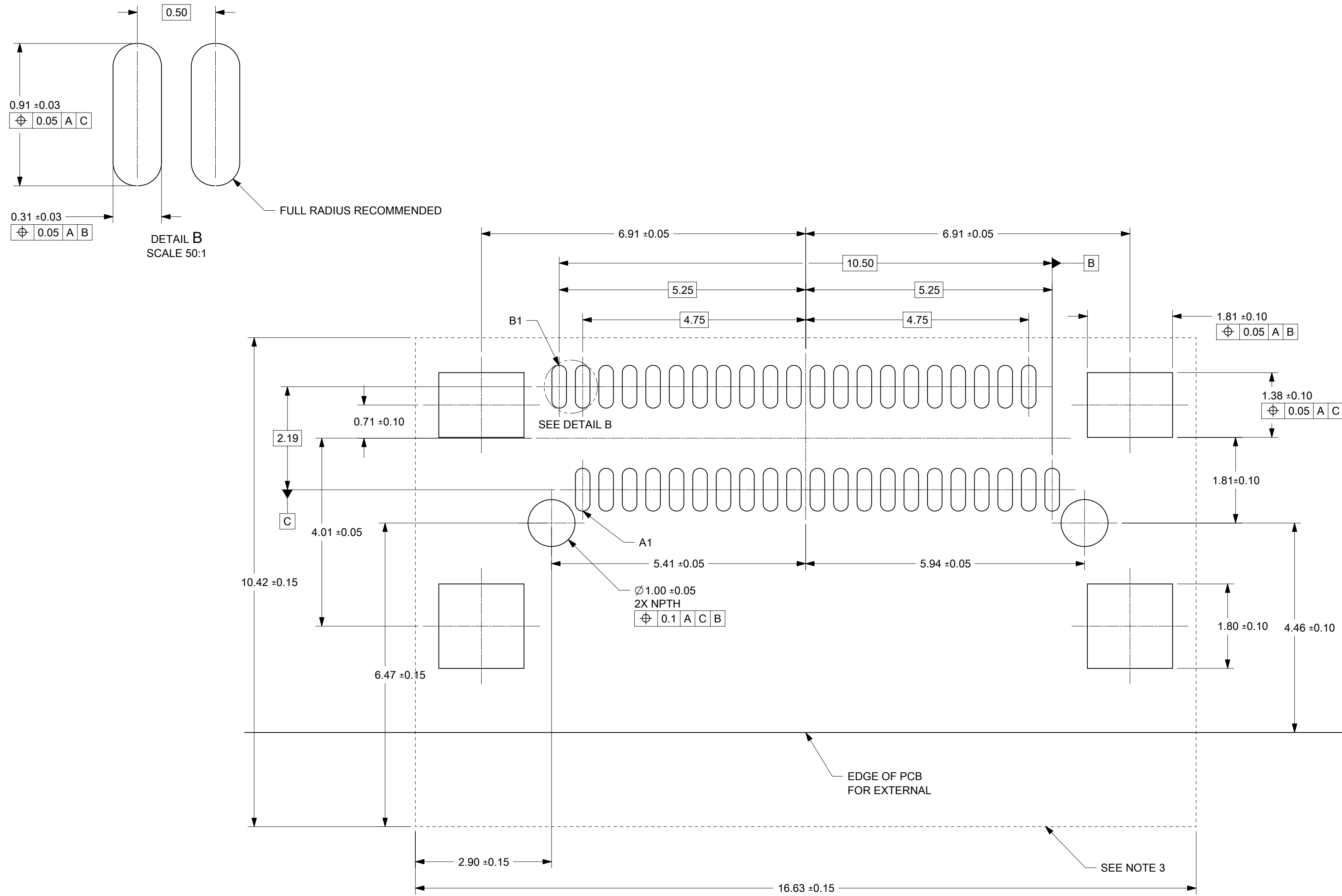
FUNCTIONAL SYMBOLS $\overline{A} = 0$ $\overline{C} = 0$ $\overline{P} = 0$	THIS DRAWING CONTAINS INFORMATION THAT IS PROPRIETARY TO MOLEX ELECTRONIC TECHNOLOGIES, LLC AND SHOULD NOT BE USED WITHOUT WRITTEN PERMISSION		CURRENT REV DESC:	
	DIMENSION UNITS: mm SCALE: 15:1	GENERAL TOLERANCES (UNLESS SPECIFIED) ANGULAR TOL $\pm 0.5^\circ$		
DIVISIONAL SYMBOLS	4 PLACES \pm	EC NO: 701025	DRWN: ABELD2 2022/03/25 CHK'D: JKACHLIC 2022/03/31 APPR: JKACHLIC 2022/03/31	
	3 PLACES \pm	INITIAL REVISION:	DRWN: MJANTELEZIO 2015/10/21 APPR: MBANAKIS 2015/11/09	
	2 PLACES ± 0.13	DRWING	SERIES	DOCUMENT NUMBER: SD-171982-1000 DOC TYPE: PSD DOC PART: 001 REVISION: J3
	1 PLACE ± 0.25	DRAFT WHERE APPLICABLE MUST REMAIN WITHIN DIMENSIONS	THIRD ANGLE PROJECTION 	MATERIAL NUMBER: C-SIZE CUSTOMER: 171982 GENERAL MARKET
0 PLACES \pm				SHEET NUMBER: 4 OF 6

molex

NANO-PITCH I/O
RIGHT ANGLE 4X

PRODUCT CUSTOMER DRAWING

42 CIRCUIT SMT RECOMMENDED FOOTPRINT



NOTES:

1. MINIMUM RECOMMENDED SPACING BETWEEN ADJACENT CONNECTOR IS 19.05mm
2. MINIMUM RECOMMENDED PCB THICKNESS: 1.57mm
3. CONNECTOR KEEP OUT AREA
4. DATUM -A- ESTABLISHED FROM TOP SURFACE OF PCB

FUNCTIONAL SYMBOLS	THIS DRAWING CONTAINS INFORMATION THAT IS PROPRIETARY TO MOLEX ELECTRONIC TECHNOLOGIES, LLC AND SHOULD NOT BE USED WITHOUT WRITTEN PERMISSION		
	DIMENSION UNITS	SCALE	CURRENT REV DESC:
$\frac{F}{A} = 0$	mm	15:1	
$\frac{F}{C} = 0$	GENERAL TOLERANCES (UNLESS SPECIFIED)		
$\frac{F}{P} = 0$	ANGULAR TOL $\pm 0.5^\circ$		
DIVISIONAL SYMBOLS	4 PLACES	\pm	EC NO: 701025
	3 PLACES	\pm	DRWN: ABELD2 2022/03/25
	2 PLACES	± 0.13	CHK'D: JKACHLIC 2022/03/31
	1 PLACE	± 0.25	APPR: JKACHLIC 2022/03/31
	0 PLACES	\pm	INITIAL REVISION:
			DRWN: MJANTELEZIO 2015/10/21
			APPR: MBANAKIS 2015/11/09
DRAFT WHERE APPLICABLE MUST REMAIN WITHIN DIMENSIONS	THIRD ANGLE PROJECTION	DRAWING	SERIES
		C-SIZE	171982
DOCUMENT STATUS		P1	RELEASE DATE
2022/03/31		04:19:28	
DOCUMENT NUMBER		CUSTOMER	SHEET NUMBER
SD-171982-1000		GENERAL MARKET	5 OF 6
DOC TYPE		DOC PART	REVISION
PSD		001	J3

molex

NANO-PITCH I/O
RIGHT ANGLE 4X

PRODUCT CUSTOMER DRAWING

DOCUMENT NUMBER: SD-171982-1000
DOC TYPE: PSD
DOC PART: 001
REVISION: J3

MATERIAL NUMBER: GENERAL MARKET
CUSTOMER: GENERAL MARKET
SHEET NUMBER: 5 OF 6

REVISION	DATE	DISCRIPTION
J2	8/10/2021	UPDATE THE DATE CODE. SHEET 2/SHEET 3 From "MX YYDD" update to "MX YYDDD"
J3	3/25/2022	SHEET 1:CORRECT THE PS No. FROM PS-171982-0001 TO PS-173162-0001

FUNCTIONAL SYMBOLS = 0 = 0 = 0 DIVISIONAL SYMBOLS 3 PLACES ± 2 PLACES ± 0.13 1 PLACE ± 0.25 0 PLACES ± DRAFT WHERE APPLICABLE MUST REMAIN WITHIN DIMENSIONS	THIS DRAWING CONTAINS INFORMATION THAT IS PROPRIETARY TO MOLEX ELECTRONIC TECHNOLOGIES, LLC AND SHOULD NOT BE USED WITHOUT WRITTEN PERMISSION		
	DIMENSION UNITS: mm SCALE: 1:1	CURRENT REV DESC:	
	GENERAL TOLERANCES (UNLESS SPECIFIED) ANGULAR TOL ± 0.5°	EC NO: 701025 DRWN: ABELD2 2022/03/25 CHK'D: JKACHLIC 2022/03/31 APPR: JKACHLIC 2022/03/31	
	INITIAL REVISION: DRWN: MJANTELEZIO 2015/10/21 APPR: MBANAKIS 2015/11/09	DOCUMENT NUMBER: SD-171982-1000 DOC TYPE: PSD DOC PART: 001 REVISION: J3	
THIRD ANGLE PROJECTION 	DRAWING: C-SIZE	SERIES: 171982	MATERIAL NUMBER: CUSTOMER: GENERAL MARKET SHEET NUMBER: 6 OF 6



NANO-PITCH I/O
RIGHT ANGLE 4X

PRODUCT CUSTOMER DRAWING