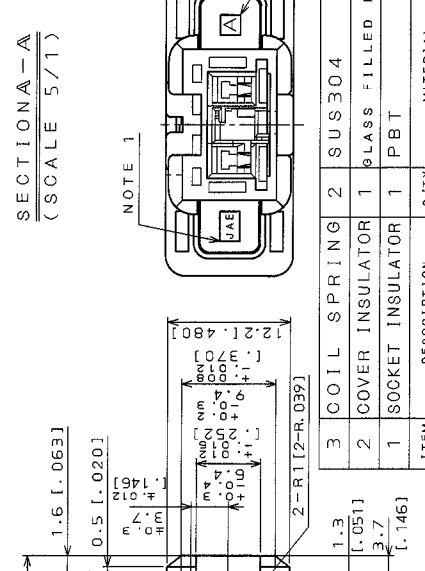
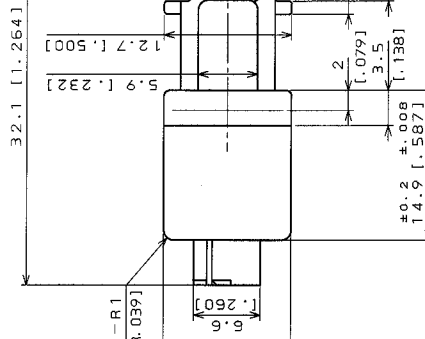
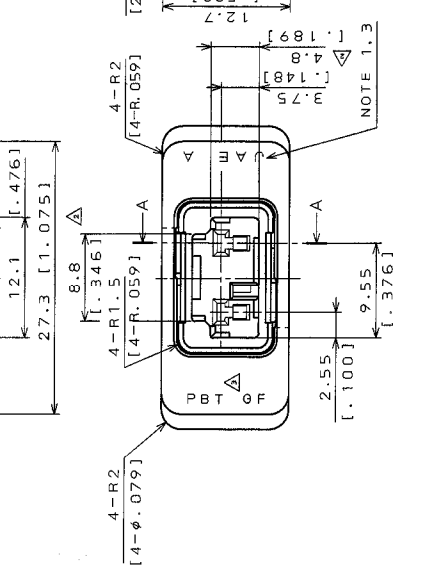
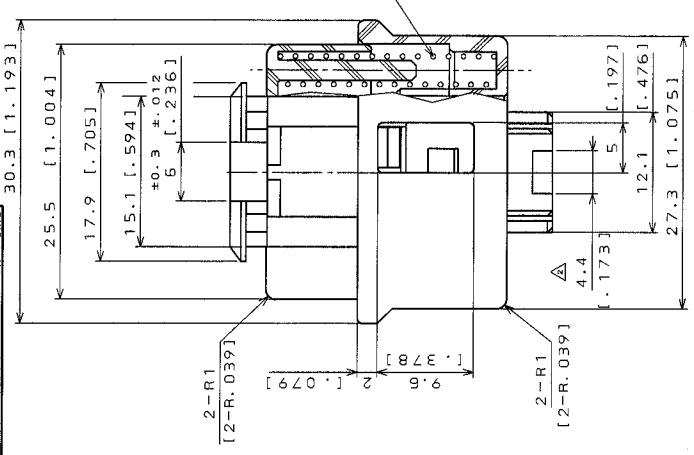
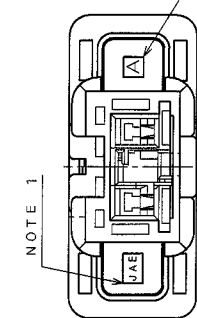


SJ028345-E
ON .000



SPECIAL CONTROL ITEM
MX 9

SECTION A-A
(SCALE 5/1)



SYM.	QTY	DESCRIPTION	DATE	DRAWN	CHECKED	APP'D
2	34604	CHANGED FORM	27.08.94		SHINMYO	T. TOTANI H. FUJINO
3	35457	CHANGED FORM & MATERIAL	17.08.95		SHINMYO	K. IMBELL

NOTE 1. COMPANY LOGO "JAE" & TOOLING MARK APPEARS IN RAISED LETTERS OR RELIEF.

2. TOLERANCES (DEMONSTRATION):

- X ≤ 10 : ±0.2 [±.008]
- 10 < X ≤ 30 : ±0.5 [±.020]
- 30 < X ≤ 100 : ±1 [±.039]
- 100 < X ≤ 300 : ±1 [±.039]

NOTE 3. IT WILL BE NOT MATTER WHETHER THIS MARK IS LOCATED AT THE RIGHT SIDE OR THE LEFT SIDE OF THE CENTER

ITEM	DESCRIPTION	QTY	MATERIAL	FINISH	REMARKS
3	COIL SPRING	2	SUS304		COLOR: YELLOW
2	COVER INSULATOR	1	GLASS FILLED PBT	△	COLOR: YELLOW
1	SOCKET INSULATOR	1	PBT		COLOR: YELLOW

DATE	DATE	DATE	DATE
23. May. '94	23. May. '94	23. May. '94	23. May. '94
DRAWN	DRAWN	DRAWN	DRAWN
M. OOWA	M. OOWA	M. OOWA	M. OOWA
CHECKED	CHECKED	CHECKED	CHECKED
SHINMYO	SHINMYO	SHINMYO	SHINMYO
APP'D	APP'D	APP'D	APP'D
I. IIMORI	I. IIMORI	I. IIMORI	I. IIMORI
APP'D	APP'D	APP'D	APP'D
SJ028345-E	SJ028345-E	SJ028345-E	SJ028345-E

DIMENSIONS ARE IN MILLIMETERS MATERIAL

TOLERANCES ON: (INCHES)

ANGLE

DIMENSION

°.X ±

°.XX ±

°.XXX ±

CONCENTRICITY

WITHIN

T.I.P.

JAE CONNECTOR CO., LTD.
Reference JAE
MUSASHINO, AKISHIMA-SHI
TOKYO, JAPAN
DWG. NO. SJ028345-E