

ASSEMBLY MATERIAL NUMBER

DESCRIPTION

45841-5000

POWER RECEPTACLE MODULE - 150 AMP

NOTES:

1. MATERIALS:

- HOUSING: 30% GLASS FILLED, LCP 94V-0, BLACK.
- TERMINALS: COPPER ALLOY.
- PLATING: PER ES-88-228
- 30 μINCH MIN. SELECT HARD GOLD IN CONTACT AREA ONLY,
- 100 μINCH MIN. SELECT TIN IN TAIL AREA OVER
- 50 μINCH MIN. NICKEL OVERALL.

2. LUBRICATION: EB1 IN CONTACT AREA.

3. REFERENCE DOCUMENT: PS-75431-999.

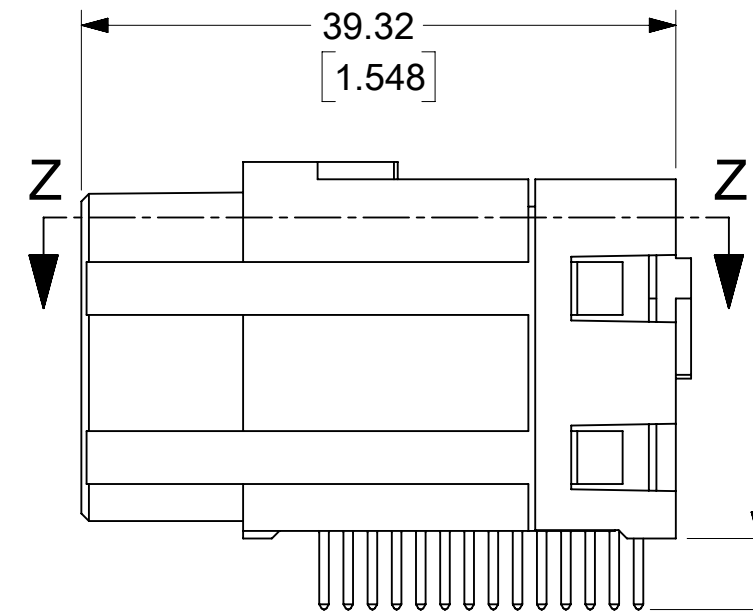
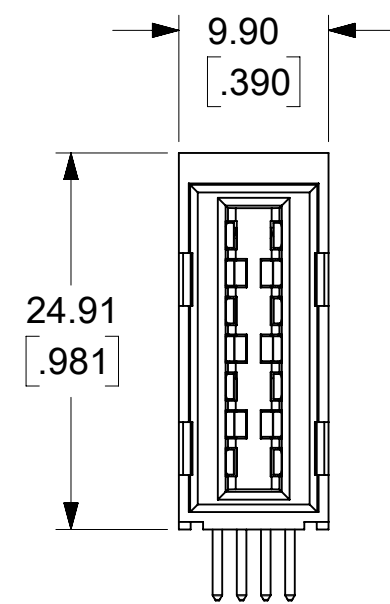
4. RECEPTACLE MATES WITH PLUG ASSEMBLIES: 75556-5000 & 75556-5100.

5. MODULE ASSEMBLY IS RoHS COMPLIANT.

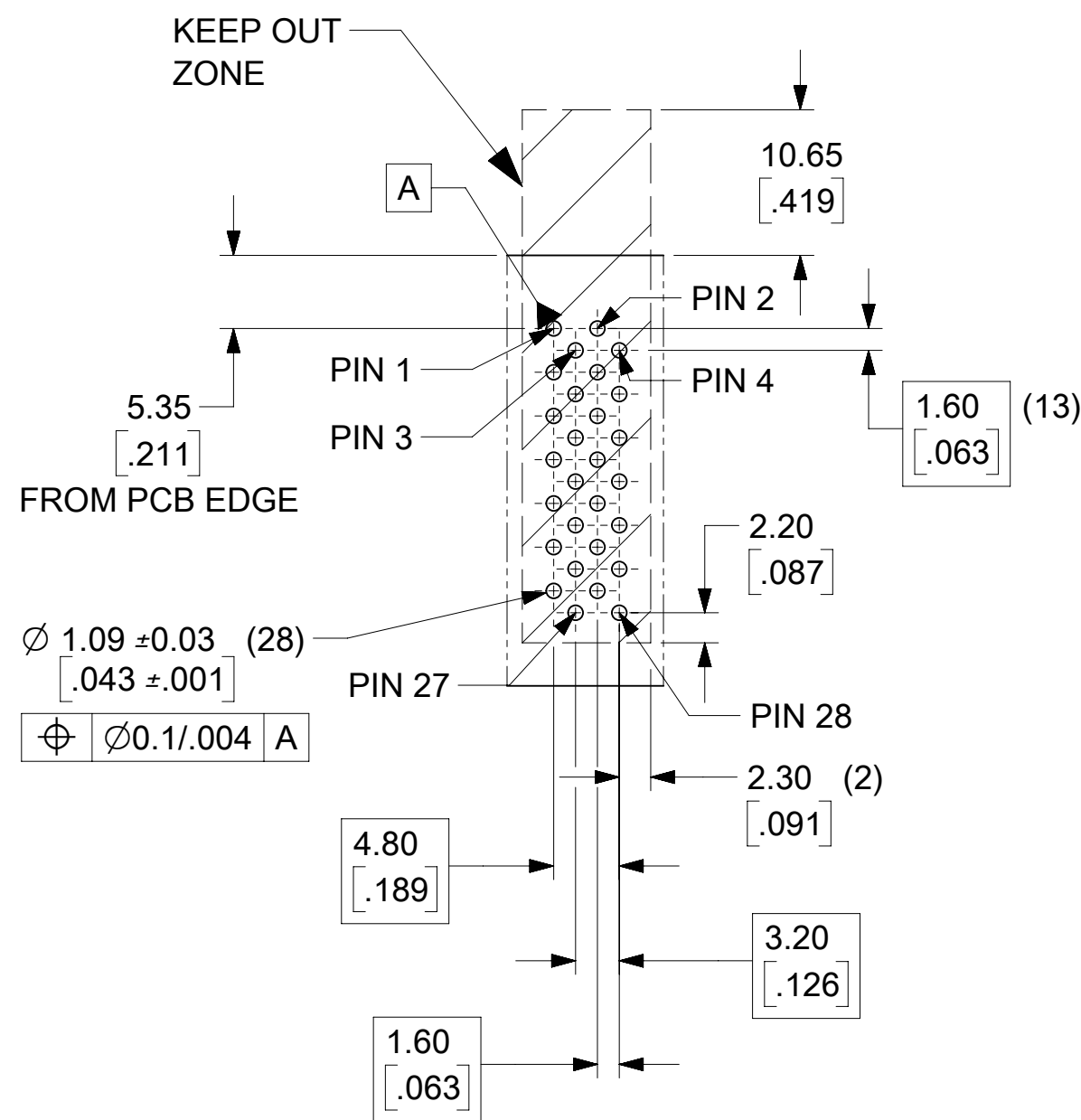
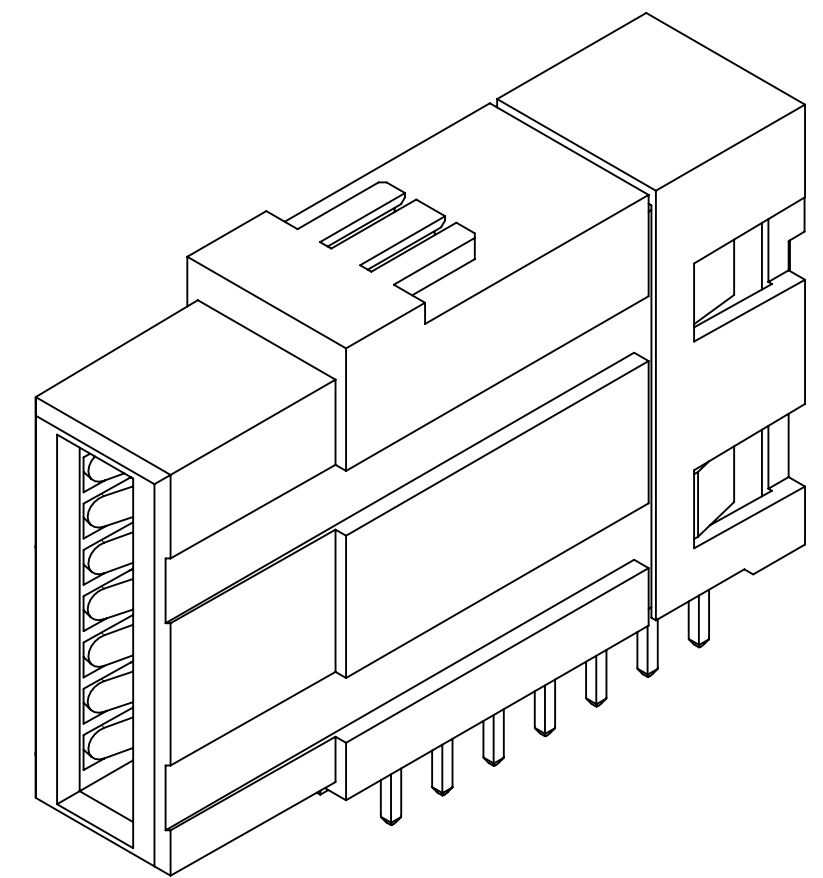
6. MODULE TO BE UL & CSA LISTED PER UL-1977.

7. RECOMMENDED PCB THICKNESS 2.36 / .093.

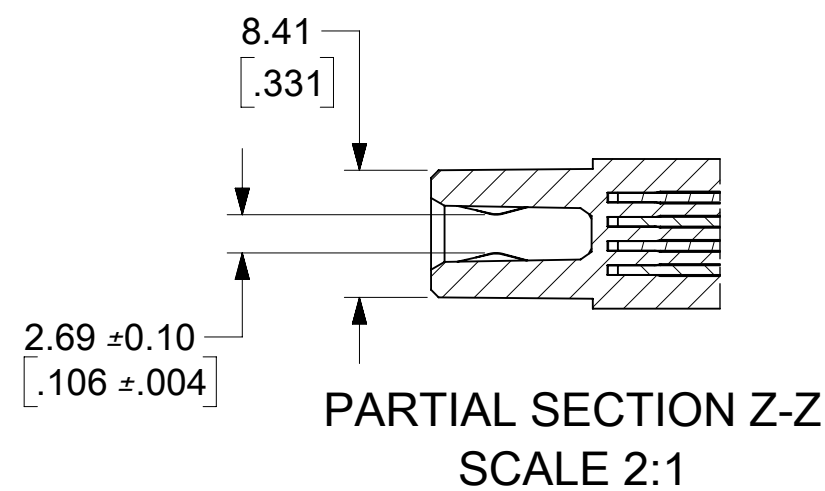
8. FINAL ASSEMBLY TO BE PACKAGED AND LABELED PER PACKAGING KIT DRAWING NUMBER PK-45841-500



PCB TAIL HEIGHT
4.70
[.185]



REQUIRED PCB LAYOUT
SCALE 2:1



PARTIAL SECTION Z-Z
SCALE 2:1

THIS DRAWING CONTAINS INFORMATION THAT IS PROPRIETARY TO MOLEX ELECTRONIC TECHNOLOGIES, LLC AND SHOULD NOT BE USED WITHOUT WRITTEN PERMISSION									
DIMENSION UNITS MM/INCH		SCALE 2:1		CURRENT REV DESC: REMASTERED IN ECTR				molex	
GENERAL TOLERANCES (UNLESS SPECIFIED)				EC NO: 648857					
				DRWN: KSUTAR 2020/10/23				POWER RECEPTACLE MODULE 150A COPLANER RECEPTACLE SYSTEM EXTREME POWERMASS	
4 PLACES ±				CHK'D: SCS02 2020/11/10				PRODUCT CUSTOMER DRAWING	
3 PLACES ±		± 0.01		APPR: HTHYAGARAJ 2020/11/23				DOCUMENT NUMBER	
2 PLACES ±		± 0.25 ± 0.01		INITIAL REVISION:				SD-45841-100	
1 PLACE ±		±		DRWN: BKOSTIC 2006/09/25				DOC TYPE	
0 PLACES ±		±		APPR: APATEL 2006/09/27				PSD	
ANGULAR TOL ± 0.5 °				THIRD ANGLE PROJECTION				DOC PART	
DRAFT WHERE APPLICABLE MUST REMAIN WITHIN DIMENSIONS				DRAWING				DOC REVISION	
				C-SIZE				A3	
				SERIES				MATERIAL NUMBER	
				45841				CUSTOMER	
				SEE CHART				GENERAL MARKET	
				SHEET NUMBER				1 OF 1	