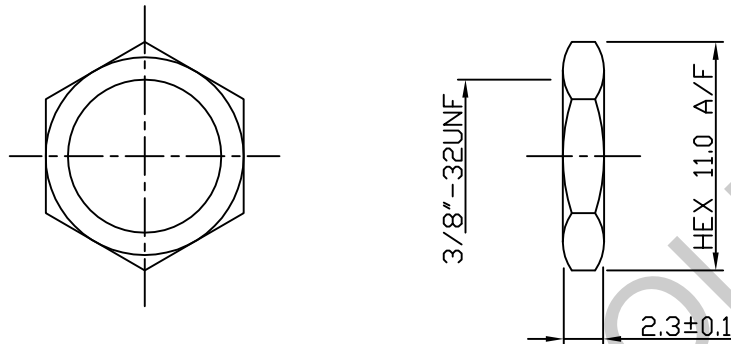


RoHS COMPLIANT



PART		DESCRIPTION
1	Nut	Brass, nickel plated

First Issue	SN	1	22 Apr 03
DESCRIPTION OF REVISION	APPVD	ISS	DATE



Cinch Connectivity Solutions
 7-13 Russel Way,
 Widford Industrial Estate,
 Chelmsford, Essex,
 CM1 3AA, UK.
 Tel: +44 (0) 1245 359515
 Fax: +44 (0) 1245 358938

SCALE: Not To Scale	DRAWN BY:	S Nash
DIMENSIONS: mm	CHECKED BY:	P Couzens
TOLERANCES: ± 0.2mm unless otherwise stated	APPROVED BY:	P Couzens
	DATE:	22 Apr 03

TITLE:	Nut for F type
PART NUMBER:	
VF-NUT	
PAGE: 1 of 1	

PART NUMBER:	VF-NUT
PAGE:	1 of 1