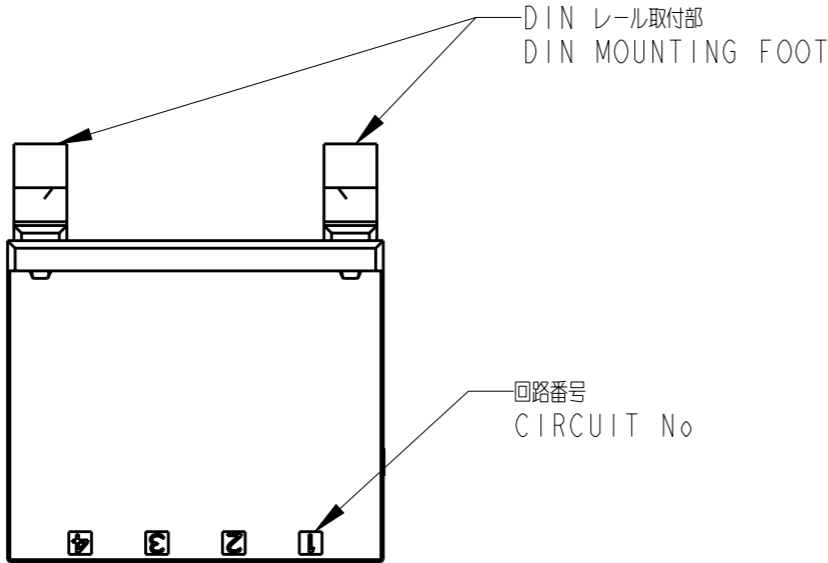
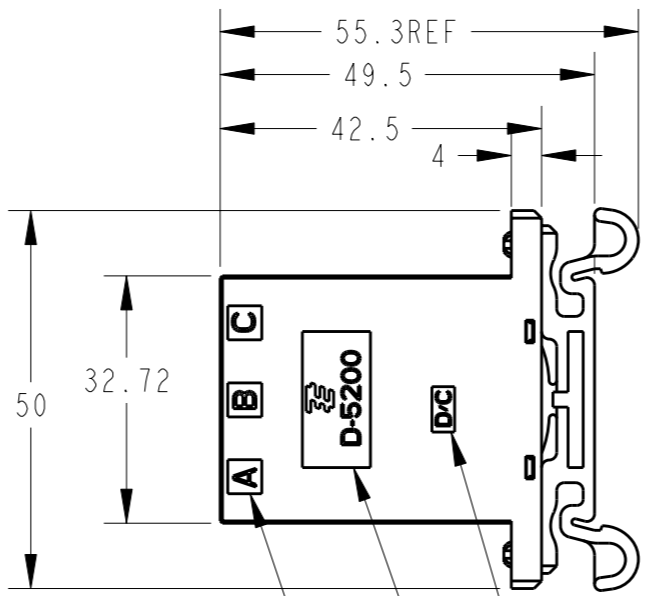
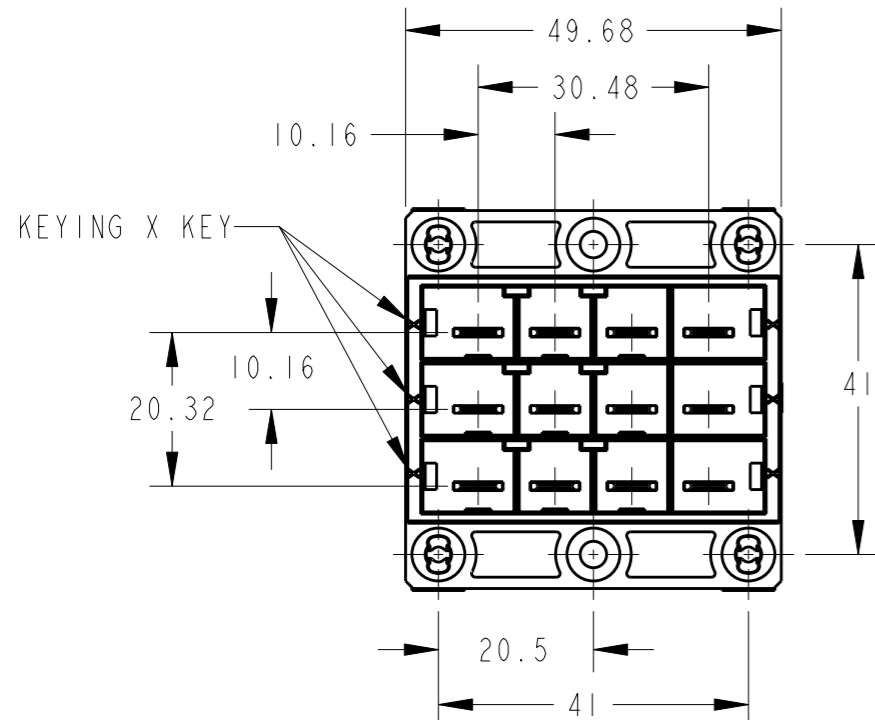
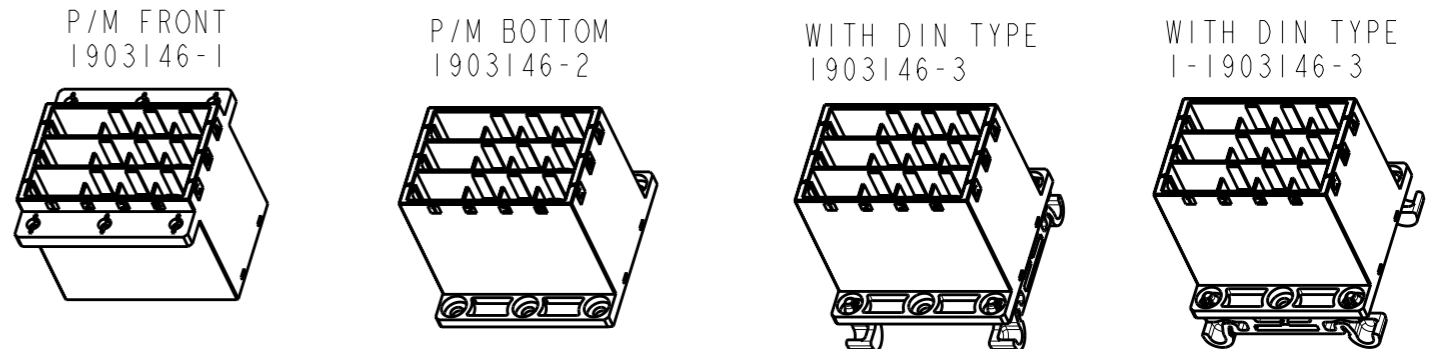


THIS DRAWING IS UNPUBLISHED. RELEASED FOR PUBLICATION 20
 © COPYRIGHT 20 BY TYCO ELECTRONICS CORPORATION. ALL RIGHTS RESERVED.

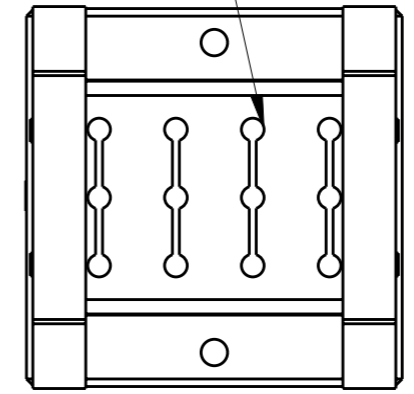
LOC	DIST	REVISIONS				
P	LTR	DESCRIPTION	DATE	DWN	APVD	
J	-	C	REVISED PER ECR-10-013244	10JUL2010	HMR	TM



AS SHOWN: 1903146-3
(WITH DIN TYPE)

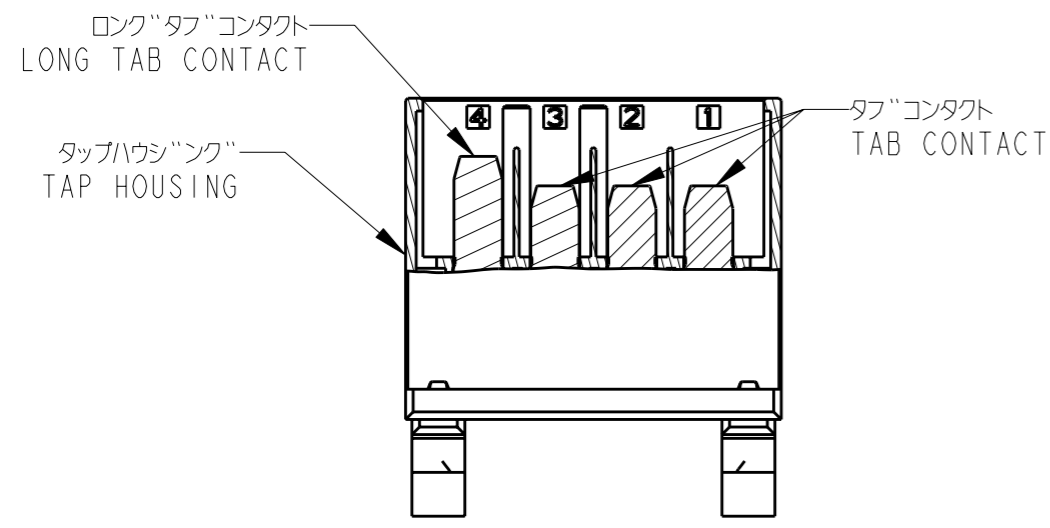


キャップハウジング
CAP HOUSING



- 注記
- 材料:ハウジング:熱可塑性ホリエステル樹脂 黒色
:DIN レール取付部:熱可塑性ホリエステル樹脂 黒色
:コンタクト:銅合金
 - メッキ:コンタクト:全面Ni下地1.3μmMIN.
接点部メッキ0.38μmMIN
 - DINレール取付適用幅は、35±0.3mmとする。

- NOTES
- MATERIAL
:HOUSING:GLASS FIELD THERMO PLASTIC,POLYESTER COLOR:BLACK
:DIN RAIL FOOT:GLASS FIELD THERMO PLASTIC,POLYESTER COLOR:BLACK
:CONTACT:COPPER ALLOY
 - FINISH
:UNDER PLATE:Ni 1.3μm MIN,CONTACT AREA:Au 0.38μm MIN
 - WIDTH OF DIN RAIL ATTACHMENT APPLICATION:35±0.3mm



THIS DRAWING IS A CONTROLLED DOCUMENT FOR TYCO ELECTRONICS CORPORATION IT IS SUBJECT TO CHANGE AND THE CONTROLLING ENGINEERING ORGANIZATION SHOULD BE CONTACTED FOR THE LATEST REVISION.		DWN T. Sakamoto	11OCT2006	Tyco Electronics Tyco Electronics AMP K.K. Kawasaki, Japan	
DIMENSIONS: mm		CHK D. Mitsugi	11OCT2006	NAME DYNATAP CONN. 12P ASSY DYNAMIC D-5200SERIES	
TOLERANCES UNLESS OTHERWISE SPECIFIED: 0 PLC ±- 1 PLC ± ±0.4 2 PLC ± ±3° 3 PLC ± ± 4 PLC ± ± ANGLES ±- ±-		APVD D. Mitsugi	11OCT2006	RESTRICTED TO	
MATERIAL -		PRODUCT SPEC 108-78370	APPLICATION SPEC 114-5206	SIZE A3	CAGE CODE 00779
FINISH -		WEIGHT -	DRAWING NO 1903146		SCALE
CUSTOMER DRAWING		SCALE		SHEET 1	OF 2
				REV C	

4

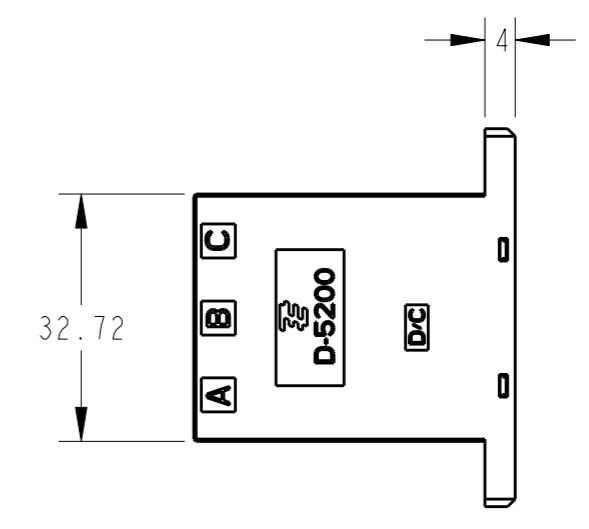
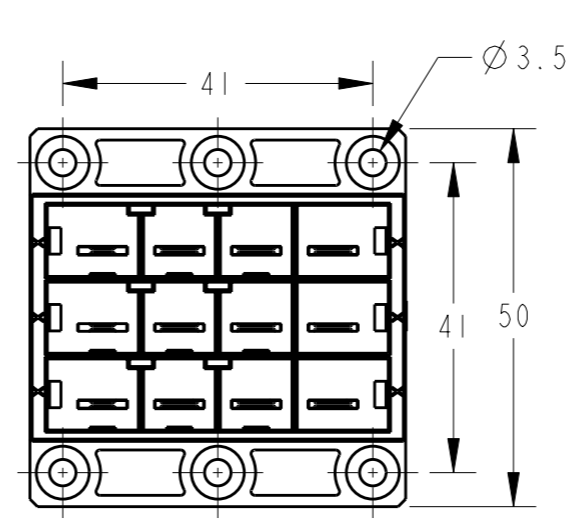
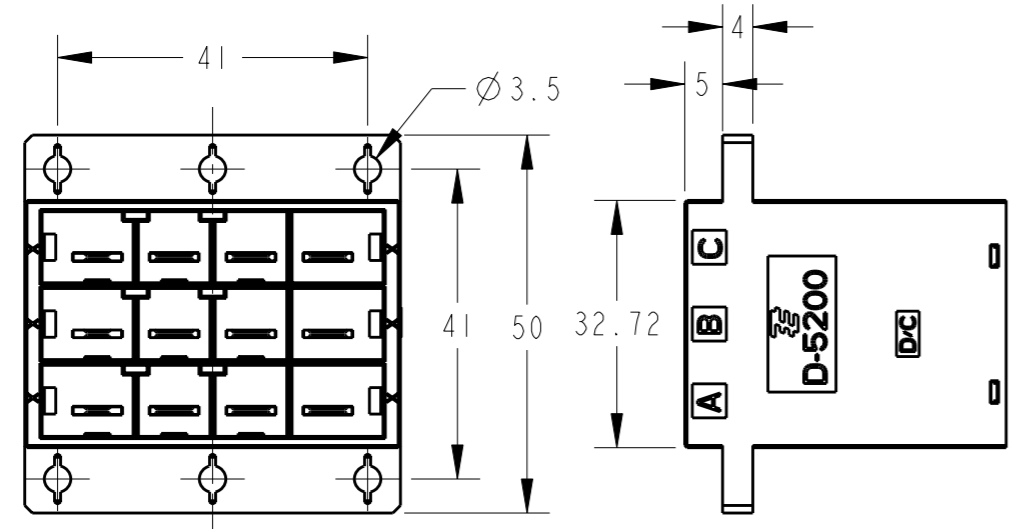
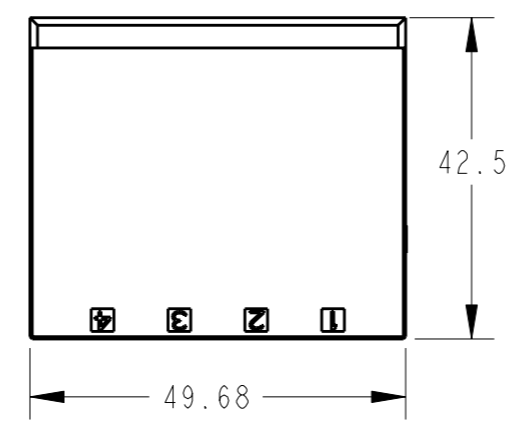
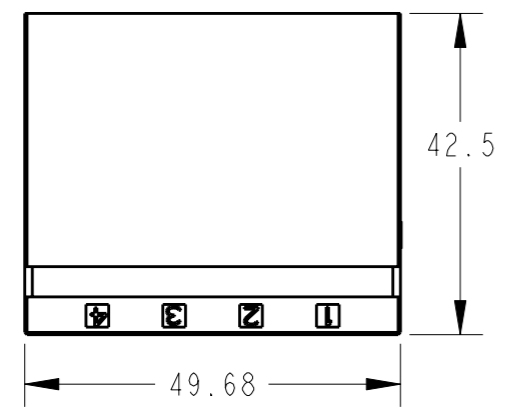
3

2

1

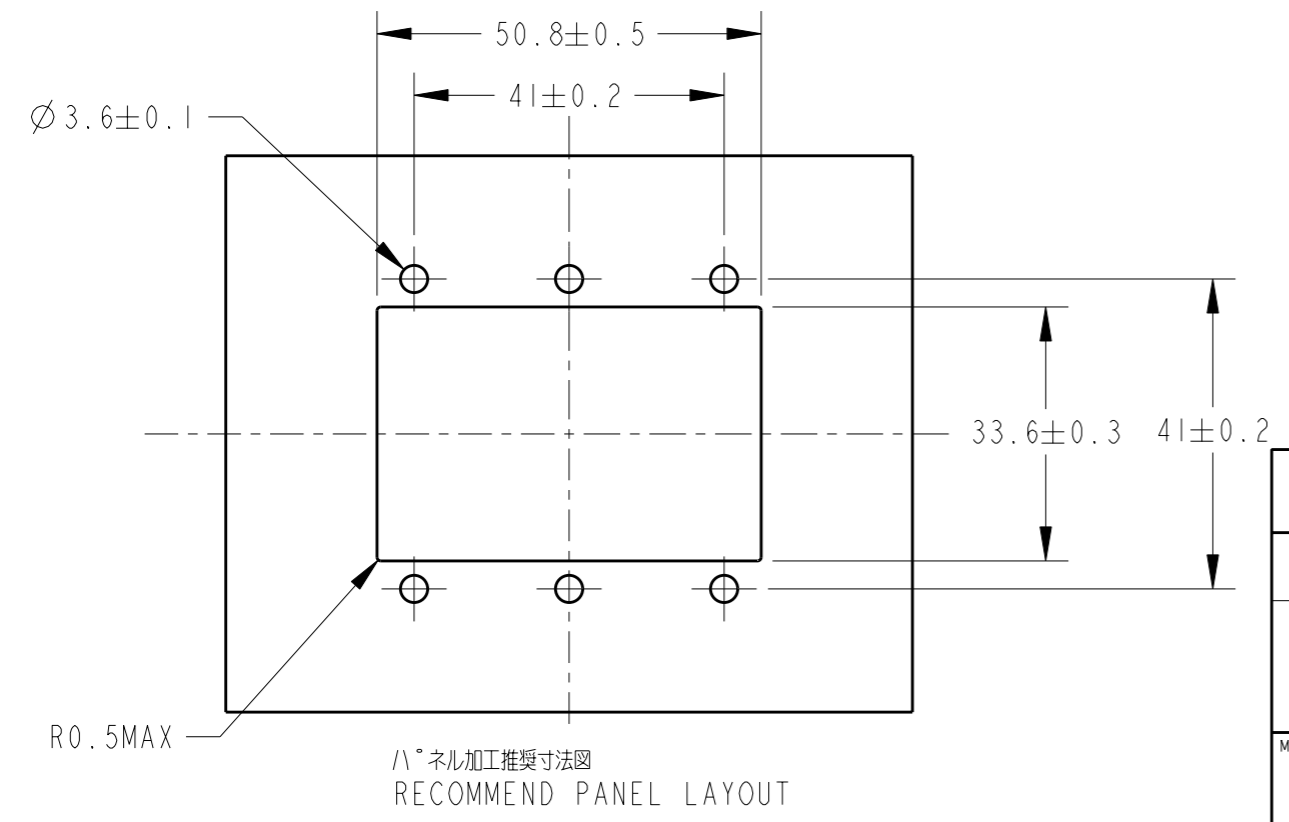
THIS DRAWING IS UNPUBLISHED. RELEASED FOR PUBLICATION 20
 © COPYRIGHT 20 BY TYCO ELECTRONICS CORPORATION. ALL RIGHTS RESERVED.

LOC	DIST	REVISIONS			
P	LTR	DESCRIPTION	DATE	DWN	APVD
J	-	SEE SHEET 1 OF 2	-	-	-



AS SHOWN 1903146-1
(P/M FRONT)

AS SHOWN 1903146-2
(P/M BOTTOM)



THIS DRAWING IS A CONTROLLED DOCUMENT FOR TYCO ELECTRONICS CORPORATION
 IT IS SUBJECT TO CHANGE AND THE CONTROLLING ENGINEERING ORGANIZATION
 SHOULD BE CONTACTED FOR THE LATEST REVISION.

DIMENSIONS:	TOLERANCES UNLESS OTHERWISE SPECIFIED:
mm	0 PLC ± ±0.4
	1 PLC ± ±3°
	2 PLC ± ±
	3 PLC ± ±
	4 PLC ± ±
	ANGLES ± ±
MATERIAL -	FINISH -

DWN T. Sakamoto 11OCT2006	Tyco Electronics AMP K.K. Kawasaki, Japan	
CHK D. Mitsugi 11OCT2006	NAME DYNATAP CONN. 12P ASSY DYNAMIC D-5200SERIES	
APVD D. Mitsugi 11OCT2006	PRODUCT SPEC 108-78370	APPLICATION SPEC 114-5206
MATERIAL -	FINISH -	WEIGHT -
SIZE A3	CAGE CODE 00779	DRAWING NO. C-1903146
CUSTOMER DRAWING		RESTRICTED TO -
SCALE 1:1	SHEET 2 OF 2	REV C