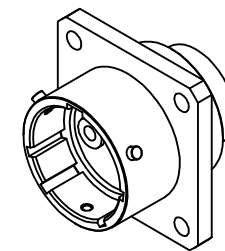
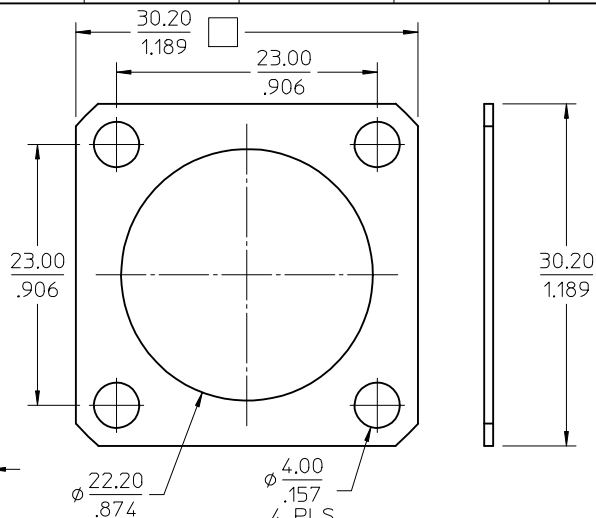
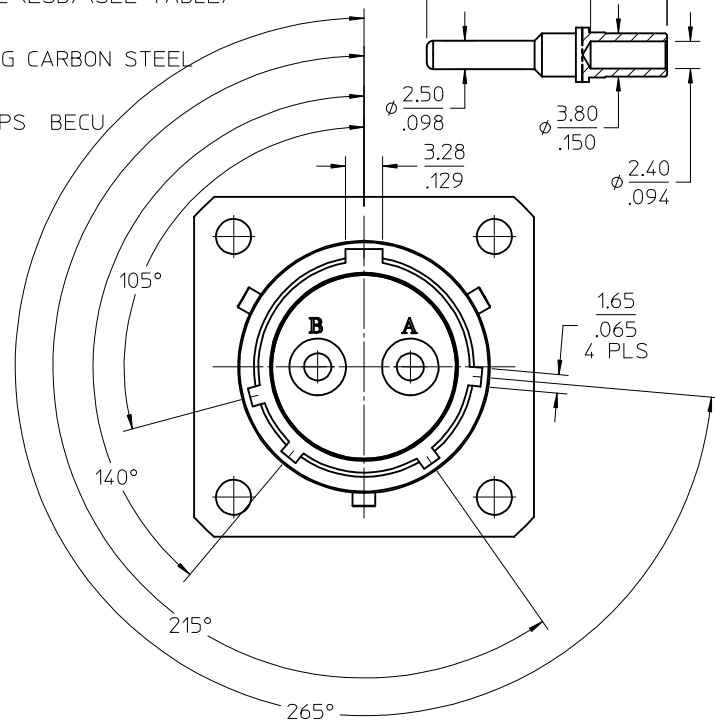


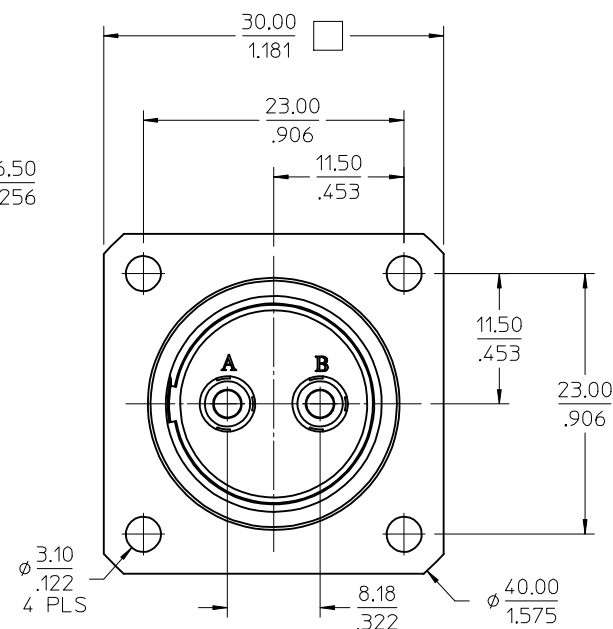
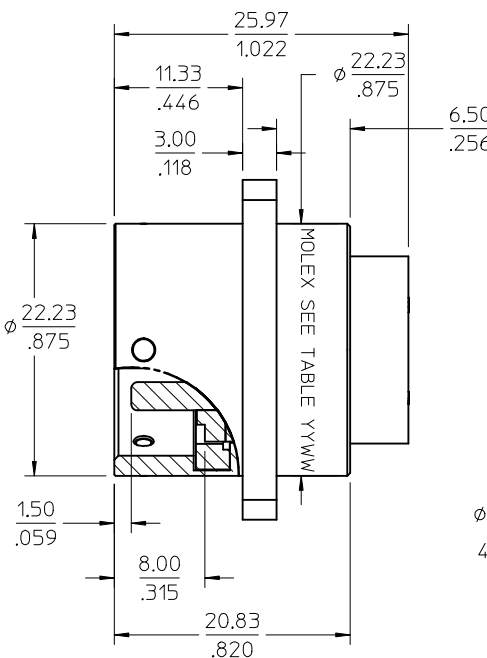
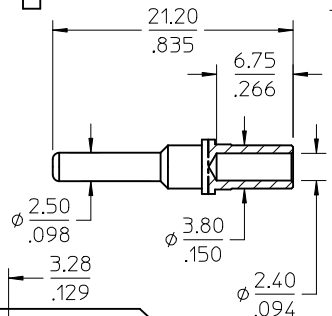
MATERIALS AND FINISHES:
 BODY BRASS, PLATED BRIGHT TIN OVER NICKEL
 INSULATOR PBT 30% GF (BLACK)
 RIVETS STAINLESS STEEL, PASSIVATED
 CONTACTS BRASS
 PLATED GOLD (SEE TABLE)
 ACCEPT WIRE AWG 14 TO 18

SEALS/GASKET SILICONE RUBBER
 EMI GASKET EPDM (SEE TABLE)
 DUST CAP PE (ESD) (SEE TABLE)

RETAINING RING CARBON STEEL
 RETAINING CLIPS BECU



AS SHIPPED



CONTACT SHOWN INSTALLED IN THIS VIEW (FOR REFERENCE ONLY)

SEE SHEET 2 FOR PART NUMBER AND MARKING DETAILS

SUGGESTED CONTACT CRIMP SIZE USING INDENT CRIMP TOOL:
 AWG 14: .085 SETTING WITH ASTRO 615702
 AWG 18: .072 SETTING WITH ASTRO 612548

CHG: ADD -8042 ADD SHEET 2 EC NO: URF2014-0477 DRWN: JWIENER 2014/02/18 CHKD: SSS 2014/02/18 APPR: WSPINK 2014/02/20 REV: A4	QUALITY SYMBOLS	GENERAL TOLERANCES (UNLESS SPECIFIED)	DIMENSION STYLE	SCALE	DESIGN UNITS	THIRD ANGLE PROJECTION																									
		<table border="1"> <thead> <tr> <th></th> <th>mm</th> <th>INCH</th> </tr> </thead> <tbody> <tr> <td>4 PLACES</td> <td>± .005</td> <td>± .0005</td> </tr> <tr> <td>3 PLACES</td> <td>± .005</td> <td>± .0005</td> </tr> <tr> <td>2 PLACES</td> <td>± .005</td> <td>± .0005</td> </tr> <tr> <td>1 PLACE</td> <td>± .005</td> <td>± .0005</td> </tr> </tbody> </table>		mm	INCH	4 PLACES	± .005	± .0005	3 PLACES	± .005	± .0005	2 PLACES	± .005	± .0005	1 PLACE	± .005	± .0005	<table border="1"> <thead> <tr> <th>MM/IN</th> <th>DATE</th> </tr> </thead> <tbody> <tr> <td>DRAWN BY JWIENER</td> <td>2013/01/10</td> </tr> <tr> <td>CHECKED BY SSS</td> <td>2013/01/10</td> </tr> <tr> <td>APPROVED BY JWIENER</td> <td>2013/01/11</td> </tr> </tbody> </table>	MM/IN	DATE	DRAWN BY JWIENER	2013/01/10	CHECKED BY SSS	2013/01/10	APPROVED BY JWIENER	2013/01/11	<table border="1"> <thead> <tr> <th>TITLE</th> </tr> </thead> <tbody> <tr> <td>2 PIN POWER CONNECTOR JACK FLANGE MOUNT EWR-5103 POWER-J/FLG</td> </tr> </tbody> </table>	TITLE	2 PIN POWER CONNECTOR JACK FLANGE MOUNT EWR-5103 POWER-J/FLG	METRIC	
		mm	INCH																												
	4 PLACES	± .005	± .0005																												
3 PLACES	± .005	± .0005																													
2 PLACES	± .005	± .0005																													
1 PLACE	± .005	± .0005																													
MM/IN	DATE																														
DRAWN BY JWIENER	2013/01/10																														
CHECKED BY SSS	2013/01/10																														
APPROVED BY JWIENER	2013/01/11																														
TITLE																															
2 PIN POWER CONNECTOR JACK FLANGE MOUNT EWR-5103 POWER-J/FLG																															
	ANGULAR ± 2°	DRAFT WHERE APPLICABLE MUST REMAIN WITHIN DIMENSIONS	SEE TABLE	MOLEX INCORPORATED	DOCUMENT NO. SD-73415-804	SHEET NO. 1 OF 2																									
			THIS DRAWING CONTAINS INFORMATION THAT IS PROPRIETARY TO MOLEX INCORPORATED AND SHOULD NOT BE USED WITHOUT WRITTEN PERMISSION																												

13 12 11 10 9 8 7 6 5 4 3 2 1

J

I

H

G

F

E

D

C

B

A

73415-8042	N/A	NONE
73415-8041	8 μ -in MIN	CONTACTS, EMI GASKET, CAP
73415-8040	30 μ -in MIN	CONTACTS, EMI GASKET, CAP
PART NO.	GOLD	COMPONENTS SHIPPED WITH ASSEMBLY
& MARKING	THICKNESS	ALL DASH NUMBERS INCLUDE BODY SUBASSEMBLY

CHG: SEE SHEET 1
 EC NO: URF2014-0477
 DRWN: JWIENER 2014/02/18
 CHKD: SSS 2014/02/18
 APPR: WSP/INK 2014/02/20

REV	DESCRIPTION
	QUALITY SYMBOLS
	= 0
	= 0
	= 0

GENERAL TOLERANCES (UNLESS SPECIFIED)

	mm	INCH
4 PLACES	± .005	± .0005
3 PLACES	± .005	± .0005
2 PLACES	± .005	± .0005
1 PLACE	± .005	± .0005
0 PLACE	± .005	± .0005

ANGULAR ± 2 °

DRAFT WHERE APPLICABLE MUST REMAIN WITHIN DIMENSIONS

DIMENSION STYLE	
MM/IN	
DRAWN BY	DATE
JWIENER	2013/01/10
CHECKED BY	DATE
SSS	2013/01/10
APPROVED BY	DATE
JWIENER	2013/01/11

SCALE	DESIGN UNITS	THIRD ANGLE PROJECTION
	METRIC	
TITLE		
2 PIN POWER CONNECTOR JACK FLANGE MOUNT EWR-5103 POWER-J/FLG		
molex		
MATERIAL NO.	DOCUMENT NO.	SHEET NO.
SEE TABLE	SD-73415-804	2 OF 2
THIS DRAWING CONTAINS INFORMATION THAT IS PROPRIETARY TO MOLEX INCORPORATED AND SHOULD NOT BE USED WITHOUT WRITTEN PERMISSION		