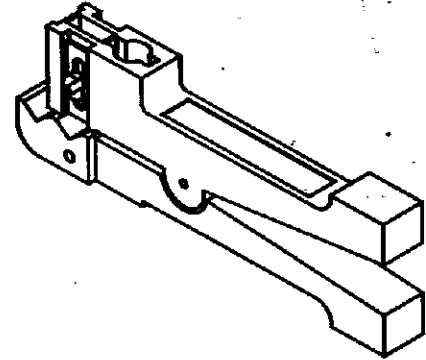
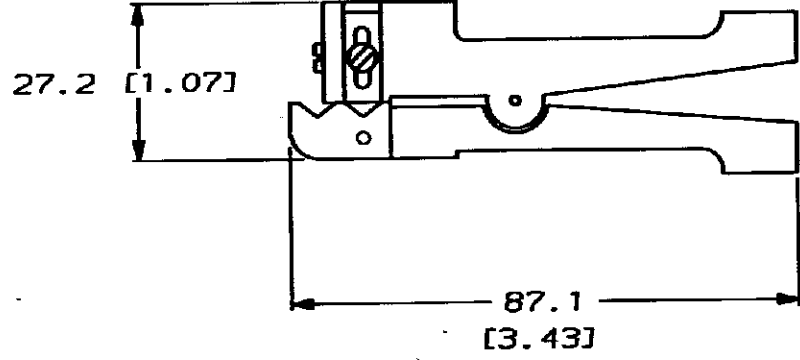
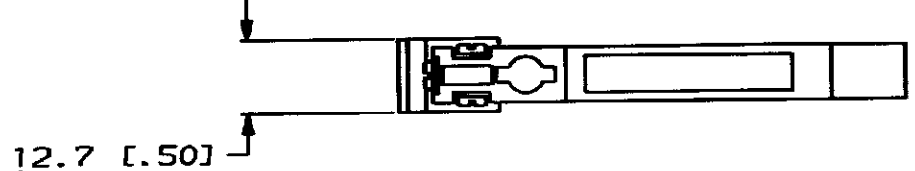


DRAWING MADE IN THIRD ANGLE PROJECTION
 THIS DRAWING IS UNPUBLISHED. RELEASED FOR PUBLICATION, 19
 © COPYRIGHT 19 BY AMP INCORPORATED. ALL INTERNATIONAL RIGHTS RESERVED.

LOC	DIST	P	F	ZONE	LTR	DESCRIPTION	DATE	APPD
CE	16				0	NPR 84-90.	1/29/88	DK

1. DIMENSIONS IN [] ARE IN INCHES



METRIC

		501198-1	
		PART NO	
DO NOT SCALE PRINT. UNLESS SPECIFIED DIMENSIONS IN mm TOLERANCES ON: 1 PLC DEC ± 0.01 (0.03) 2 PLC DEC ± - ANGLES ± -		AMP INCORPORATED Harrisburg, Pa. 17105	
MATERIAL -		NAME CABLE STRIPPER, OPTIMATE	
FINISH -		SIZE B	FSCN NO 00779
APPLICATION SPEC -		DRAWING NO 501198	
WEIGHT -		SCALE NTS	SHEET 1 OF 1

CUSTOMER DRAWING