

5

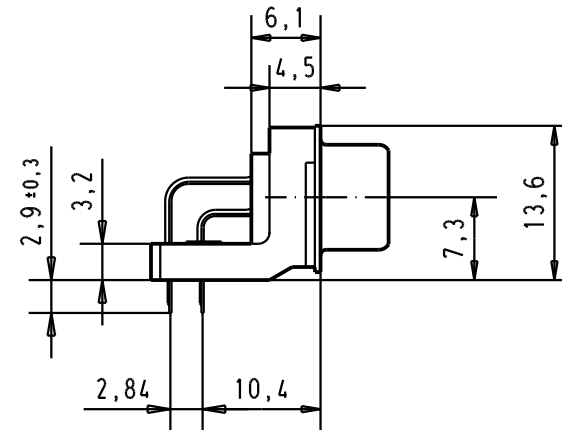
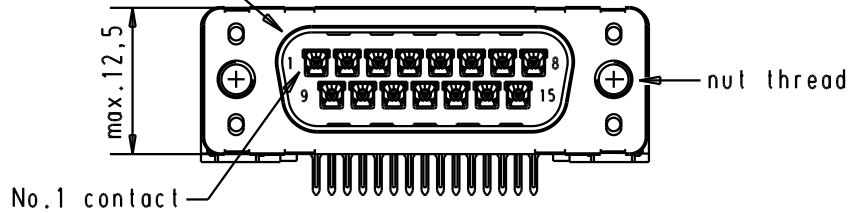
4

3

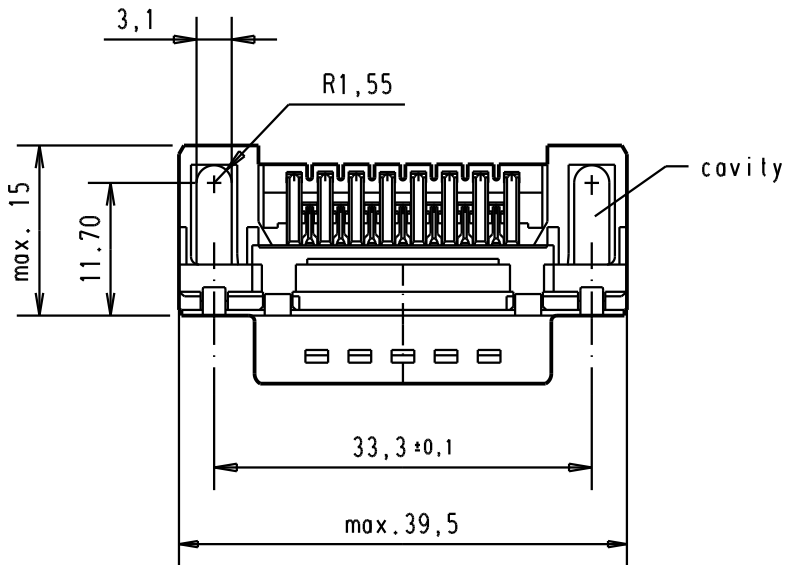
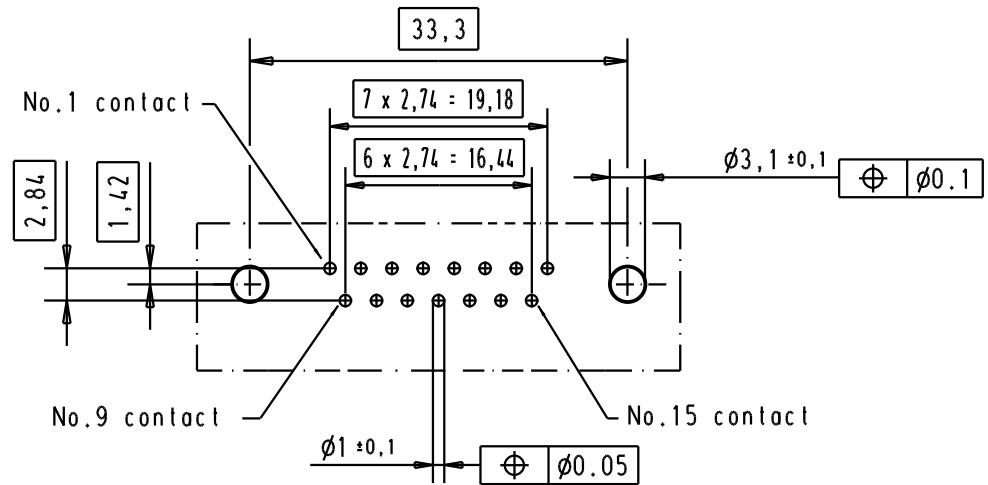
2

1

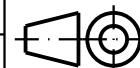
Mating face according to : MIL-C-24308 / DIN 41652 / CECC 75301-802



Printed board layout component side



Part number	Nut thread	Performance level	Mod.	Dat.	Name	Dat.	Name
09 65 223 3801	M3	1					
09 65 223 6801	M3	2				Detail.	13/dec/00 ALSPACE
09 65 223 7801	M3	3	31892	22/04/04	JH	Insp.	
09 65 223 3802	4-40 UNC	1	29773	18-APR-02	CV	Stand.	
09 65 223 6802	4-40 UNC	2	29689	02/07/01	AA		
09 65 223 7802	4-40 UNC	3	27960	13/dec/00	ALSPACE		
						HARTING EURL F-95972 Paris	



All Dim. in mm
Orig. Size DIN A 4



D-Sub, male, Standard angle,
15 poles, with solder pin,
nut and hole

TB 0965223x80x

Sub.

Maßstab/
Scale

1.5:1

Blatt/ Page

2

D

C

B

A