

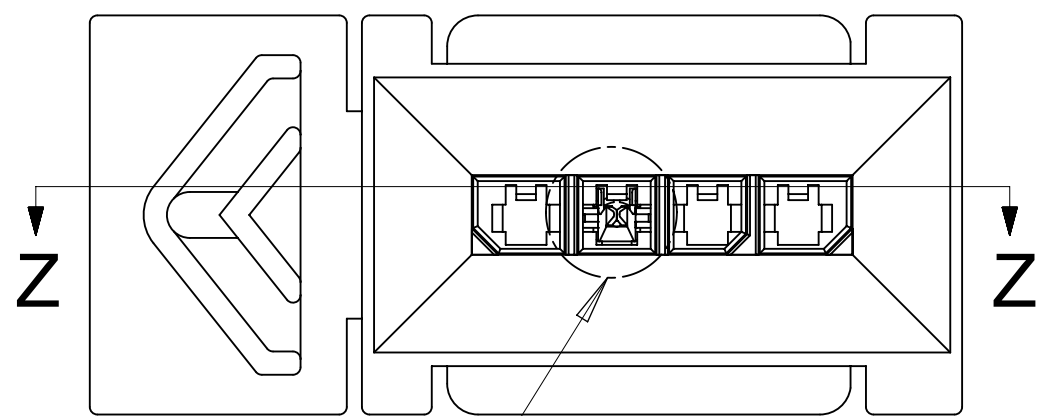
NOTES:

1. MATERIAL:
UNFILLED NYLON, UL94V-0 (HALOGEN-FREE), COLOR - BLACK.
2. FINISH: N/A
3. PRODUCT SPECIFICATION: PS-44300-001
4. PACKAGING SPECIFICATION: BULK PACKED PER 466250000-PK
5. THIS PLUG MATES WITH MOLEX SINGLE ROW BMI RECEPTACLE SERIES 46623.
6. THIS PLUG TO BE USED WITH MOLEX MALE CRIMP TERMINAL 43031-0***
7. THIS PLUG IS DESIGNED FOR USE WITH 1.57/.062 MAXIMUM TO 1.27/.050 MINIMUM THICK PANELS.
8. HOUSING MAY EXHIBIT A SURFACE IMPERFECTION KNOWN AS "SINK MARKS" UP TO 0.60/.024 MAX. THIS IS COSMETIC DEFECT AND DOES NOT AFFECT FUNCTION OF THE CONNECTOR.
9. THIS PART CONFORMS TO CLASS 'B' REQUIREMENTS OF COSMETIC SPECIFICATION PS-45499-002.
10. TEXT ON PART IS FOR REFERENCE ONLY. TEXT AND TEXT LOCATION MAY VARY DEPENDING ON PART NUMBER AND/OR TOOL.

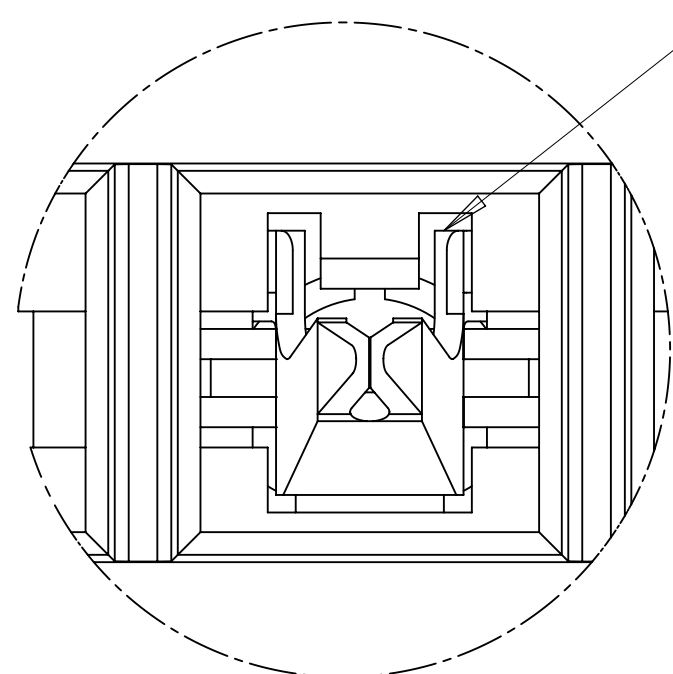
CKT SIZE	MATERIAL NUMBER	DIM "B"	DIM "C"	DIM "G"	DIM "H"
02	46625-0200	$\frac{3.00}{.118}$	$\frac{20.3}{.80}$	$\frac{14.85}{.585}$	$\frac{20.85}{.821}$
03	46625-0300	$\frac{6.00}{.236}$	$\frac{23.3}{.92}$	$\frac{17.85}{.703}$	$\frac{23.85}{.939}$
04	46625-0400	$\frac{9.00}{.354}$	$\frac{26.3}{1.04}$	$\frac{20.85}{.821}$	$\frac{26.85}{1.057}$
05	46625-0500	$\frac{12.00}{.472}$	$\frac{29.3}{1.16}$	$\frac{23.85}{.939}$	$\frac{29.85}{1.175}$
06	46625-0600	$\frac{15.00}{.591}$	$\frac{32.3}{1.28}$	$\frac{26.85}{1.057}$	$\frac{32.85}{1.293}$
07	46625-0700	$\frac{18.00}{.709}$	$\frac{35.3}{1.39}$	$\frac{29.85}{1.175}$	$\frac{35.85}{1.411}$
08	46625-0800	$\frac{21.00}{.827}$	$\frac{38.3}{1.51}$	$\frac{32.85}{1.293}$	$\frac{38.85}{1.530}$
09	46625-0900	$\frac{24.00}{.945}$	$\frac{41.3}{1.63}$	$\frac{35.85}{1.411}$	$\frac{41.85}{1.648}$
10	46625-1000	$\frac{27.00}{1.063}$	$\frac{44.3}{1.75}$	$\frac{38.85}{1.530}$	$\frac{44.85}{1.766}$
11	46625-1100	$\frac{30.00}{1.181}$	$\frac{47.3}{1.87}$	$\frac{41.85}{1.648}$	$\frac{47.85}{1.884}$
12	46625-1200	$\frac{33.00}{1.299}$	$\frac{50.3}{1.98}$	$\frac{44.85}{1.766}$	$\frac{50.85}{2.002}$

RELEASE STATUS: P1 RELEASE DATE: 28.07.2017 16:42:00 MODEL: TM-46625-0000

QUALITY SYMBOLS ▽ = 0 ▽ = 0 ▽ = 0 ▽ = 0 ▽ = 0 ▽ = 0 ▽ = 0 ▽ = 0 ▽ = 0 ▽ = 0 ▽ = 0 ▽ = 0 ▽ = 0 ▽ = 0	THIS DRAWING CONTAINS INFORMATION THAT IS PROPRIETARY TO MOLEX ELECTRONIC TECHNOLOGIES, LLC AND SHOULD NOT BE USED WITHOUT WRITTEN PERMISSION		DIMENSION UNITS: MM/IN SCALE: 4:1				
	EC NO: 118630 DRWN: MKIPPER CHKD: SSOUSEK REV / APPR: FSMITH	2017/06/27 2017/07/19 2017/07/28	GENERAL TOLERANCES (UNLESS SPECIFIED)			DRWN BY: BANDERSON	DATE: 2012/05/25
			4 PLACES ± ±			CHK'D BY: BANDERSON	DATE: 2012/05/25
			3 PLACES ± ± 0.01			APPR BY: FSMITH	DATE: 2012/09/25
			2 PLACES ± 0.25 ± 0.014			DRAWING SIZE: C	
	1 PLACES ± 0.35 ±		THIRD ANGLE PROJECTION			PRODUCT CUSTOMER DRAWING SERIES: 46625 MATERIAL NUMBER: SEE CHART CUSTOMER: GENERAL MARKET DOCUMENT NUMBER: SD-46625-001 DOC TYPE: PSD DOC PART: 001 SHEET NUMBER: 1 OF 2	
	0 PLACES ± ±		ANGULAR TOL = 0.5				
	DRAFT WHERE APPLICABLE MUST REMAIN WITHIN DIMENSIONS						

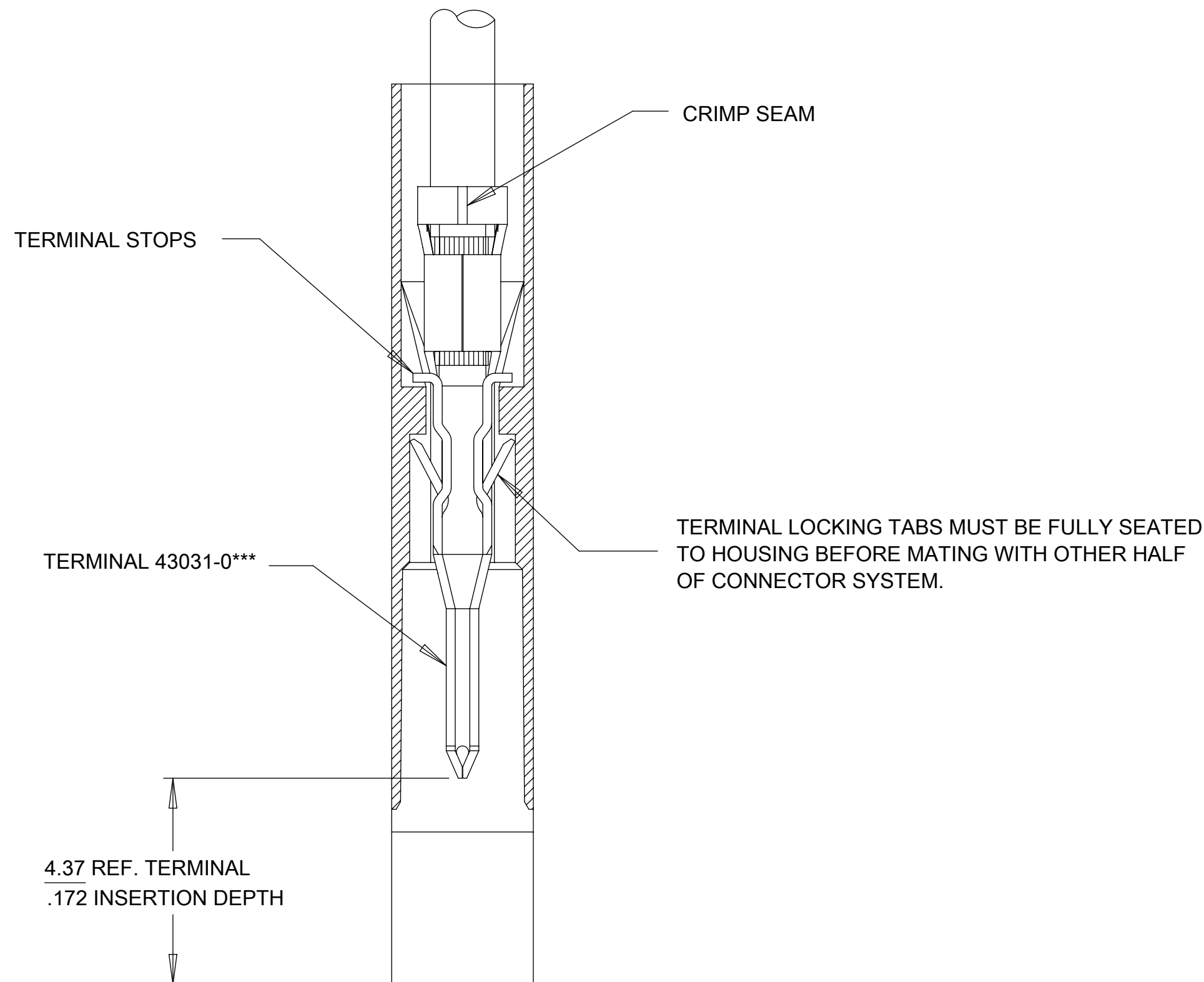


SEE DETAIL 1



TERMINAL ORIENTATION:
STOP TABS AND CRIMP SEAM FACE UP.

DETAIL 1
SCALE 20:1



SECTION Z-Z
(SCALE 10:1)

QUALITY SYMBOLS 	THIS DRAWING CONTAINS INFORMATION THAT IS PROPRIETARY TO MOLEX ELECTRONIC TECHNOLOGIES, LLC AND SHOULD NOT BE USED WITHOUT WRITTEN PERMISSION										
	RELEASED EC NO: 118630 DRWN: MKIPPER CHKD: SSOUSEK REV / APPR: FSMITH	2017/06/27		2017/07/19		2017/07/28		GENERAL TOLERANCES (UNLESS SPECIFIED)		DIMENSION UNITS: MM/IN SCALE: 1:1	
		4 PLACES ±		±				DRWN BY: BANDERSON		DATE: 2012/05/25	
		3 PLACES ±		± 0.01				CHK'D BY: BANDERSON		DATE: 2012/05/25	
		2 PLACES ±		± 0.25		± 0.014		APPR BY: FSMITH		DATE: 2012/09/25	
		1 PLACES ±		± 0.35		±		DRAWING SIZE: C		THIRD ANGLE PROJECTION	
	0 PLACES ±		±		±		ANGULAR TOL = 0.5		DRAFT WHERE APPLICABLE MUST REMAIN WITHIN DIMENSIONS		
	A		A		A		A		A		
	A		A		A		A		A		
	A		A		A		A		A		
A		A		A		A		A			

molex

MICRO-FIT (3.0) BMI SINGLE ROW PLUG
PANEL MOUNT, 2-12 CIRCUIT

PRODUCT CUSTOMER DRAWING

SERIES: 46625 MATERIAL NUMBER: SEE CHART CUSTOMER: GENERAL MARKET

DOCUMENT NUMBER: SD-46625-001 DOC TYPE: PSD DOC PART: 001 SHEET NUMBER: 2 OF 2