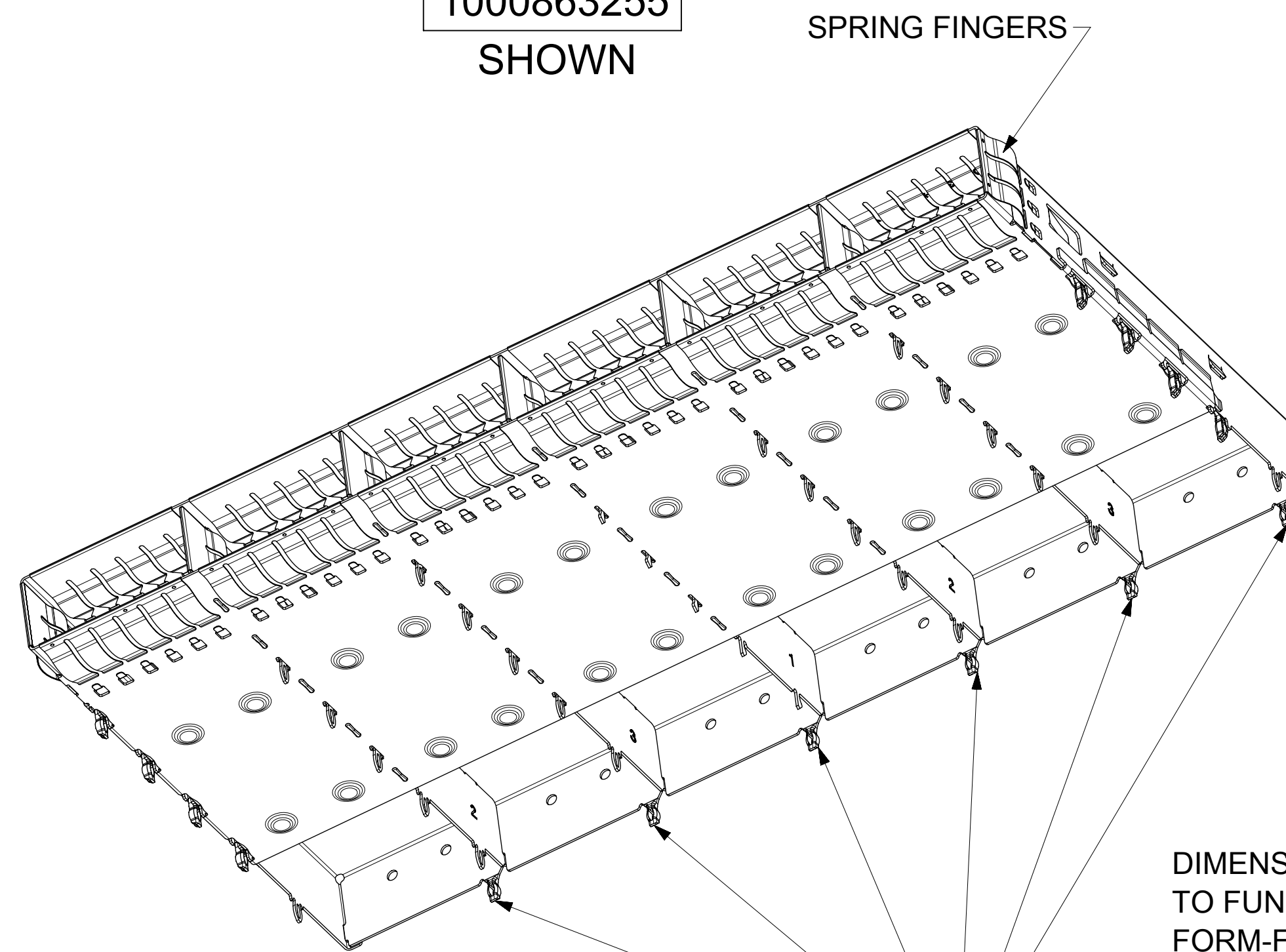
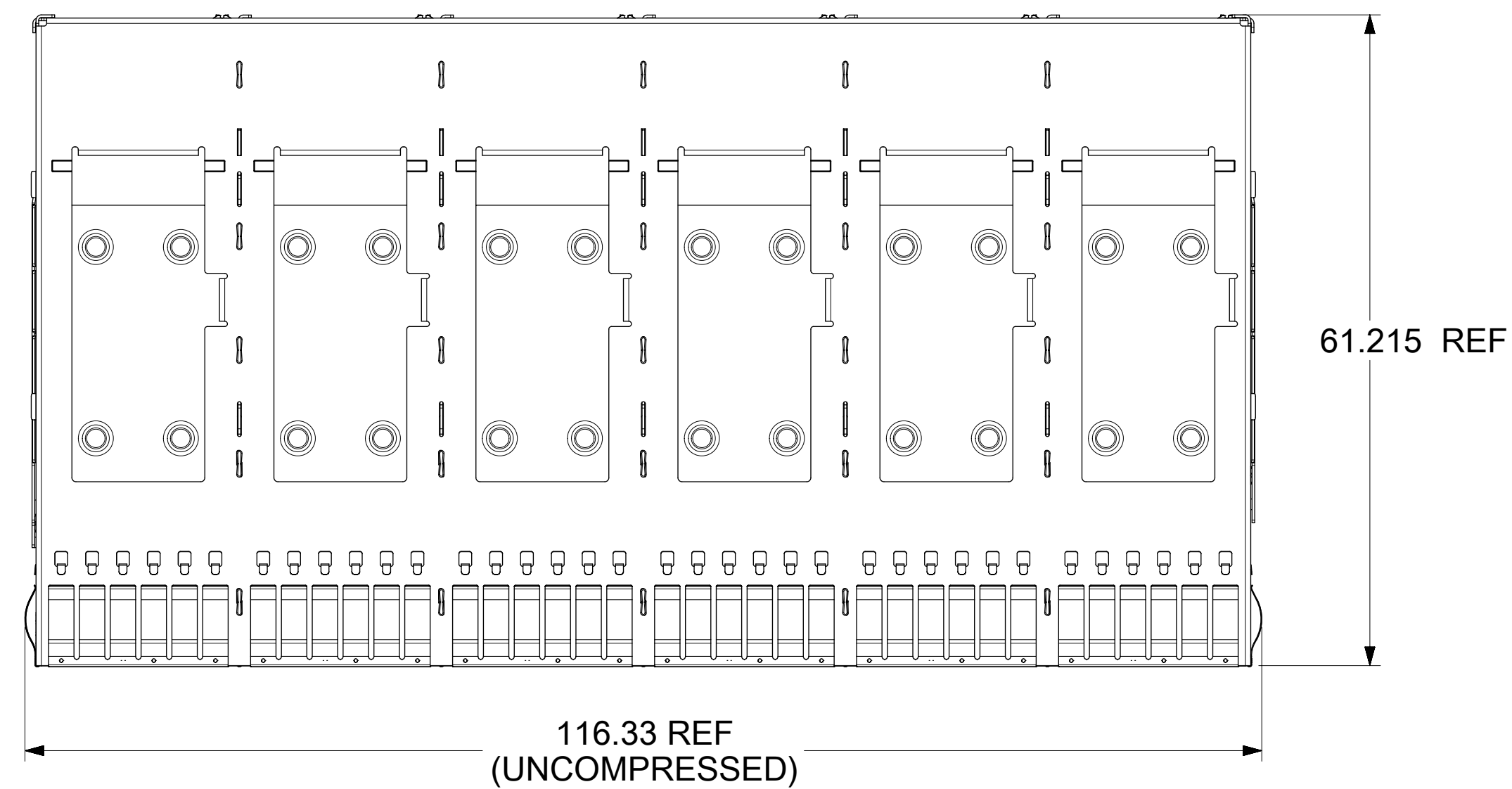
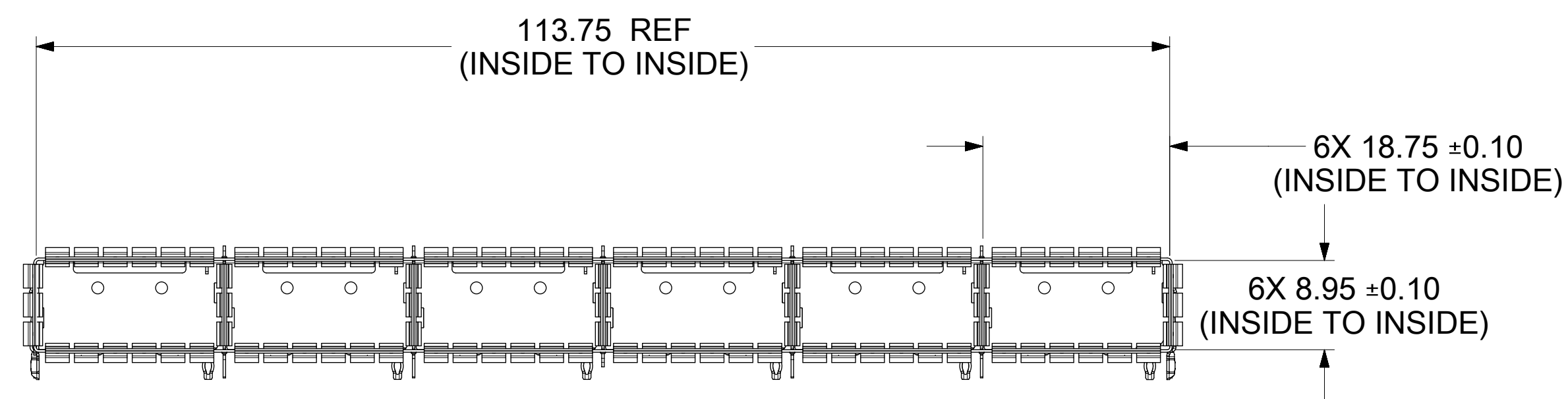


# BASE CAGE DETAILS

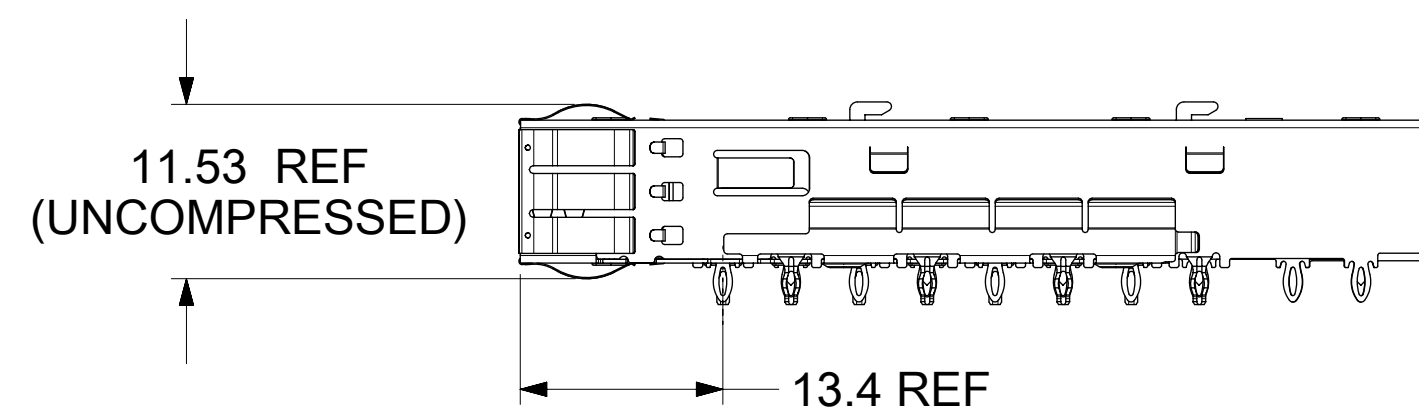
1000863255  
SHOWN



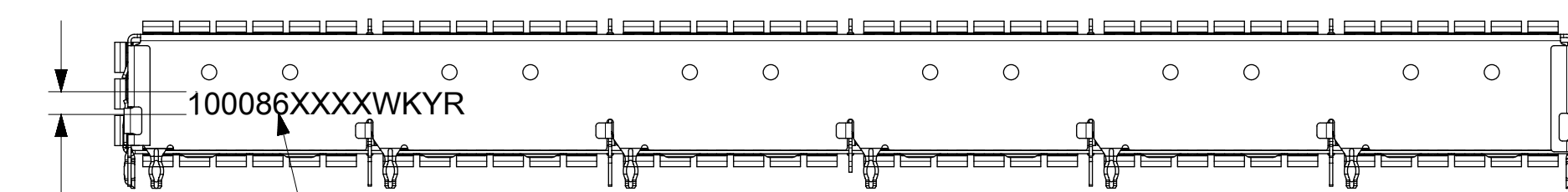
DIMENSIONS OF EACH INNER CAGE DESIGNED TO FUNCTION WITH QUAD SMALL FORM-FACTOR (zQSFP+) TRANSCEIVER



REAR LEGS OPTIONAL  
(SEE TABLE ON SHEET 3)



1.8 ±0.25



P/N AND WEEK/YEAR DATE CODE TO BE PRINTED ON BACK OF COMPLETED CAGE ASSEMBLY APPROXIMATELY AS SHOWN. SEE TABLE BELOW FOR DATE CODE INFORMATION.

FEATURES USED WITH OPTIONAL HEAT SINKS

- NOTES:
- MATERIAL: CAGE: STAINLESS STEEL  
CENTER WALLS: STAINLESS STEEL  
SPRING FINGERS: STAINLESS STEEL  
HEAT SINKS: NICKEL PLATED ALUMINUM  
HEAT SINK CLIP: STAINLESS STEEL  
LIGHT PIPES: POLYCARBONATE (UL 94-V-0)
  - DIMENSIONS MARKED  $\nabla$  ARE CRITICAL TO FUNCTION OF THE PART AND MUST BE INSPECTED
  - DRAWING APPLIES TO ALL P/N'S SHOWN ON PAGE 3
  - DURING INCOMING INSPECTION, CAGE LEG LOCATIONS AND STRAIGHTNESS MUST BE CHECKED USING APPROPRIATE GO - NO GO GAGE
  - DURING INCOMING INSPECTION, CAGE MUST BE INSPECTED TO MAKE SURE LEG CONFIGURATIONS AND PART NUMBERS ARE CORRECT, USE SHEETS 3, 4 AND 5
  - PARTS TO BE INSPECTED PER MOLEX COSMETIC SPEC WI-HP-7-2774 (CLASS B UNLESS OTHERWISE SPECIFIED)
  - PRESS-FIT LEGS 2.44 LONG -  
1.57 MINIMUM PCB THICKNESS FOR SINGLE SIDED USE.  
3.00 MINIMUM PCB THICKNESS FOR BELLY TO BELLY USE.
  - NO RoHS EXEMPTIONS
  - WELD SPOTS MAY SHOW SLIGHT MATERIAL DISCOLORATION

WEEK/YEAR DATE CODE TABLE	
WK	WEEK OF THE YEAR 01 THRU 52 (EXAMPLE: 01= FIRST WEEK OF YEAR 52= LAST WEEK OF YEAR)
YR	18, 19, 20 ETC.. (EXAMPLE: YEAR 2022= 18)

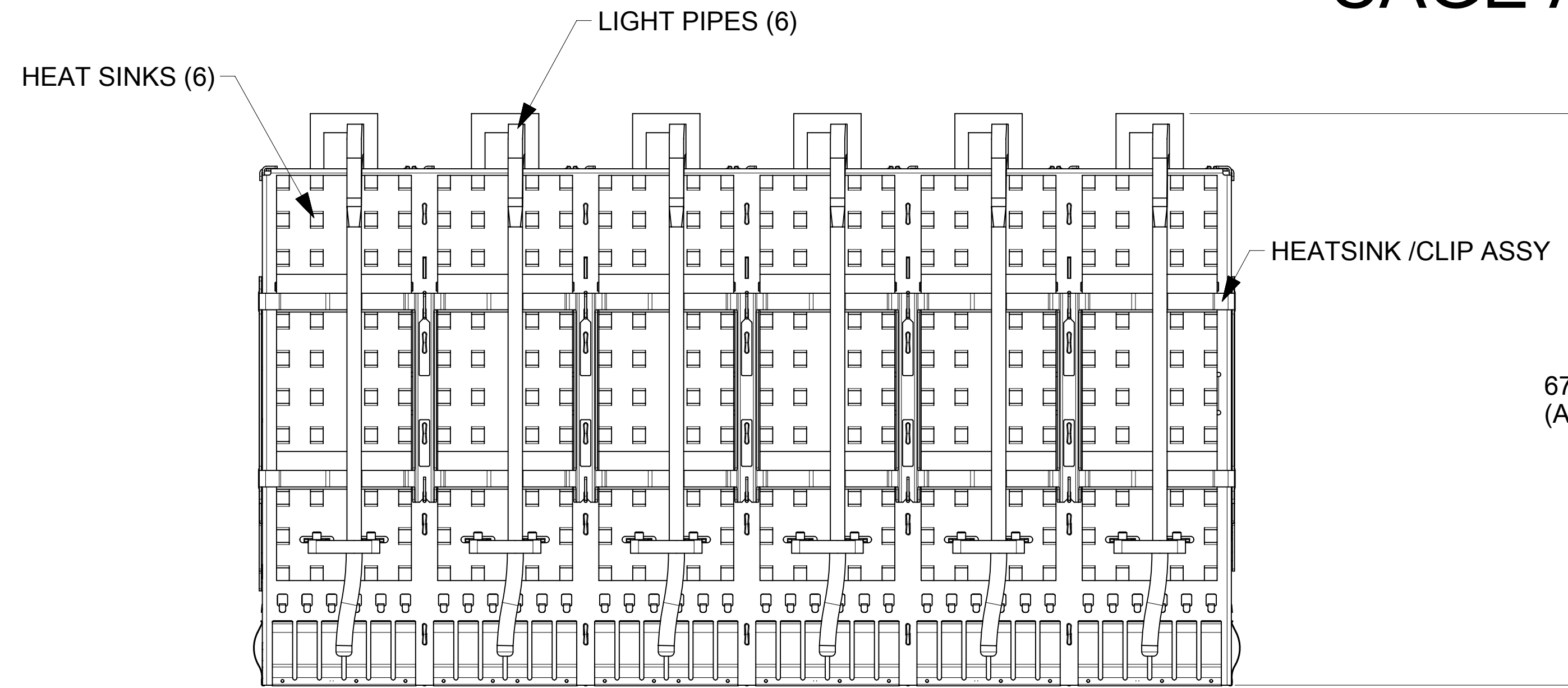
SYMBOLS	THIS DRAWING CONTAINS INFORMATION THAT IS PROPRIETARY TO MOLEX ELECTRONIC TECHNOLOGIES, LLC AND SHOULD NOT BE USED WITHOUT WRITTEN PERMISSION		CURRENT REV DESC: SEE REVISION TABLE	
$\nabla$ = 0	DIMENSION UNITS	SCALE		
$\nabla$ = 0	mm	2:1		
$\nabla$ = 0	GENERAL TOLERANCES (UNLESS SPECIFIED)			
$\nabla$ = 0	ANGULAR TOL	± 2.0°		
$\nabla$ = 0	4 PLACES	±		
$\nabla$ = 0	3 PLACES	±		
$\nabla$ = 0	2 PLACES	± 0.13		
$\nabla$ = 0	1 PLACE	± 0.25		
$\nabla$ = 0	0 PLACES	±		
$\nabla$ = 0	DRAFT WHERE APPLICABLE MUST REMAIN WITHIN DIMENSIONS		THIRD ANGLE PROJECTION	DRAWING SERIES
$\nabla$ = 0				D-SIZE 100086
			EC NO: 698881	1X6 ZQSFP+ GANGED CAGE, W/ SUS TAB TYPE SPRING FINGER, H/S & L/P OPTIONS
			DRWN: SHIVAA4 2022/02/17	
			CHK'D: TKUMARKC 2022/03/10	
			APPR: JCHIANG 2022/03/17	
			INITIAL REVISION:	
			DRWN: SHIVAA4 2022/02/17	
			APPR: JCHIANG 2022/03/17	
			DOCUMENT NUMBER	DOC TYPE DOC PART REVISION
			1000863200	PSD ASY A
			MATERIAL NUMBER	CUSTOMER SHEET NUMBER
			SEE P/N TABLE	GENERAL MARKET 1 OF 7

DOCUMENT STATUS	P1	RELEASE DATE	2022/03/17	02:54:30
19	18	17	16	15

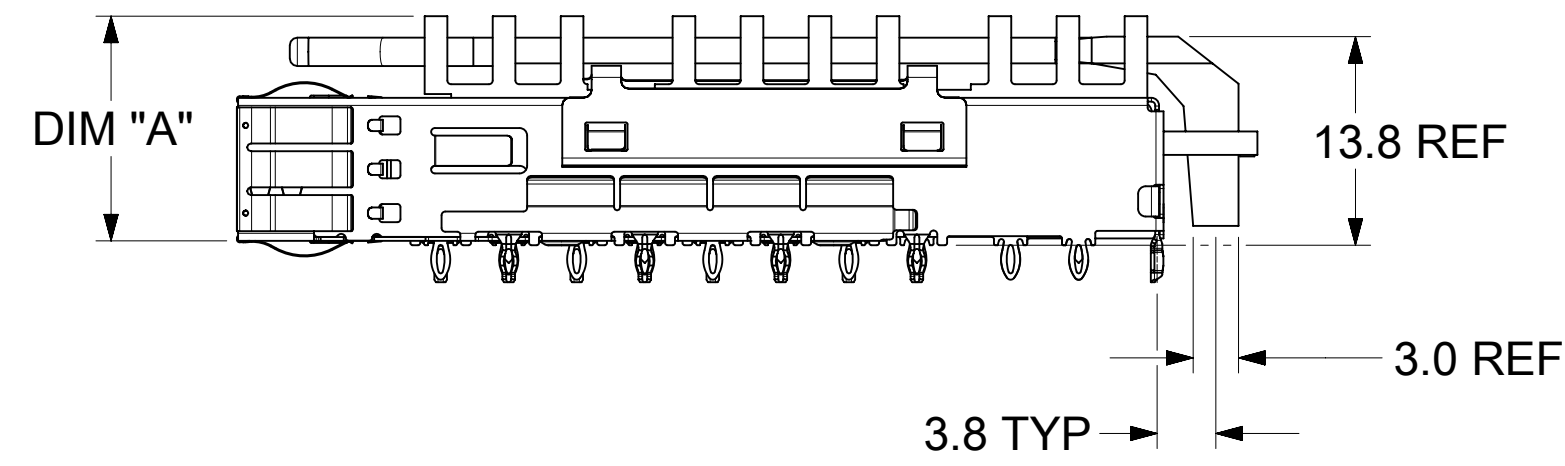
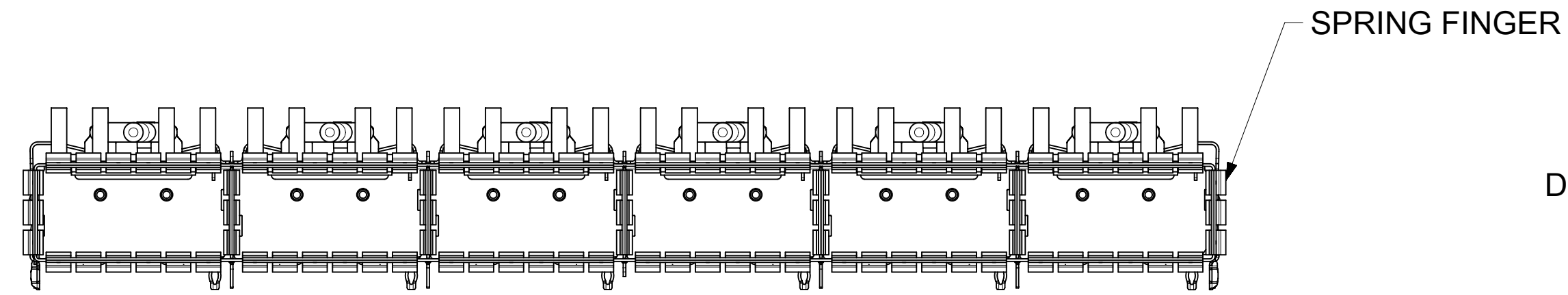
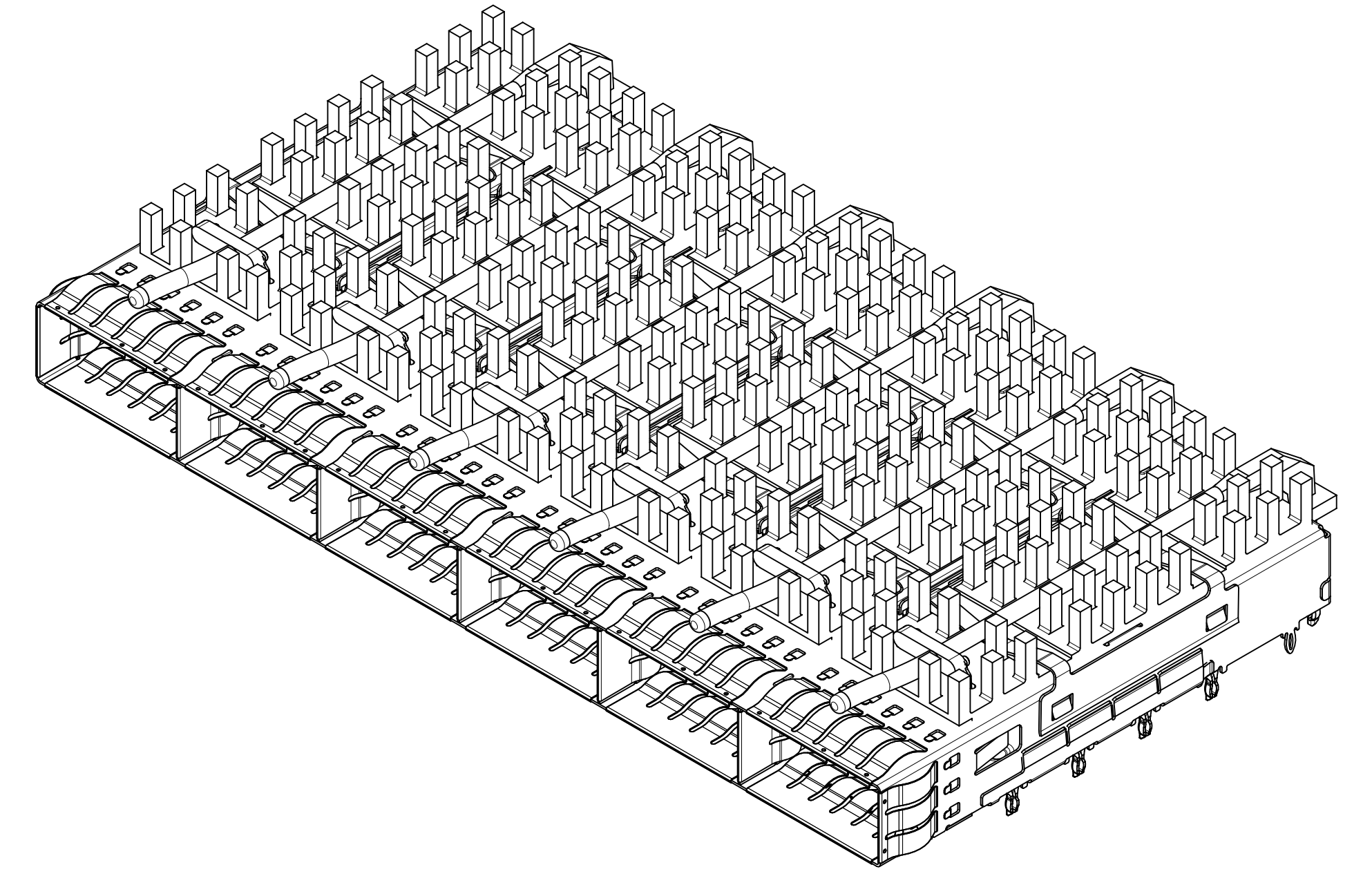
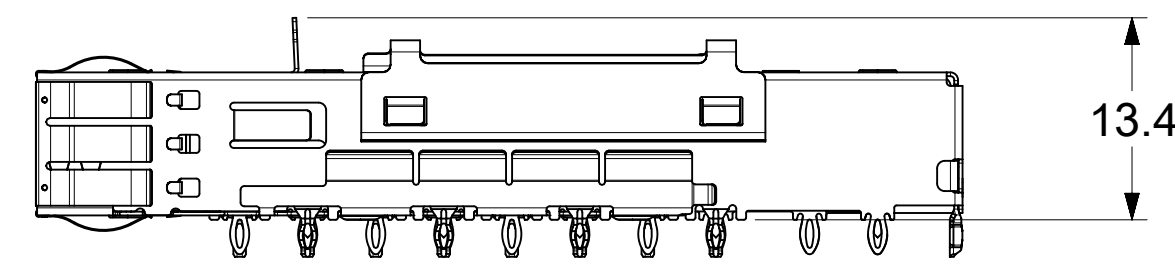
# CAGE ASSEMBLY OPTIONS

1000869541

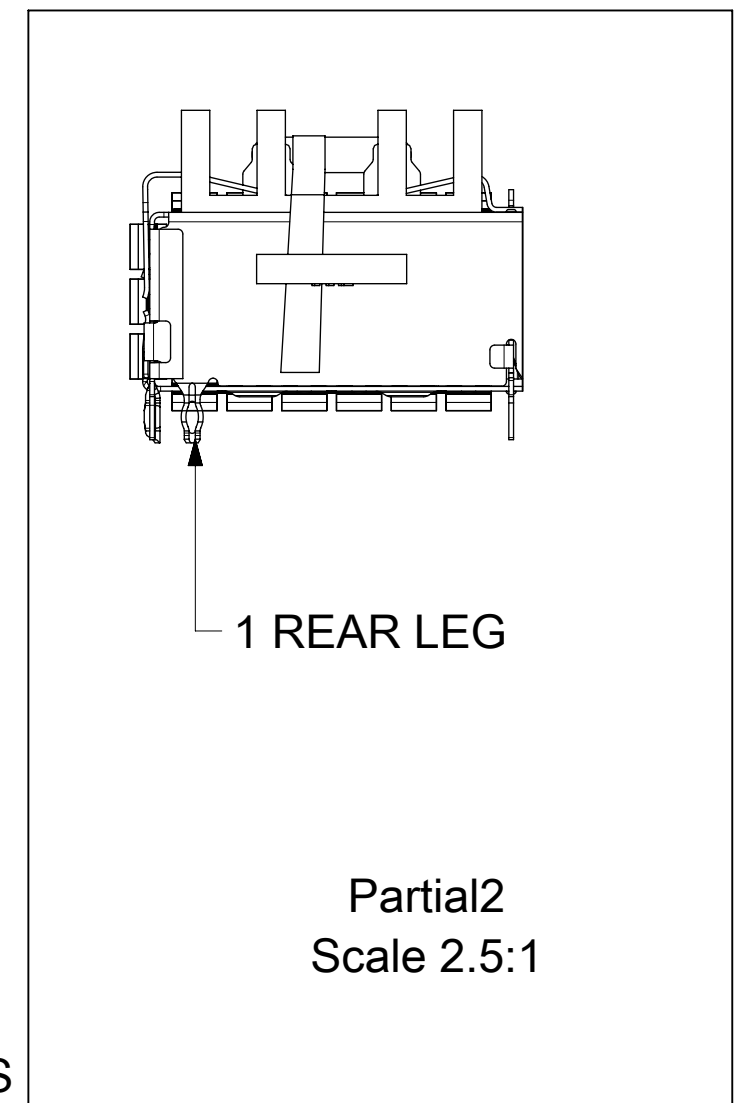
SHOWN



67.43 REF(6)  
(APPLIES TO ALL L/P APPLICATIONS)



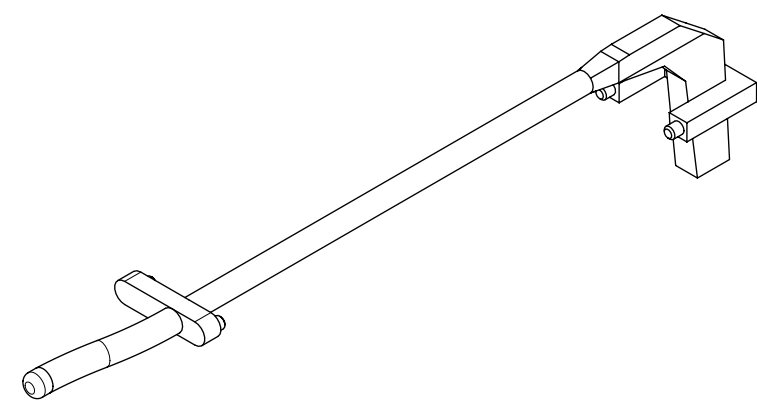
## REAR LEG OPTIONS



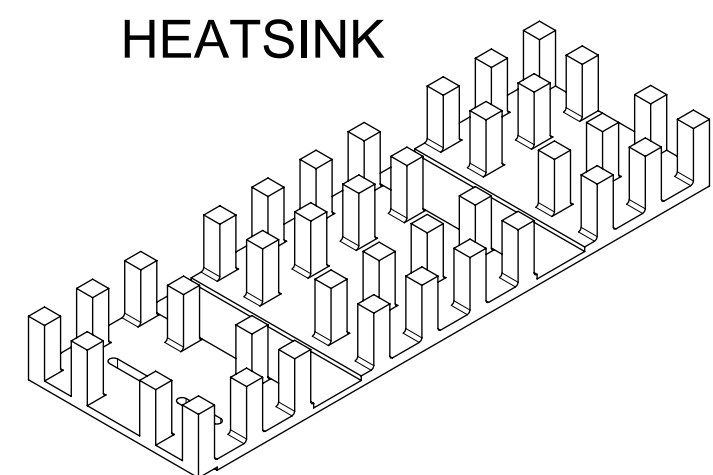
## HEATSINK AND LIGHT PIPE COMBINATIONS

HEATSINK  
USED  
WITHOUT  
LIGHTPIPE

SINGLE LIGHT PIPE



HEATSINK



## HEATSINK HEIGHT OPTIONS

OVERALL HEAT SINK HEIGHT	DIM "A"
PCI	13.7 REF
SAN	16.0 REF
NET	23.0 REF

HEIGHT OF HEAT SINK WITH MODULE INSERTED.  
DIMENSION MAY BE LESS DUE TO MODULE AND HEAT SINK VARIATIONS

SYMBOLS	THIS DRAWING CONTAINS INFORMATION THAT IS PROPRIETARY TO MOLEX ELECTRONIC TECHNOLOGIES, LLC AND SHOULD NOT BE USED WITHOUT WRITTEN PERMISSION		CURRENT REV DESC: SEE REVISION TABLE	
DIMENSION UNITS	SCALE			
▽ = 0	mm	2:1		
▽ = 0	GENERAL TOLERANCES (UNLESS SPECIFIED)			
▽ = 0	ANGULAR TOL ± 2.0°			
▽ = 0	4 PLACES	±	EC NO: 698881	
▽ = 0	3 PLACES	±	DRWN: SHIVAA4 2022/02/17	
▽ = 0	2 PLACES	± 0.13	CHK'D: TKUMARKC 2022/03/10	
▽ = 0	1 PLACE	± 0.25	APPR: JCHIANG 2022/03/17	
▽ = 0	0 PLACES	±	INITIAL REVISION:	
⊠ = 0	DRAFT WHERE APPLICABLE MUST REMAIN WITHIN DIMENSIONS		DRWN: SHIVAA4 2022/02/17	
⊠ = 0	THIRD ANGLE PROJECTION		APPR: JCHIANG 2022/03/17	
⊠ = 0	DRAWING		SERIES	
⊠ = 0	D-SIZE		100086	
DOCUMENT NUMBER		DOC TYPE	DOC PART	REVISION
1000863200		PSD	ASY	A
MATERIAL NUMBER		CUSTOMER		SHEET NUMBER
SEE P/N TABLE		GENERAL MARKET		2 OF 7

**molex**

1X6 ZQSFP+ GANGED CAGE, W/ SUS TAB TYPE  
SPRING FINGER, H/S & L/P OPTIONS

PRODUCT CUSTOMER DRAWING

DOCUMENT NUMBER DOC TYPE DOC PART REVISION

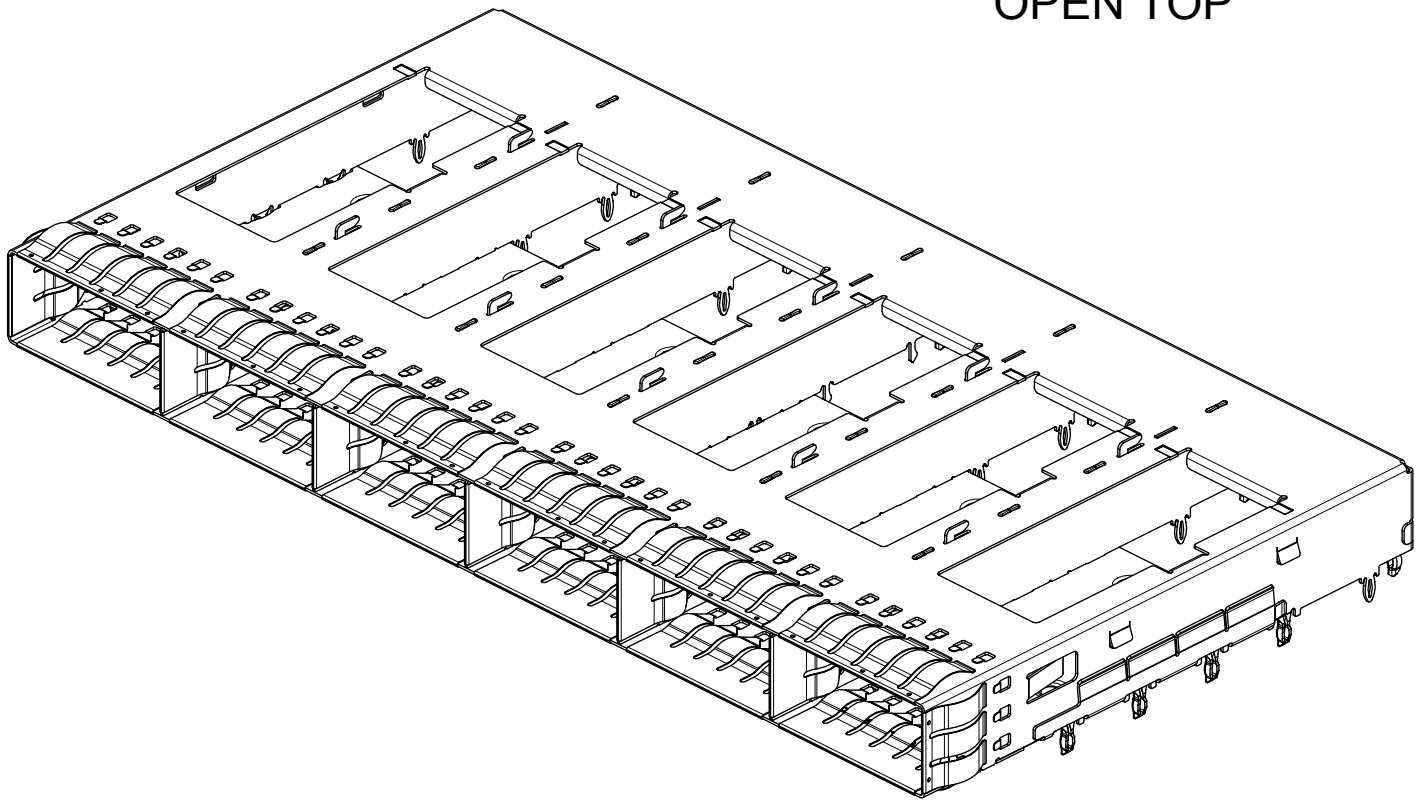
1000863200 PSD ASY A

MATERIAL NUMBER CUSTOMER SHEET NUMBER

SEE P/N TABLE GENERAL MARKET 2 OF 7

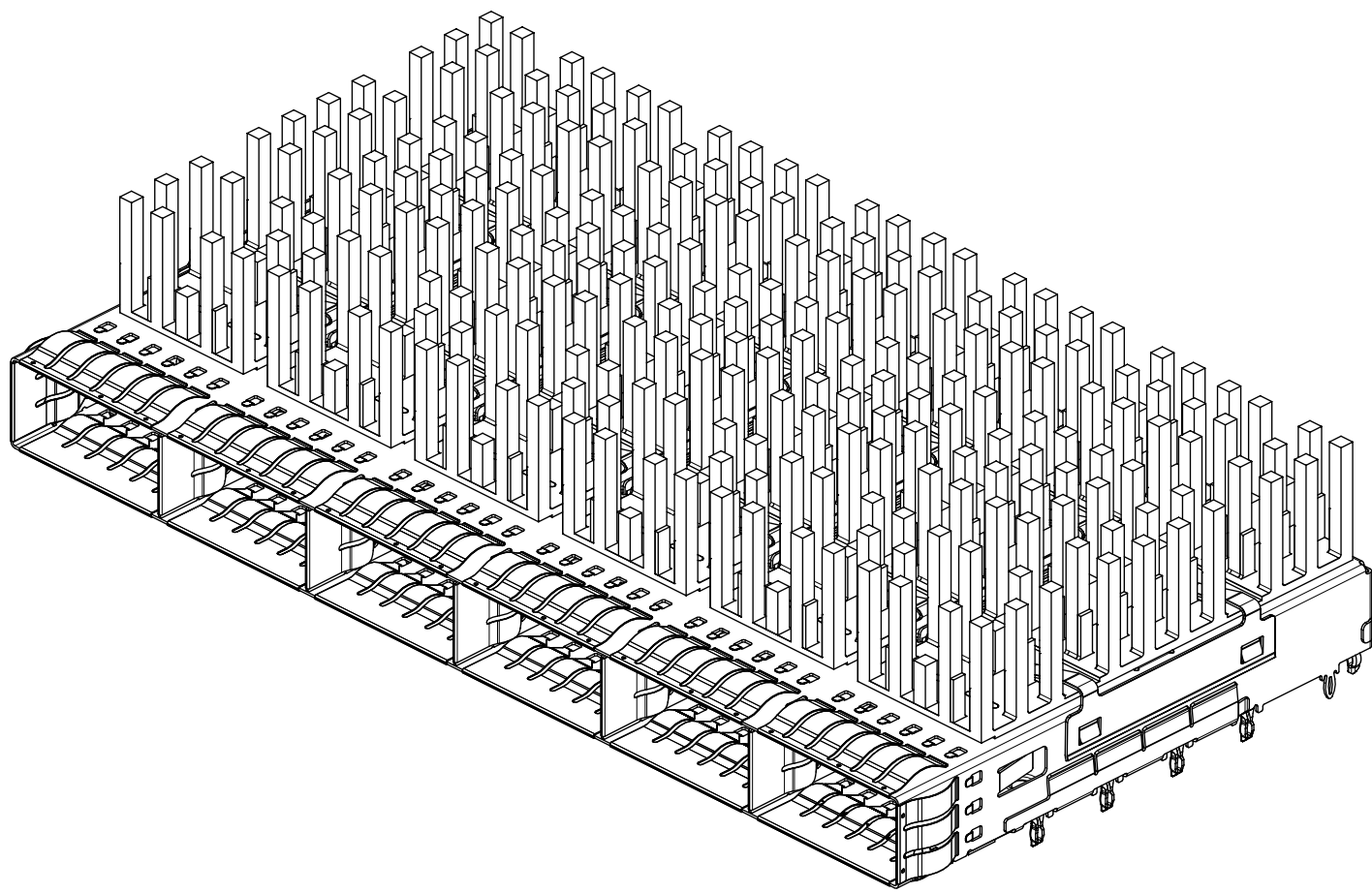
# PART NUMBER SELECTION

NO HEATSINKS  
NO LIGHT PIPES  
OPEN TOP



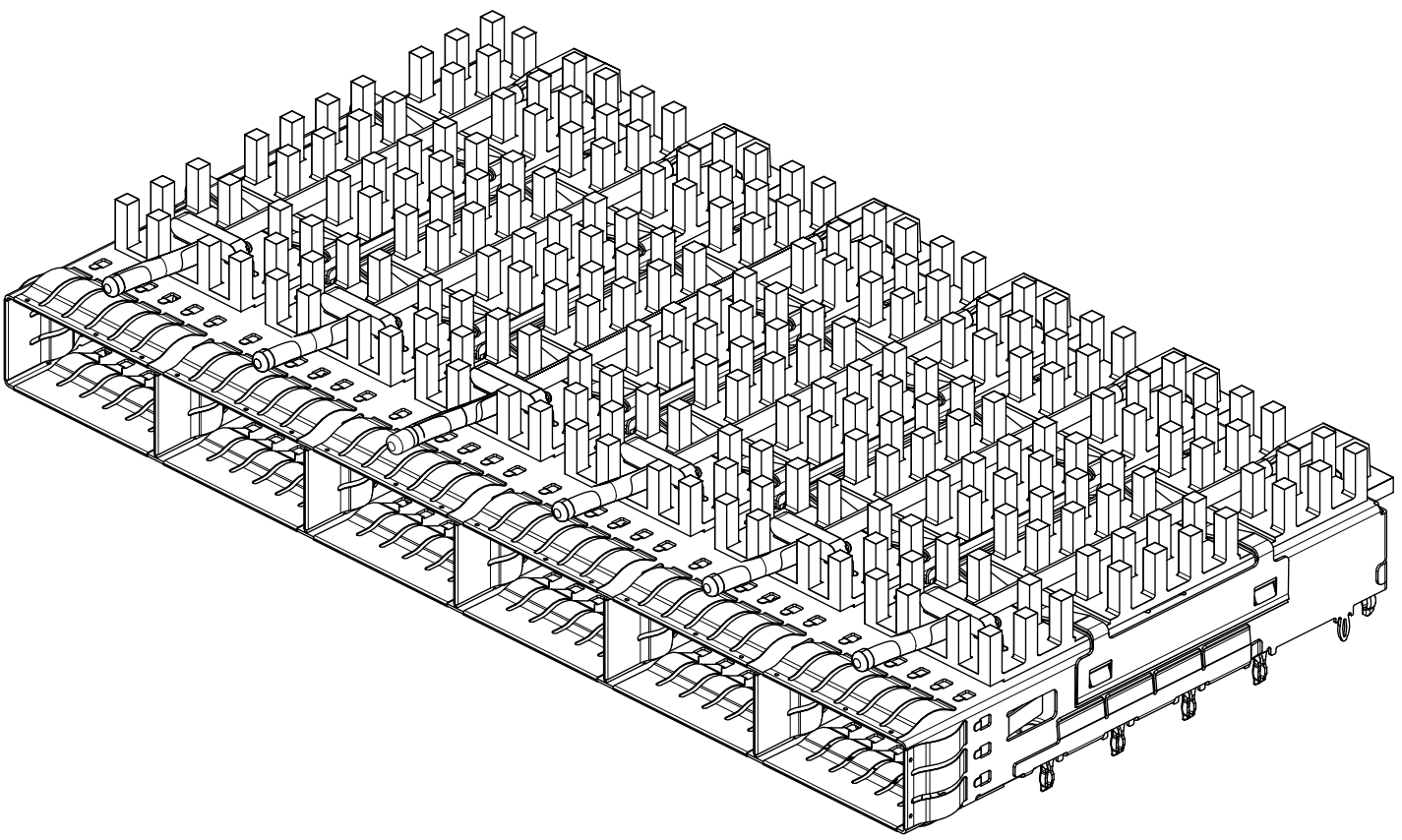
MOLEX P/N W/ SPRING FINGERS	# OF REAR LEGS PER PORT	LIGHT PIPE FEATURE
1000863255	1	NO

WITH HEATSINKS  
NO LIGHT PIPES



MOLEX P/N	HEATSINKS	# OF REAR LEGS PER PORT
1000863345	NET	1

WITH HEATSINKS  
SINGLE LIGHT PIPES



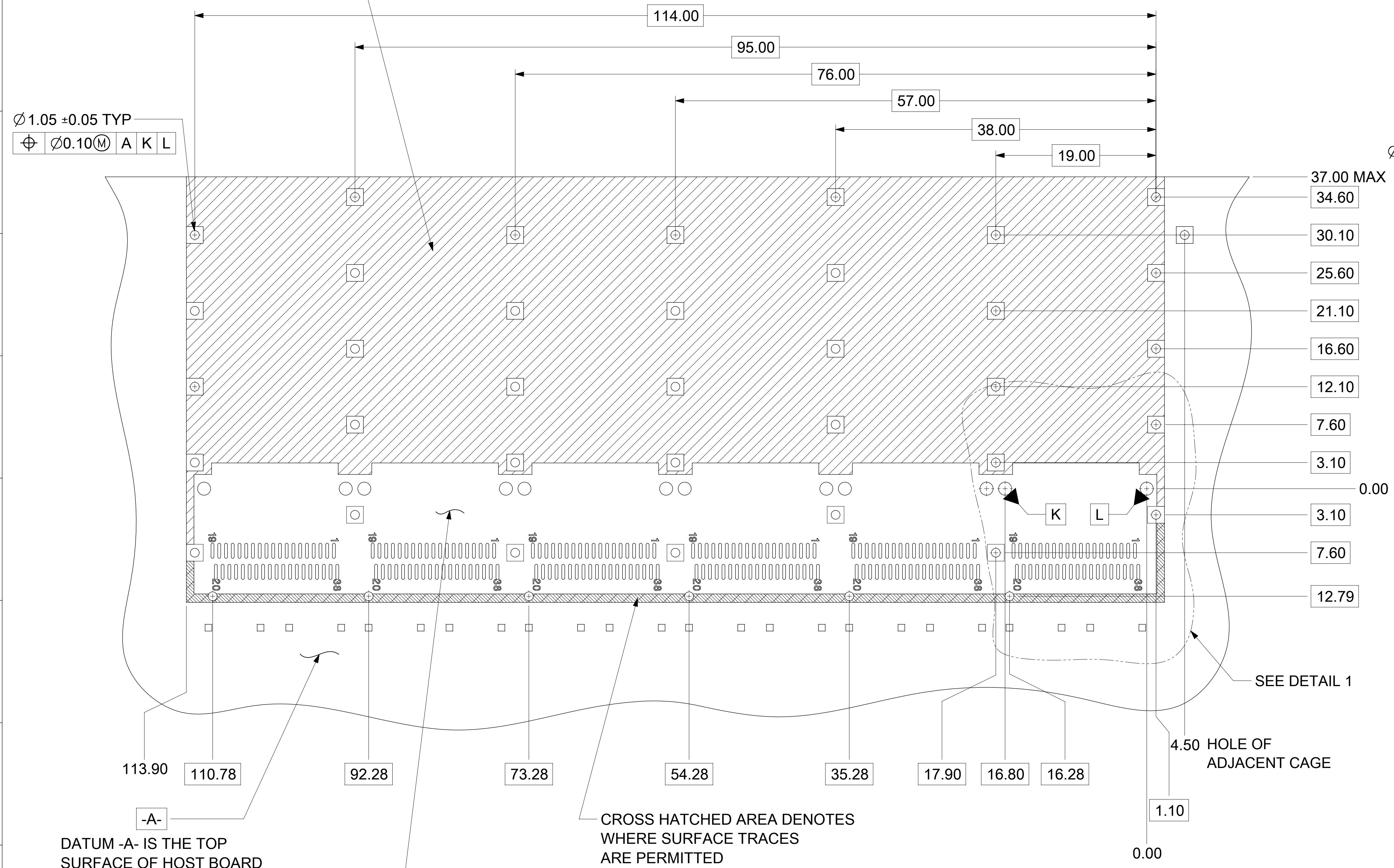
MOLEX P/N	LIGHTPIPES	HEATSINKS	#OF REAR LEGS PER PORT
1000869541	SINGLE	SAN	1

SYMBOLS	THIS DRAWING CONTAINS INFORMATION THAT IS PROPRIETARY TO MOLEX ELECTRONIC TECHNOLOGIES, LLC AND SHOULD NOT BE USED WITHOUT WRITTEN PERMISSION		
	DIMENSION UNITS	SCALE	CURRENT REV DESC: SEE REVISION TABLE
▽ = 0	mm	1.5:1	<b>molex</b>  1X6 ZQSFP+ GANGED CAGE,W/ SUS TAB TYPE SPRING FINGER, H/S & L/P OPTIONS  PRODUCT CUSTOMER DRAWING
▽ = 0	GENERAL TOLERANCES (UNLESS SPECIFIED)		
▽ = 0	ANGULAR TOL ± 2.0°		
▽ = 0	4 PLACES ±		
▽ = 0	3 PLACES ±		EC NO: 698881
▽ = 0	2 PLACES ± 0.13		DRWN: SHIVAA4 2022/02/17
▽ = 0	1 PLACE ± 0.25		CHK'D: TKUMARKC 2022/03/10
▽ = 0	0 PLACES ±		APPR: JCHIANG 2022/03/17
☒ = 0	DRAFT WHERE APPLICABLE MUST REMAIN WITHIN DIMENSIONS		INITIAL REVISION:
■ = 0	THIRD ANGLE PROJECTION		DRWN: SHIVAA4 2022/02/17
▽ = 0	DRAWING		APPR: JCHIANG 2022/03/17
SERIES		MATERIAL NUMBER	CUSTOMER
D-SIZE		100086	SEE P/N TABLE
GENERAL MARKET		3 OF 7	

# PCB LAYOUT FOR SINGLE SIDED MOUNTING

HATCHED AREA DENOTES COMPONENT AND TRACE KEEP-OUT (EXCEPT CHASSIS GROUND)

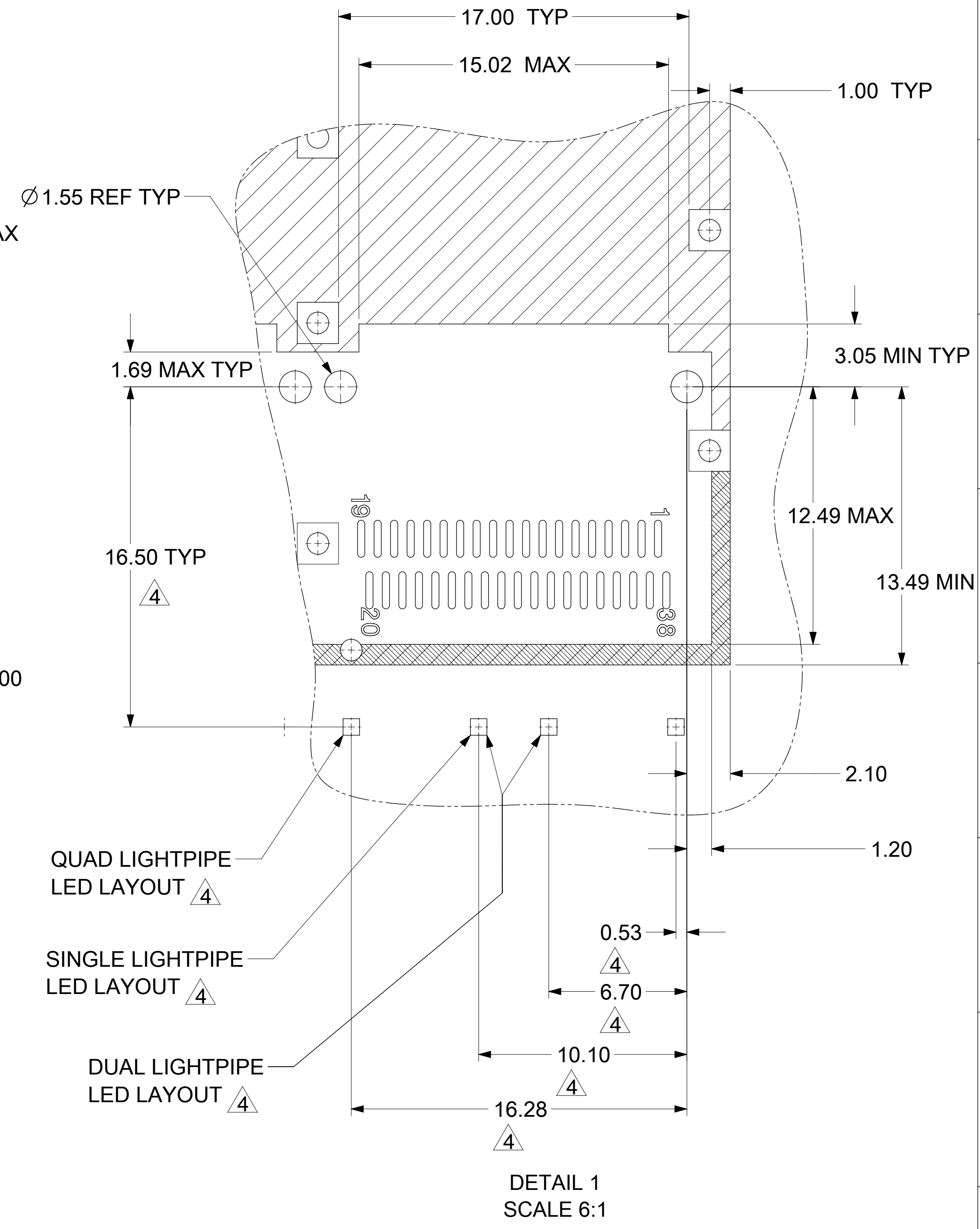
Ø 1.05 ±0.05 TYP  
 ⊕ Ø0.10 (M) A K L



DATUM -A- IS THE TOP SURFACE OF HOST BOARD

CROSS HATCHED AREA DENOTES WHERE SURFACE TRACES ARE PERMITTED

- NOTES:
1. PADS AND VIAS GO TO CHASSIS GROUND. (RECOMMENDED PADS TO BE 2.00mm SQUARE.)
  2. RECOMMENDED THRU HOLE PLATING INCLUDES HASL, OSP, OR IMMERSION (GOLD, SILVER, OR TIN).
  3. CONNECTOR PAD LAYOUT PER SFF-8663 WILL ACCOMODATE MOLEX CONNECTOR SERIES 170432.
  4. NOTED DIMENSIONS ONLY APPLY TO CAGE ASSEMBLIES WITH LIGHT PIPES.

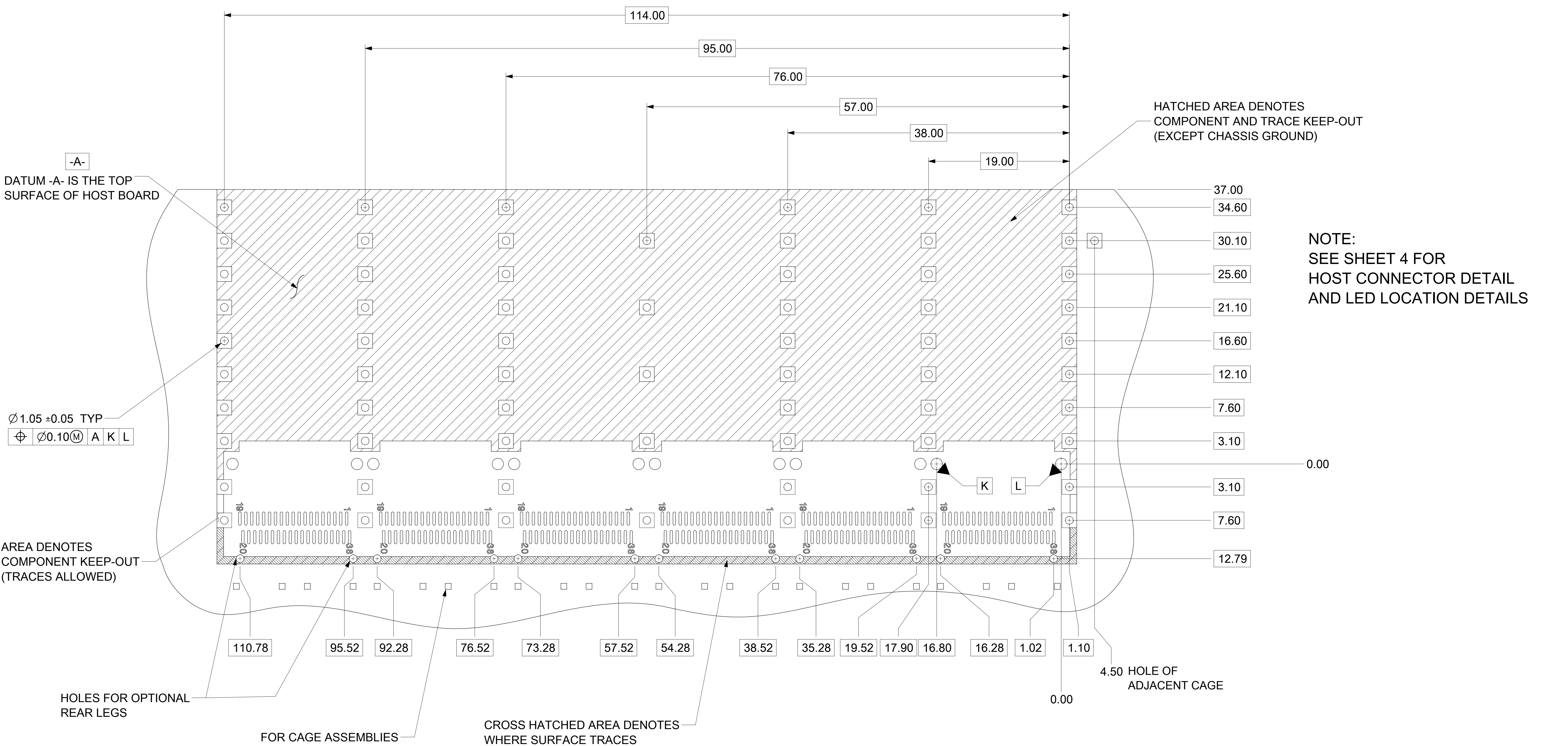


DETAIL 1 SCALE 6:1

SYMBOLS										THIS DRAWING CONTAINS INFORMATION THAT IS PROPRIETARY TO MOLEX ELECTRONIC TECHNOLOGIES, LLC AND SHOULD NOT BE USED WITHOUT WRITTEN PERMISSION									
= 0					mm					SCALE 3.5:1					CURRENT REV DESC: SEE REVISION TABLE				
= 0					GENERAL TOLERANCES (UNLESS SPECIFIED)					EC NO: 698881					1X6 ZQSFP+ GANGED CAGE, W/ SUS TAB TYPE SPRING FINGER, H/S & L/P OPTIONS				
= 0					ANGULAR TOL ± 2.0°					DRWN: SHIVAA4 2022/02/17					PRODUCT CUSTOMER DRAWING				
= 0					4 PLACES ±					CHK'D: TKUMARKC 2022/03/10					DOCUMENT NUMBER				
= 0					3 PLACES ±					APPR: JCHIANG 2022/03/17					DOC TYPE DOC PART REVISION				
= 0					2 PLACES ± 0.13					INITIAL REVISION:					1000863200				
= 0					1 PLACE ± 0.25					DRWN: SHIVAA4 2022/02/17					PSD ASY A				
= 0					0 PLACES ±					APPR: JCHIANG 2022/03/17					SEE P/N TABLE				
= 0					DRAFT WHERE APPLICABLE MUST REMAIN WITHIN DIMENSIONS					THIRD ANGLE PROJECTION					MATERIAL NUMBER CUSTOMER SHEET NUMBER				
= 0										DRAWING D-SIZE					SERIES 100086				
= 0															GENERAL MARKET				
= 0															4 OF 7				

DOCUMENT STATUS	P1	RELEASE DATE	2022/03/17	02:54:30
-----------------	----	--------------	------------	----------

# PCB LAYOUT FOR BELLY TO BELLY MOUNTING



-A-  
DATUM -A- IS THE TOP SURFACE OF HOST BOARD

Ø1.05 ±0.05 TYP  
⊕ Ø0.10Ⓜ A K L

AREA DENOTES COMPONENT KEEP-OUT (TRACES ALLOWED)

HOLES FOR OPTIONAL REAR LEGS

FOR CAGE ASSEMBLIES WITH LIGHT PIPES

CROSS HATCHED AREA DENOTES WHERE SURFACE TRACES ARE PERMITTED

HATCHED AREA DENOTES COMPONENT AND TRACE KEEP-OUT (EXCEPT CHASSIS GROUND)

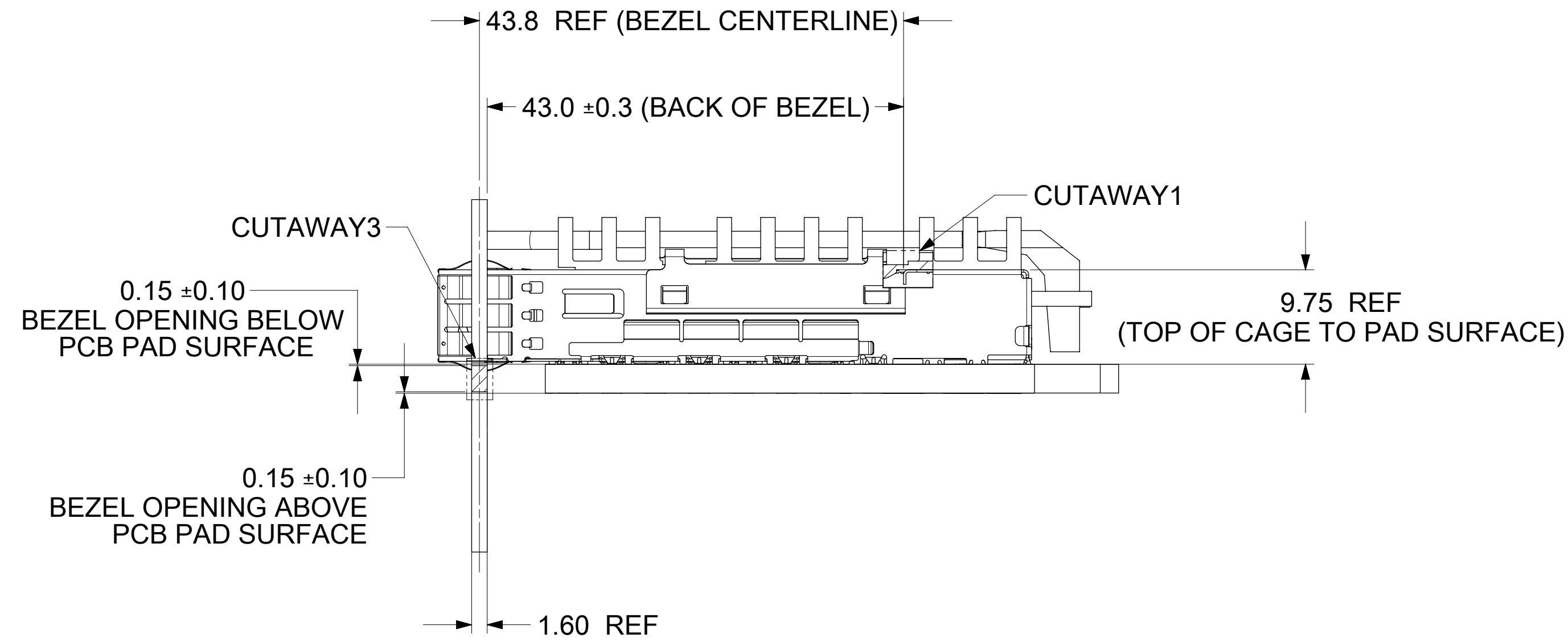
NOTE:  
SEE SHEET 4 FOR HOST CONNECTOR DETAIL AND LED LOCATION DETAILS

- NOTES:
1. PADS AND VIAS GO TO CHASSIS GROUND. (RECOMMENDED PADS TO BE 2.00mm SQUARE.)
  2. RECOMMENDED THRU HOLE PLATING INCLUDES HASL, OSP, OR IMMERSION (GOLD, SILVER, OR TIN).
  3. CONNECTOR PAD LAYOUT PER SFF-8663 WILL ACCOMODATE MOLEX CONNECTOR SERRIES 170432.

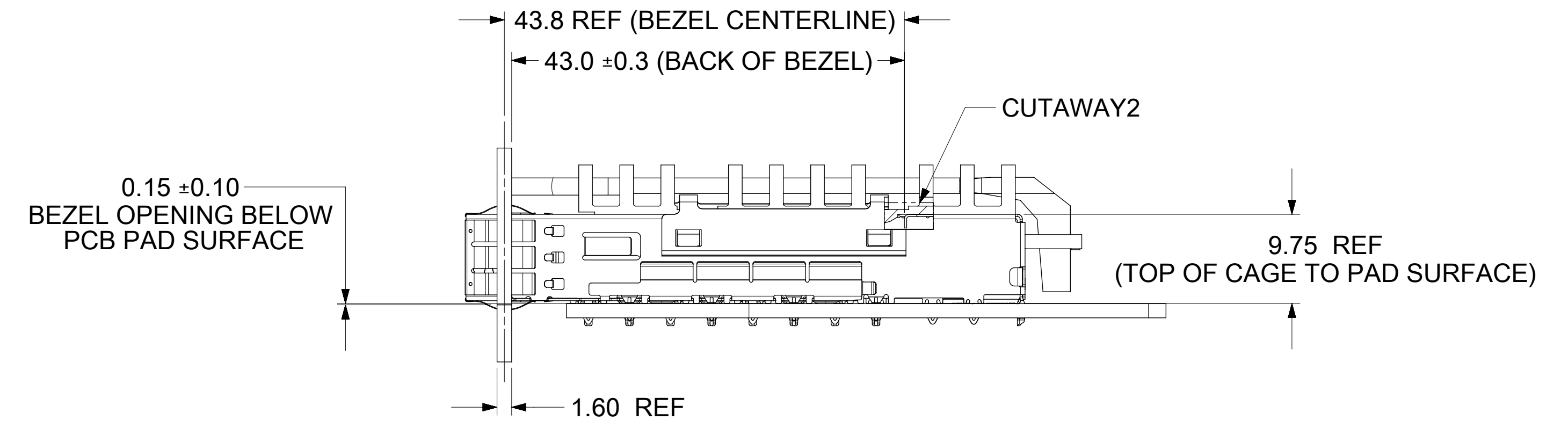
SYMBOLS	THIS DRAWING CONTAINS INFORMATION THAT IS PROPRIETARY TO MOLEX ELECTRONIC TECHNOLOGIES, LLC AND SHOULD NOT BE USED WITHOUT WRITTEN PERMISSION			
	DIMENSION UNITS	SCALE	CURRENT REV DESC: SEE REVISION TABLE	
▽ = 0	mm	4:1	EC NO: 698881 DRWN: SHIVAA4 2022/02/17 CHK'D: TKUMARKC 2022/03/10 APPR: JCHIANG 2022/03/17 INITIAL REVISION: DRWN: SHIVAA4 2022/02/17 APPR: JCHIANG 2022/03/17	
▽ = 0	GENERAL TOLERANCES (UNLESS SPECIFIED)			
▽ = 0	ANGULAR TOL ± 2.0°			
▽ = 0	4 PLACES ±			
▽ = 0	3 PLACES ±			
▽ = 0	2 PLACES ± 0.13		DOCUMENT NUMBER <b>1000863200</b>	
▽ = 0	1 PLACE ± 0.25			DOC TYPE PSD
▽ = 0	0 PLACES ±			DOC PART ASY
⊗ = 0	DRAFT WHERE APPLICABLE MUST REMAIN WITHIN DIMENSIONS		REVISION <b>A</b>	
⊗ = 0	THIRD ANGLE PROJECTION	DRAWING	SHEET NUMBER 5 OF 7	
⊗ = 0		D-SIZE	MATERIAL NUMBER SEE P/N TABLE	
⊗ = 0		SERIES 100086	CUSTOMER GENERAL MARKET	

DOCUMENT STATUS	P1	RELEASE DATE	2022/03/17 02:54:30
-----------------	----	--------------	---------------------

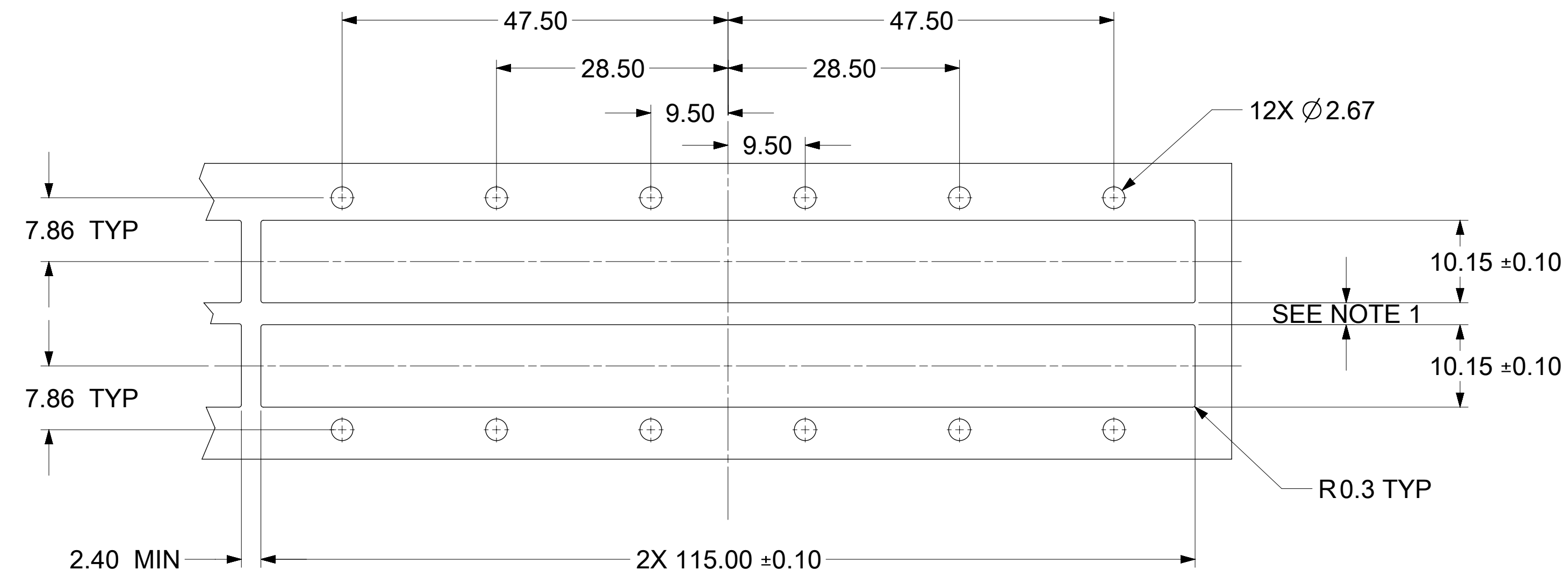
### BEZEL AND BOARD POSITION DIMENSIONS FOR BELLY TO BELLY MOUNTING



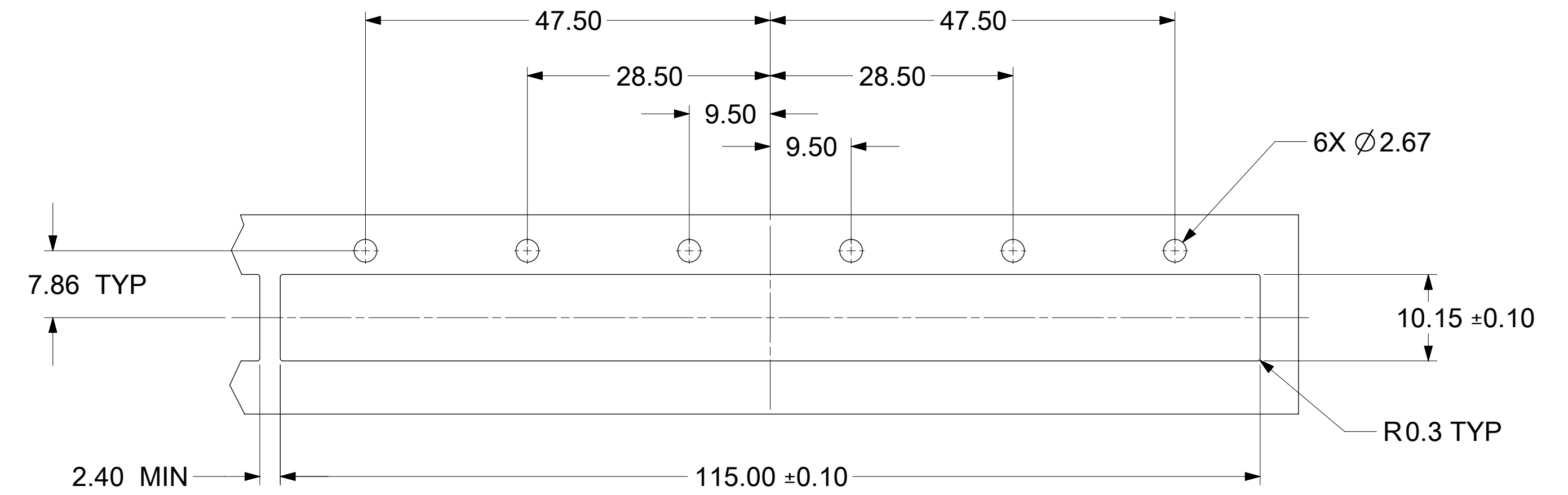
### BEZEL AND BOARD POSITION DIMENSIONS FOR SINGLE SIDE MOUNTING



### SINGLE LIGHT PIPE



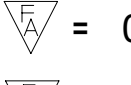
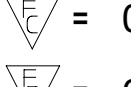
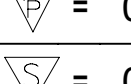

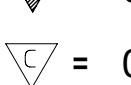
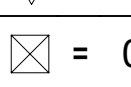

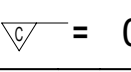

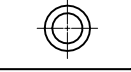
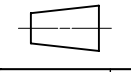
### SINGLE LIGHT PIPE



NOTE:  
 1. PCB THICKNESS VARIATION MUST BE CONSIDERED WHEN DETERMINING BEZEL OPENING LOCATION.  
 2. NOTED DIMENSIONS ONLY APPLY TO CAGE ASSEMBLIES WITH LIGHT PIPES.  
 3. THIS DIMENSION IS FOR REFERENCE ONLY. USER CAN MODIFY IT DEPENDS ON APPLICATION. (THIS DIMENSION VARIES BASED ON DISTANCE OF " HOLE OF ADJACENT CAGE" ON PCB LAYOUT.)

SYMBOLS	THIS DRAWING CONTAINS INFORMATION THAT IS PROPRIETARY TO MOLEX ELECTRONIC TECHNOLOGIES, LLC AND SHOULD NOT BE USED WITHOUT WRITTEN PERMISSION		CURRENT REV DESC: SEE REVISION TABLE		
	DIMENSION UNITS	SCALE			
▽ = 0	mm	2.5:1			1X6 ZQSFP+ GANGED CAGE, W/ SUS TAB TYPE SPRING FINGER, H/S & L/P OPTIONS PRODUCT CUSTOMER DRAWING
▽ = 0	GENERAL TOLERANCES (UNLESS SPECIFIED)				
▽ = 0	ANGULAR TOL ± 2.0°		EC NO: 698881		DOCUMENT NUMBER: 1000863200 DOC TYPE: PSD DOC PART: ASY REVISION: A
▽ = 0	4 PLACES ±		DRWN: SHIVAA4 2022/02/17		
▽ = 0	3 PLACES ±		CHK'D: TKUMARKC 2022/03/10		
▽ = 0	2 PLACES ± 0.13		APPR: JCHIANG 2022/03/17		
▽ = 0	1 PLACE ± 0.25		INITIAL REVISION:		
▽ = 0	0 PLACES ±		DRWN: SHIVAA4 2022/02/17		
■ = 0	DRAFT WHERE APPLICABLE MUST REMAIN WITHIN DIMENSIONS		APPR: JCHIANG 2022/03/17		
▽ = 0	THIRD ANGLE PROJECTION		DRAWING: D-SIZE		MATERIAL NUMBER: 100086 CUSTOMER: GENERAL MARKET SHEET NUMBER: 6 OF 7
▽ = 0			SERIES: 100086		

REV	DATE	DESCRIPTION
A	2022/02/17	INITIAL RELEASE

SYMBOLS	THIS DRAWING CONTAINS INFORMATION THAT IS PROPRIETARY TO MOLEX ELECTRONIC TECHNOLOGIES, LLC AND SHOULD NOT BE USED WITHOUT WRITTEN PERMISSION															
	 = 0	DIMENSION UNITS	SCALE	CURRENT REV DESC: SEE REVISION TABLE												
	 = 0	mm	1:1	<p><b>molex</b></p> <p>1X6 ZQSFP+ GANGED CAGE, W/ SUS TAB TYPE SPRING FINGER, H/S &amp; L/P OPTIONS</p> <p>PRODUCT CUSTOMER DRAWING</p> <p>DOCUMENT NUMBER: 1000863200    DOC TYPE: PSD    DOC PART: ASY    REVISION: A</p> <p>MATERIAL NUMBER: SEE P/N TABLE    CUSTOMER: GENERAL MARKET    SHEET NUMBER: 7 OF 7</p>												
	 = 0	GENERAL TOLERANCES (UNLESS SPECIFIED)														
	 = 0	ANGULAR TOL ± 2.0°														
	 = 0	4 PLACES	±													
	 = 0	3 PLACES	±													
	 = 0	2 PLACES	± 0.13													
	 = 0	1 PLACE	± 0.25													
	 = 0	0 PLACES	±													
= 0	DRAFT WHERE APPLICABLE MUST REMAIN WITHIN DIMENSIONS		THIRD ANGLE PROJECTION								DRAWING	SERIES	<p>EC NO: 698881</p> <p>DRWN: SHIVAA4    2022/02/17</p> <p>CHK'D: TKUMARKC    2022/03/10</p> <p>APPR: JCHIANG    2022/03/17</p> <p>INITIAL REVISION:</p> <p>DRWN: SHIVAA4    2022/02/17</p> <p>APPR: JCHIANG    2022/03/17</p>			
= 0	DRAFT WHERE APPLICABLE MUST REMAIN WITHIN DIMENSIONS											D-SIZE	SERIES 100086			