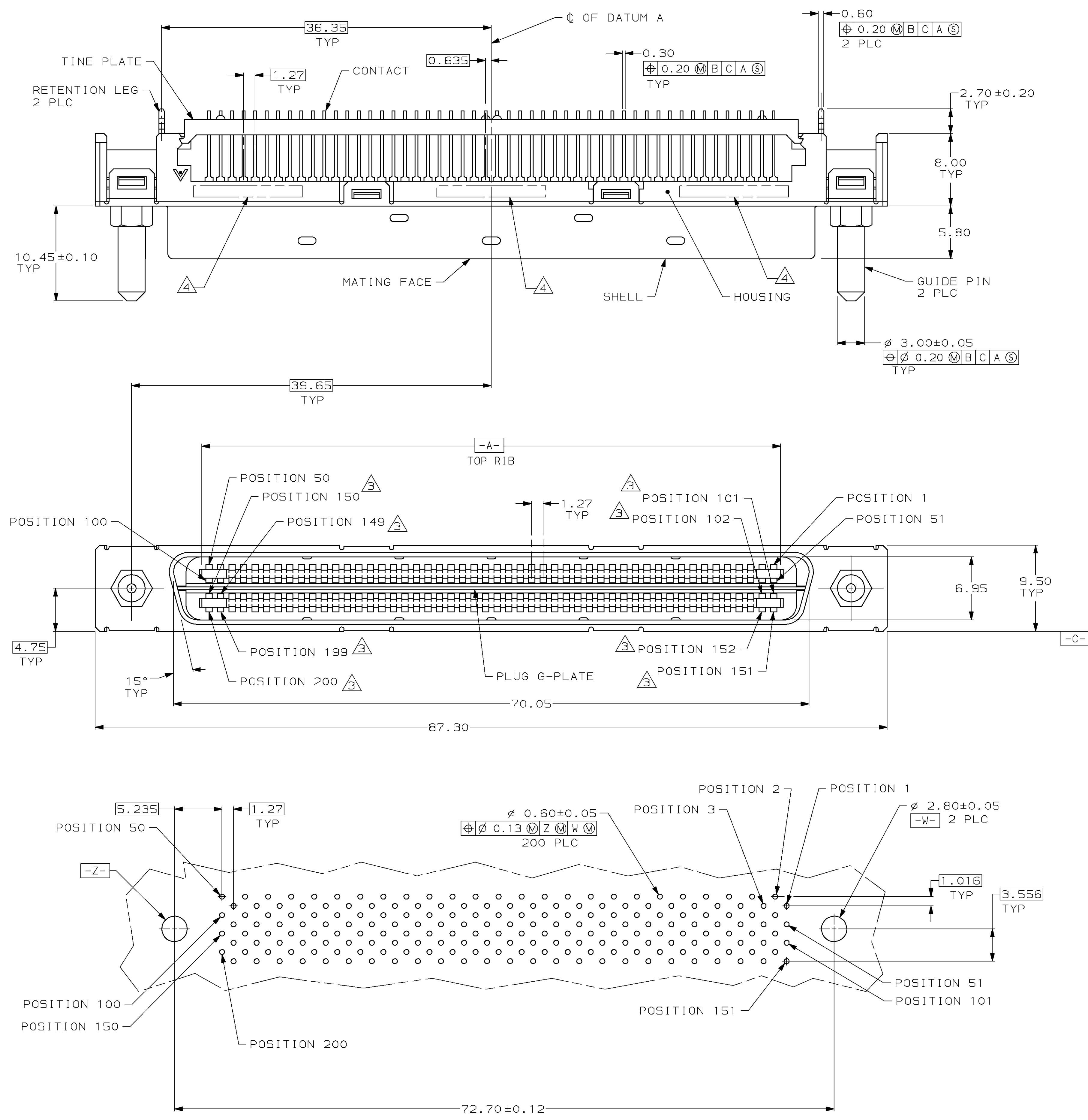
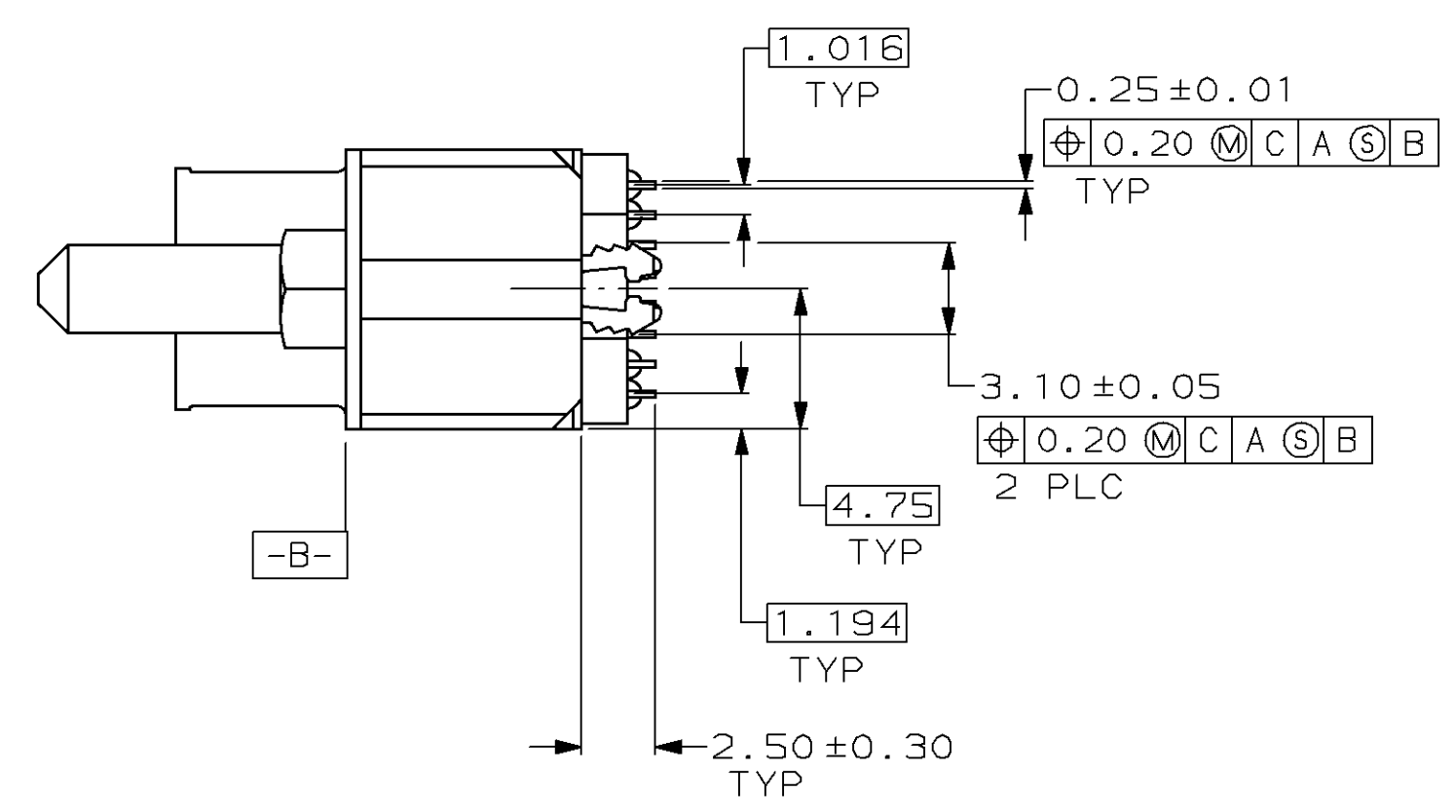


LOC		DIST		REVISONS			
AR	84	P	LTR	DESCRIPTION	DATE	OWN	APVD
		0		RELEASED PER NPR 5579 WAS 96-1999-10-2	-	-	-
		A		REV PER EC 0410-361-97	10 SEP 97	CD	JM



- △ HOUSING AND TINE PLATE: POLYESTER, NATURAL.
CONTACT: COPPER ALLOY.
SHELL: CARBON STEEL.
RETENTION LEG AND GUIDE PIN: BRASS.
PLUG G-PLATE: STAINLESS STEEL.
- △ SHELL: 3.00µm MIN NICKEL OVER 1.30µm MIN COPPER.
RETENTION LEG: 2.00µm MIN TIN-LEAD OVER 1.00µm MIN NICKEL.
GUIDE PIN: NICKEL OVER COPPER.
CONTACTS: 0.76µm MIN GOLD FOR A LENGTH OF 3.00 MIN FROM MATING END,
2.54 µm MIN TIN-LEAD FOR A LENGTH OF 2.80 MIN FROM OPPOSITE END,
BOTH OVER 1.27µm MIN NICKEL.
- △ CONTACTS 101,102,149,150,151,152,199, AND 200, ARE SEQUENCED TOWARDS MATING FACE.
- △ DATE CODE MAY BE MARKED ON THIS SIDE, IN ONE OF THE LOCATIONS SHOWN.



RECOMMENDED PC BOARD MOUNTING DIMENSIONS
COMPONENT SIDE

787887-1
PART NUMBER

THIS DRAWING IS A CONTROLLED DOCUMENT.		OWN C. DORWART	03 JUN 97	AMP AMP Incorporated Harrisburg, PA 17105-3508
DIMENSIONS: mm		CHK J. MOSIER	11 JUN 97	
TOLERANCES UNLESS OTHERWISE SPECIFIED:		APP'D J. MOSIER	11 JUN 97	NAME PLUG ASSEMBLY, 200 POSITION, VERTICAL, .050, CHAMP™
0 PLC ± 1 PLC ± 2 PLC ±0.25 3 PLC ± 4 PLC ±		PRODUCT SPEC	APPLICATION SPEC	
MATERIAL		WEIGHT	SIZE A1	CAGE CODE 00779
FINISH		CUSTOMER DRAWING	DRAWING NO 787887	RESTRICTED TO
SCALE 4:1		SHEET 1 OF 1		REV A