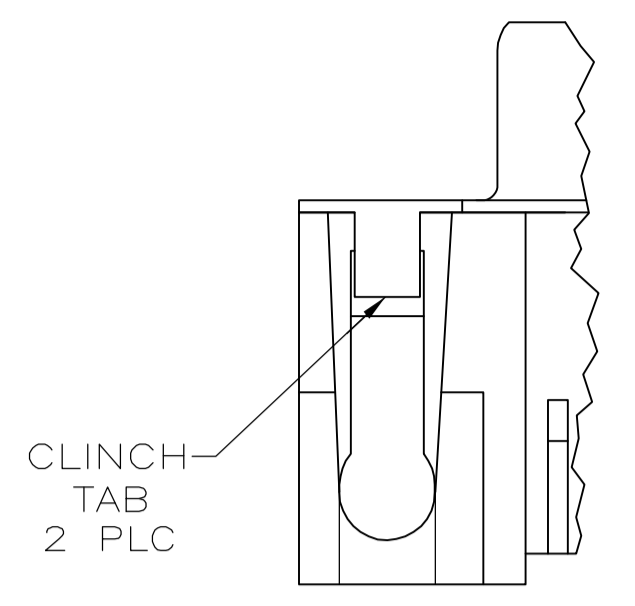
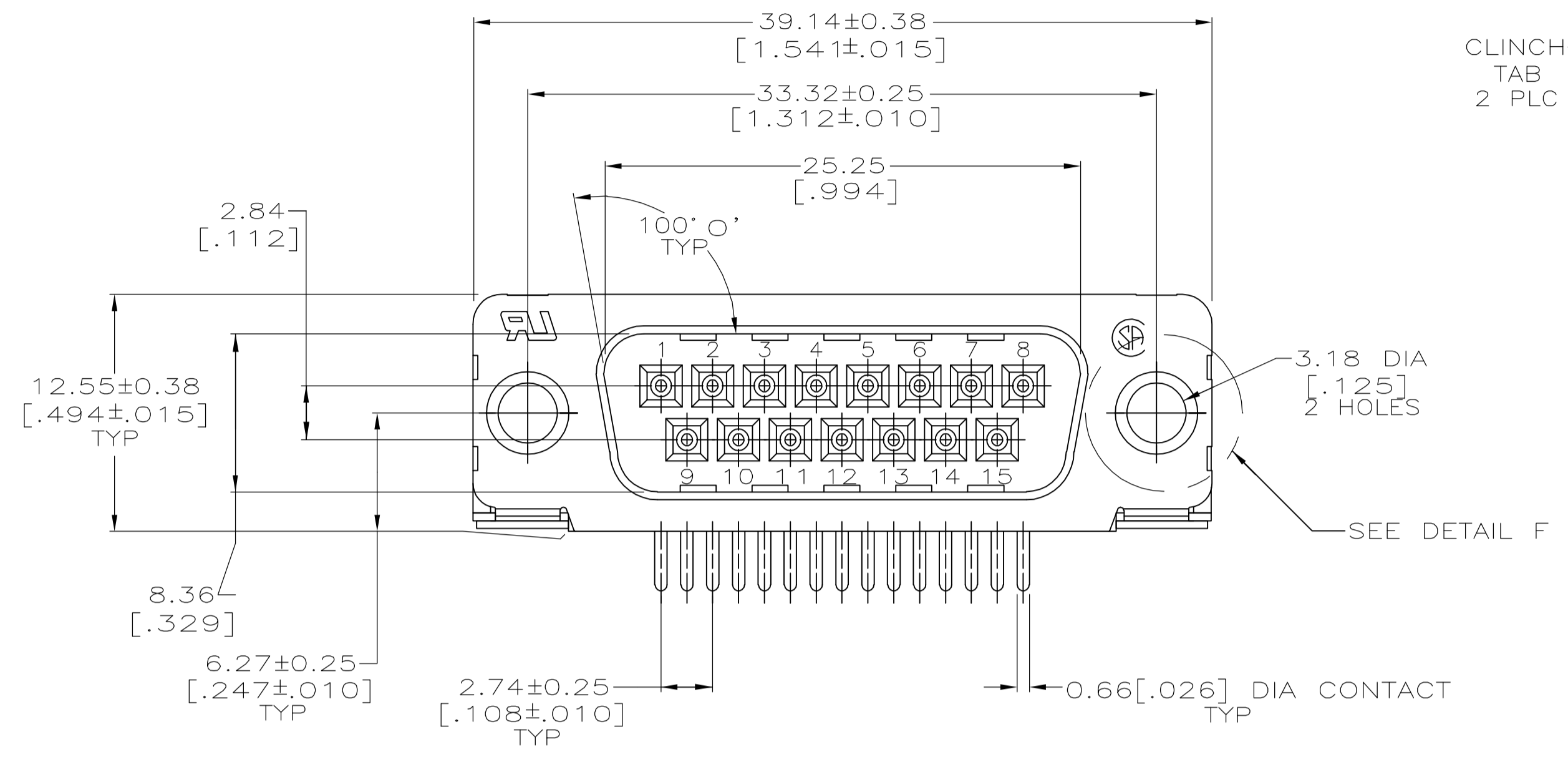
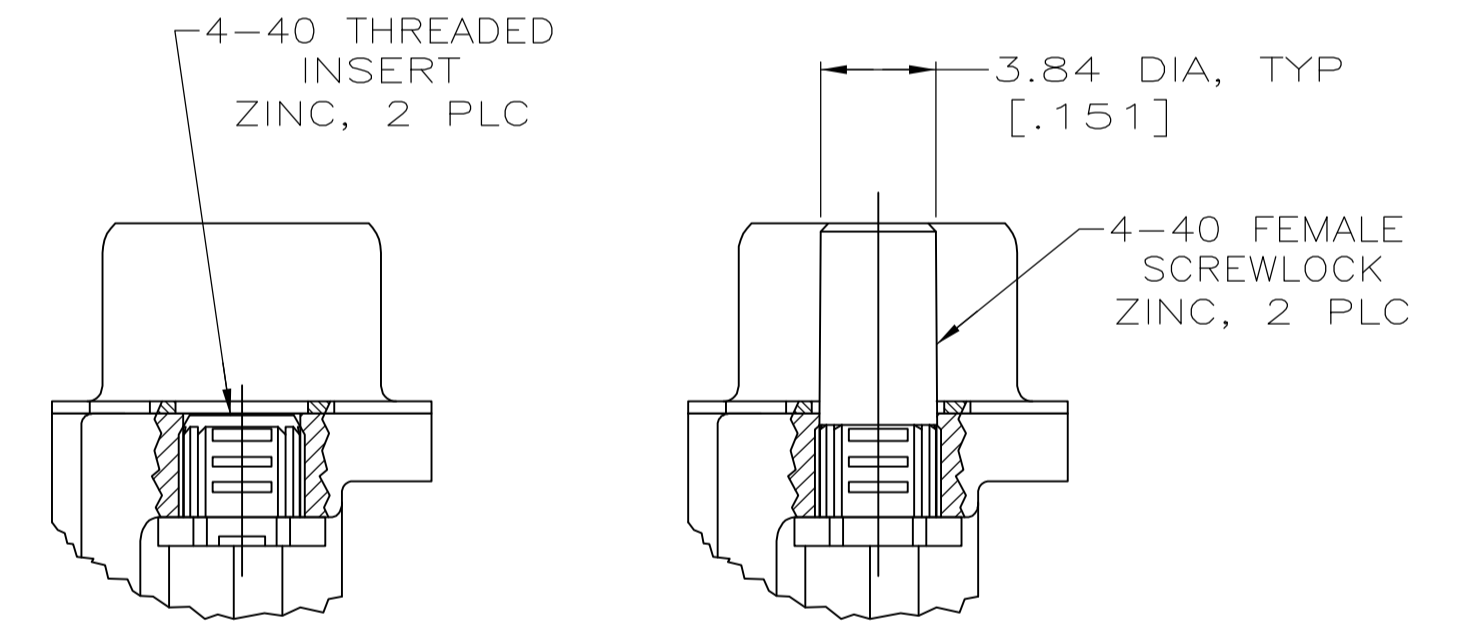
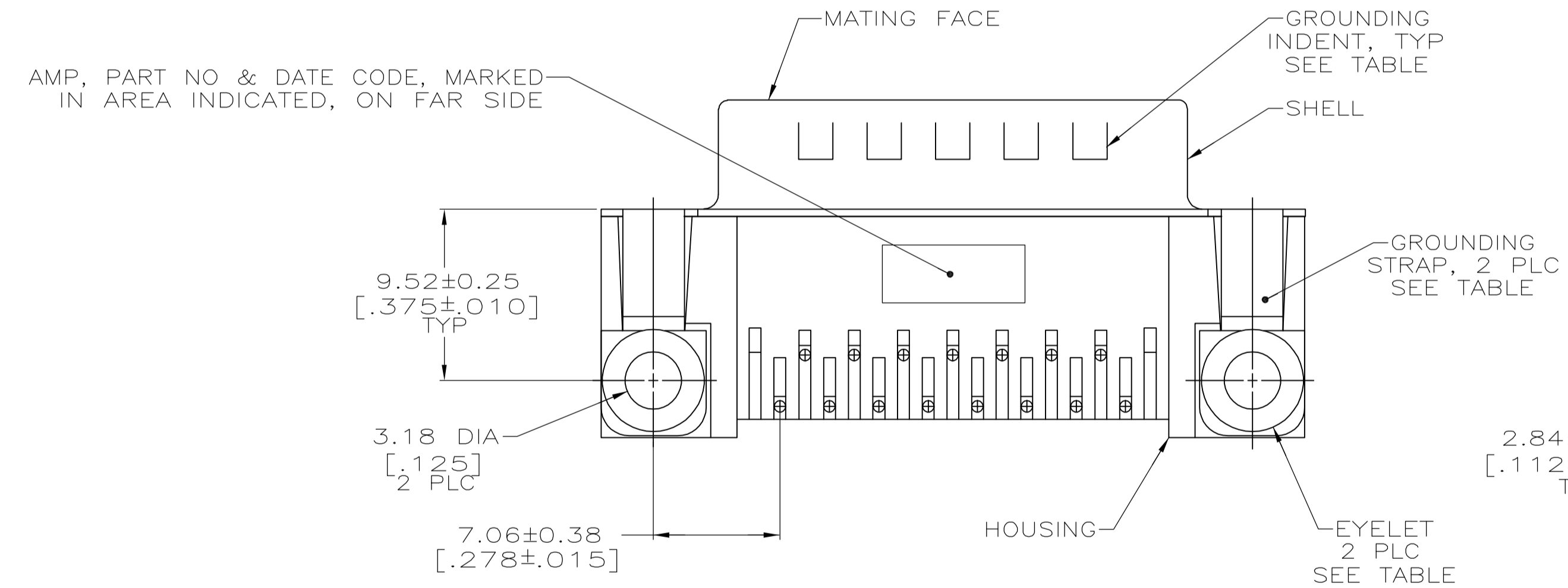


LOC		DIST		REVISIONS			
GP	00	P	LTR	DESCRIPTION	DATE	OWN	APVD
R				REVISED PER ECO-06-010443	28AUG06	JRP	SB



DETAIL B

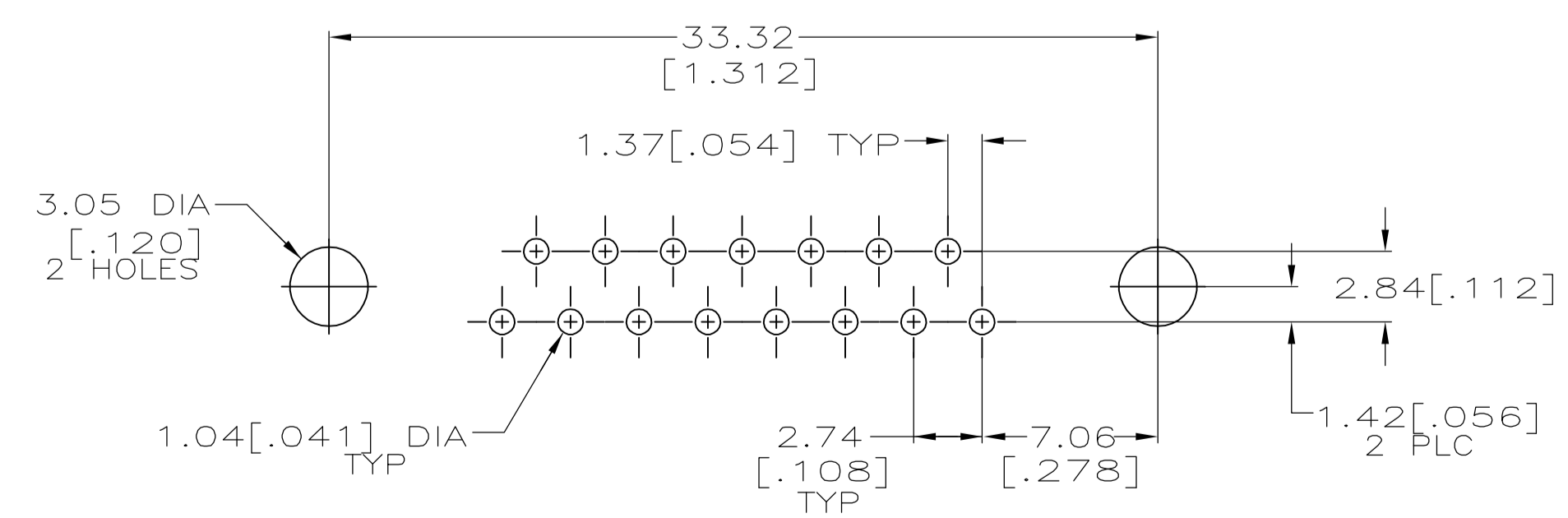
- 1 NYLON OR POLYESTER, FLAME RETARDANT, UL 94V-0 RATED, GLASS FILLED, BLACK.
- 2 BRASS PER MIL-C-50.
- 3 CARBON STEEL PER ASTM A109.
- 4 GOLD PLATING PER MIL-G-45204; NICKEL PLATING PER QQ-N-290; TIN PLATING PER MIL-T-10727; COPPER PLATING PER MIL-C-14550.
- 5 2.54µm [.000100] MIN TIN OVER 1.27µm [.000050] MIN COPPER.
- 6 5.08µm [.000200] MIN TIN OVER COPPER FLASH.
- 7 GOLD PLATED FOR A LENGTH OF 3.81[.150] MIN FROM MATING END, GOLD FLASH IN MATED AREA, 2.54µm [.000100] MIN TIN OR TIN-LEAD FOR A LENGTH OF 3.56[.140] MIN FROM OPPOSITE END, BOTH OVER 1.27µm [.000050] MIN NICKEL.
- 8 GOLD PLATED FOR A LENGTH OF 3.81[.150] MIN FROM MATING END, 0.76µm [.000030] MIN GOLD IN MATED AREA, 2.54µm [.000100] MIN TIN OR TIN-LEAD FOR A LENGTH OF 3.56[.140] MIN FROM OPPOSITE END, BOTH OVER 1.27µm [.000050] MIN NICKEL.
- 9 OBSOLETE PART NUMBER.
- 10 SUPERSEDED BY 747236-2.
- 11 SUPERSEDED BY 747236-6.



DETAIL D

DETAIL E

FOR -5,-6,-11 AND -12 ONLY



DETAIL F
2 PLC

P.C. BOARD MOUNTING DIMENSIONS

NO	YES	YES	-	8	10	1-747236-3
			SEE DETAIL E	8	9	1-747236-2
	NO SEE DETAIL B	NO	SEE DETAIL D	7	9	1-747236-1
			-	8	9	1-747236-0
			-	7	9	747236-9
			-	8	9	747236-8
			-	7	9	747236-7
			SEE DETAIL E	8	11	747236-6
	YES	YES	SEE DETAIL D	8	9	747236-5
			-	7	9	747236-4
			-	8	9	747236-3
			-	7	10	747236-2
			-	7	10	747236-1
GROUNDING INDENTS	GROUNDING STRAPS	EYELETS	MOUNTING HARDWARE	CONTACT FINISH		PART NUMBER

THIS DRAWING IS A CONTROLLED DOCUMENT. DWG: W.G. LENKER 05 OCT 89
 CHK: R. STONE 05 FEB 90
 APVD: W.D. GALLOWAY 05 FEB 90
 NAME: PLUG ASSEMBLY, SIZE 2, 15 POSITION, RIGHT ANGLE, FRONT METAL SHELL, .378 SERIES, AMP LIMIT, PD-20
 PRODUCT SPEC: 108-40025
 APPLICATION SPEC: 114-40010
 SIZE: 114-40010
 ORIGINAL CODE: DRAWING NO: 00779
 CUSTOMER DRAWING: 747236
 SCALE: 4:1 SHEET: 1 OF 1 REV: R

tyco Tyco Electronics Corporation
 Harrisburg, PA 17105-3608

OBsolete
 NO LONGER LATEST REVISION