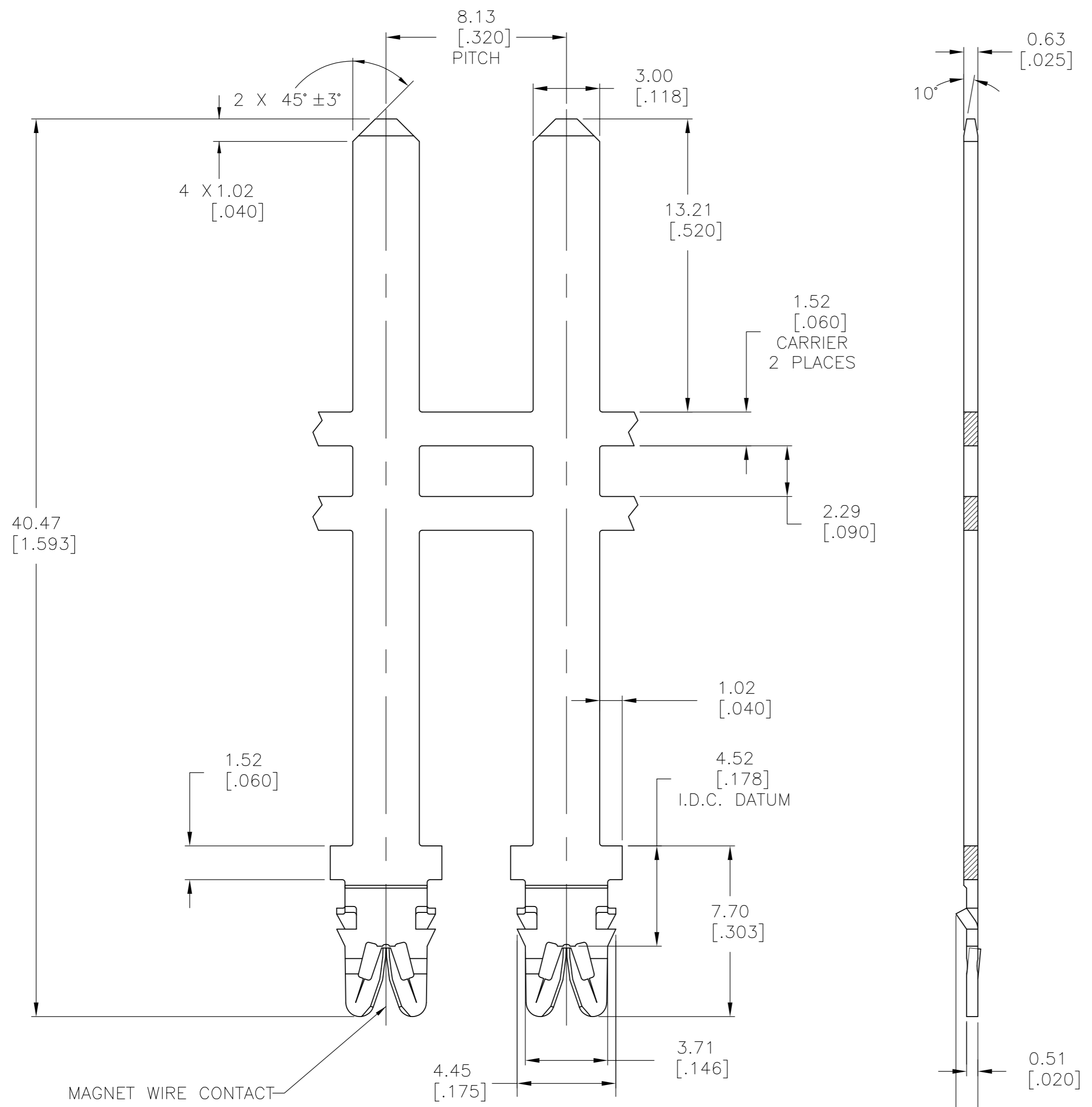
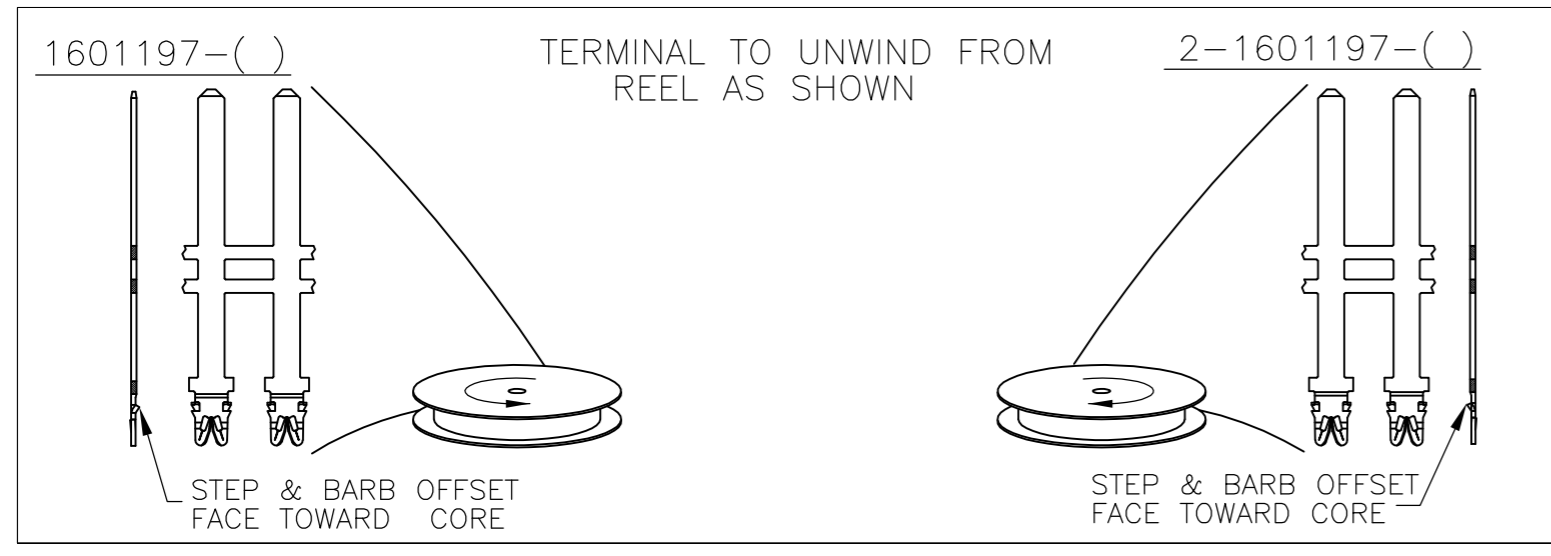
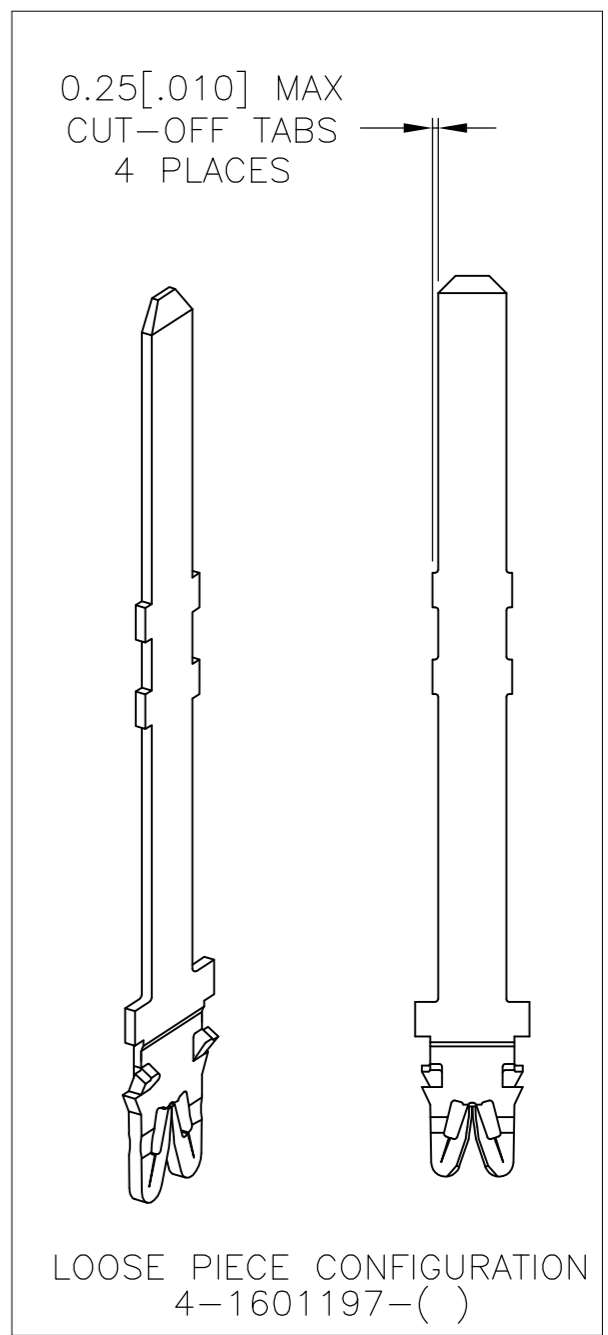


THIS DRAWING IS UNPUBLISHED. RELEASED FOR PUBLICATION  
 © COPYRIGHT BY TYCO ELECTRONICS CORPORATION. ALL RIGHTS RESERVED.

LOC		DIST		REVISIONS			
P	LTR	DESCRIPTION		DATE	DWN	APVD	
		C2		REVISED PER ECR-08-000810	22JAN08	HMR	GJ



- 1 SPECIFICATIONS: MAGNET WIRE 34#-18# AWG 0.16-0.40 [.006-.040]Inch DIA COPPER.
- 2 POCKET RECOMMENDATION: 1601474
- 3 PRELIMINARY - NOT FOR PRODUCTION.
- 4 TERMINAL APPLICATION TO COMPLY WITH TYCO ELECTRONICS SPECIFICATION 114-13166 FIGURE 7.



PRE TIN PLATE	4-1601197-2
PRE TIN PLATE	2-1601197-2
PRE TIN PLATE	3 1601197-2
FINISH	PART NUMBER

THIS DRAWING IS A CONTROLLED DOCUMENT.		DWN	02JUN2004	Tyco Electronics Corporation	
MICHAEL S. FEHER		CHK	02JUN2004	Harrisburg, PA 17105-3608	
GENE JACONO		APVD	02JUN2004	NAME	
GENE JACONO		PRODUCT SPEC		STANDARD RANGE WIRE TO .118 X .025 MULTI-BARB SIAMEZE TERMINAL	
108-2085		APPLICATION SPEC		SIZE	CAGE CODE
-		4		DRAWING NO	RESTRICTED TO
MATERIAL		FINISH		WEIGHT	SCALE
BRASS FULL HARD		SEE TABLE		-	6:1
CUSTOMER DRAWING				SHEET	REV
				1 OF 1	C2