

VS-IP20-IP20-93B/5,0 - Network cable



1404366

<https://www.phoenixcontact.com/us/products/1404366>

Please be informed that the data shown in this PDF document is generated from our online catalog. Please find the complete data in the user documentation. Our general terms of use for downloads are valid.



Assembled PROFINET cable, CAT5e, shielded, star-quad, 22 AWG stranded (7-wire), RAL 6018 (yellow green), RJ45 plug/IP20 to RJ45 plug/IP20, length: 5 m

Commercial data

Item number	1404366
Packing unit	1 pc
Minimum order quantity	1 pc
Sales key	AB11
Product key	ABNABA
GTIN	4046356692359
Weight per piece (including packing)	357.5 g
Weight per piece (excluding packing)	318.819 g
Customs tariff number	85444210
Country of origin	PL

VS-IP20-IP20-93B/5,0 - Network cable



1404366

<https://www.phoenixcontact.com/us/products/1404366>

Technical data

Product properties

Product type	Data cable preassembled
Sensor type	PROFINET
Number of positions	4
No. of cable outlets	1
Shielded	yes
Cable outlet	straight

Insulation characteristics

Degree of pollution	1
---------------------	---

Electrical properties

Transmission medium	Copper
Transmission characteristics (category)	CAT5 (IEC 11801:2002)
Transmission speed	100 Mbps
Wave impedance	100 Ω

Mechanical properties

Mechanical data

Insertion/withdrawal cycles	≥ 1000
Insertion force per signal contact	30.00 N
Extraction force per signal contact	50 N

Material specifications

Flammability rating according to UL 94	V0
Outer sheath, material	PVC
Conductor material	Tin-plated Cu litz wires

Connector

Connection 1

Type	Plug straight RJ45
Shielded	yes
Degree of protection	IP20
Number of positions	4

Connection 2

Type	Plug straight RJ45
Shielded	yes
Insertion/withdrawal cycles	≥ 750
Number of positions	4
Degree of protection	IP20

VS-IP20-IP20-93B/5,0 - Network cable




1404366

<https://www.phoenixcontact.com/us/products/1404366>

Cable/line

Cable length	5.00 m
--------------	--------

PROFINET PVC stranded CAT5 [93B]

Dimensional drawing	
Shielded	yes
UL AWM Style	21694
Cable weight	67 kg/km
Cable type	PROFINET PVC stranded CAT5
Short symbol	2YY(ST)CY
Cable type (abbreviation)	93B
Signal type/category	PROFINET CAT5 (IEC 11801), 100 Mbps EtherCAT [®] CAT5 (IEC 11801), 100 Mbps
Cable structure	1x4xAWG22/7, SF/TQ
External cable diameter	6.5 mm ±0.2 mm
Outer sheath, material	PVC
External sheath, color	green RAL 6018
Thickness, outer sheath	approx. 0.9 mm
Material, inner sheath	PVC
Conductor material	Tin-plated Cu litz wires
Conductor structure signal line	7x 0.25 mm
AWG signal line	22
Conductor cross section	4x 0.34 mm ²
Material wire insulation	PE
Wire diameter incl. insulation	1.55 mm
Single wire, color	white, yellow, blue, orange
Overall twist	Star quad
Shielding	Aluminum-coated foil, tinned copper braided shield
Optical shield covering	85 %
Nominal voltage, cable	600 V
Test voltage Core/Core	2000 V (50 Hz, 1 min.)
Test voltage Core/Shield	2000 V (50 Hz, 1 min.)
Cable insulation resistance	≥ 500 MΩ*km
Coupling resistance	≤ 20.00 mΩ/m (at 10 MHz)
Wave impedance	100 Ω ±15 Ω (at 100 MHz)
Loop resistance	≤ 120.00 Ω/km

VS-IP20-IP20-93B/5,0 - Network cable



1404366

<https://www.phoenixcontact.com/us/products/1404366>

Signal runtime	5.3 ns/m
Signal speed	0.66 c
Minimum bending radius, fixed installation	3 x D
Minimum bending radius, flexible installation	7 x D
Damping	2.1 dB (with 1 MHz) 4 dB (at 4 MHz) 6.3 dB (at 10 MHz) 8 dB (at 16 MHz) 9 dB (at 20 MHz) 11.4 dB (at 31.25 MHz) 16.5 dB (at 62.5 MHz) 21.3 dB (at 100 MHz)
Near end crosstalk attenuation (NEXT)	80 dB (with 1 MHz) 76 dB (at 4 MHz) 70 dB (at 10 MHz) 65 dB (at 16 MHz) 63 dB (at 20 MHz) 60 dB (at 31.25 MHz) 55 dB (at 62.5 MHz) 50 dB (at 100 MHz)
Resistance to oil	Resistant to oil to a limited extent
Flame resistance	according to UL 1685 (CSA FT 4)
Other resistance	UV resistant According to UL 1581, Section 1200
Ambient temperature (operation)	-40 °C ... 70 °C (Cable, flexible installation) -40 °C ... 70 °C (cable, fixed installation)

Environmental and real-life conditions

Ambient conditions

Degree of protection	IP20 IP20
Ambient temperature (operation)	-25 °C ... 60 °C (cable, fixed installation) -5 °C ... 50 °C (Cable, flexible installation)

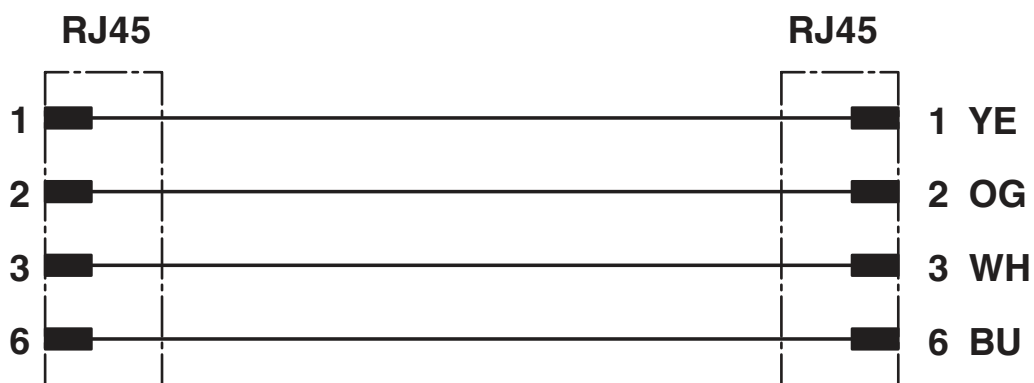
VS-IP20-IP20-93B/5,0 - Network cable

1404366

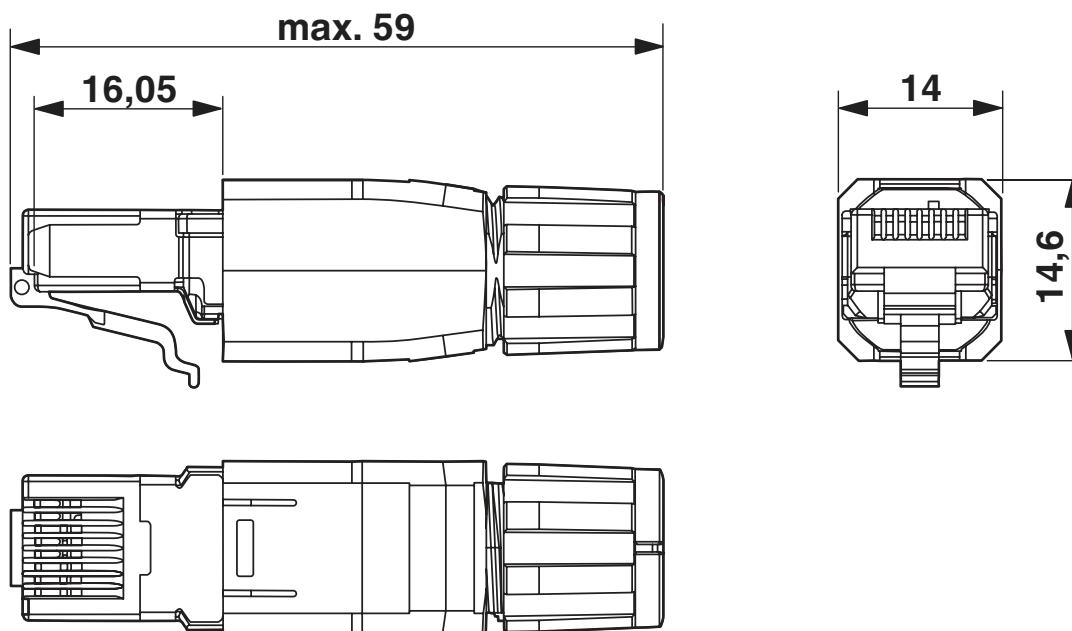
<https://www.phoenixcontact.com/us/products/1404366>

Drawings

Circuit diagram



Dimensional drawing



RJ45 connector, IP20

VS-IP20-IP20-93B/5,0 - Network cable



1404366

<https://www.phoenixcontact.com/us/products/1404366>

Approvals

To download certificates, visit the product detail page: <https://www.phoenixcontact.com/us/products/1404366>



EAC

Approval ID: 19060508

VS-IP20-IP20-93B/5,0 - Network cable



1404366

<https://www.phoenixcontact.com/us/products/1404366>

Classifications

ECLASS

ECLASS-11.0	27060308
ECLASS-12.0	27060308
ECLASS-13.0	27060308

ETIM

ETIM 8.0	EC002599
----------	----------

UNSPSC

UNSPSC 21.0	26121600
-------------	----------

VS-IP20-IP20-93B/5,0 - Network cable



1404366

<https://www.phoenixcontact.com/us/products/1404366>

Environmental product compliance

China RoHS	Environmentally friendly use period: unlimited = EFUP-e No hazardous substances above threshold values
------------	---

Phoenix Contact 2023 © - all rights reserved
<https://www.phoenixcontact.com>

Phoenix Contact USA
586 Fulling Mill Road
Middletown, PA 17057, United States
(+717) 944-1300
info@phoenixcon.com