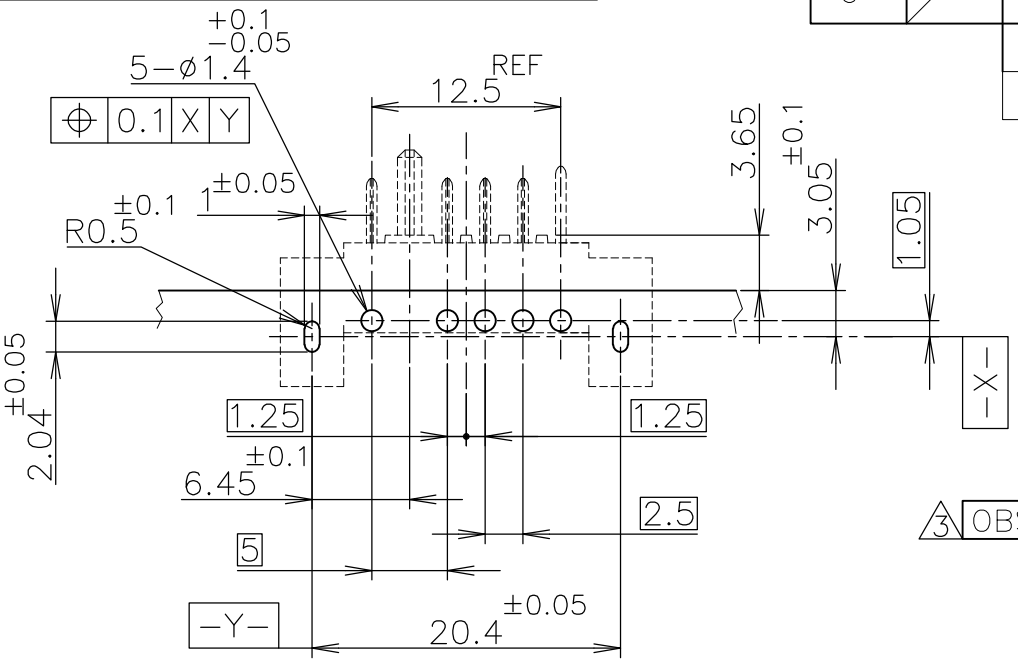
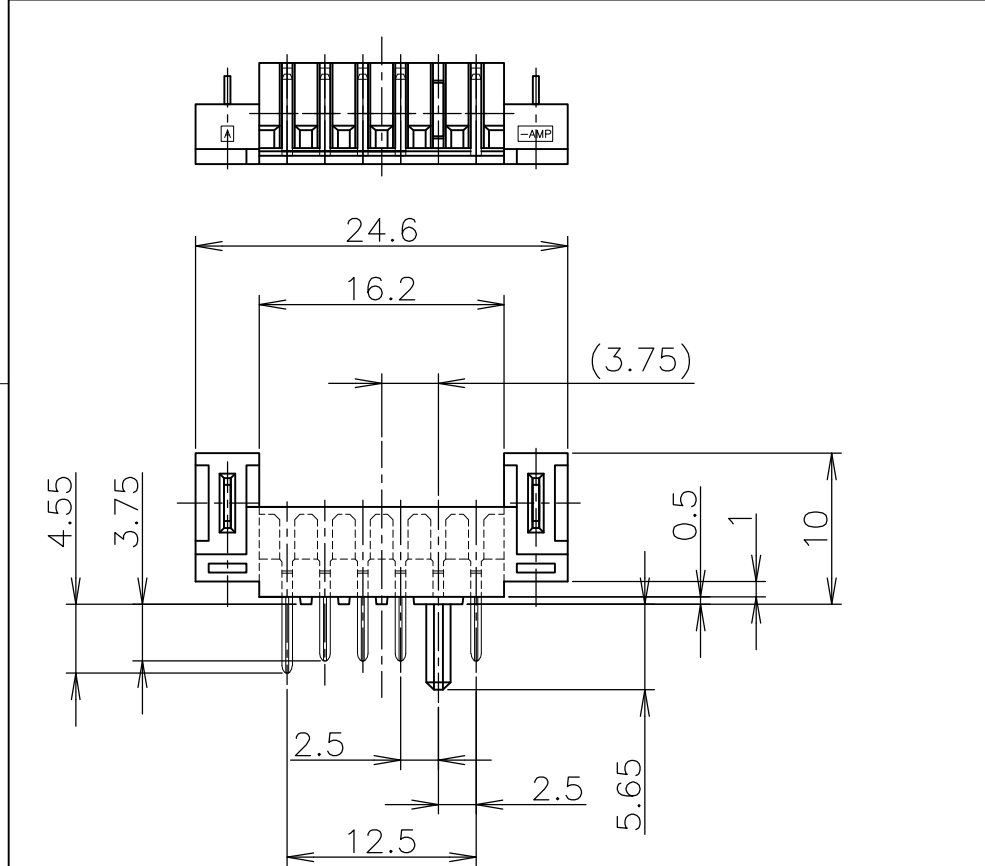


THIS DRAWING IS UNPUBLISHED. RELEASED FOR PUBLICATION OCT., 2004.
 © COPYRIGHT 2004 BY TYCO ELECTRONICS CORPORATION. ALL RIGHTS RESERVED.

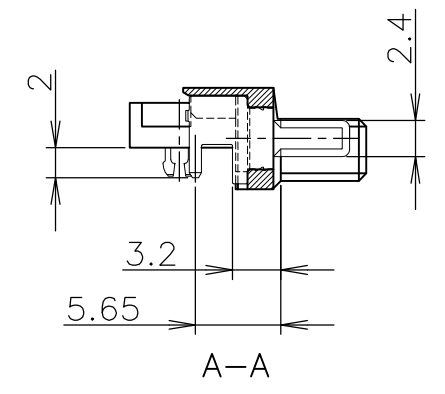
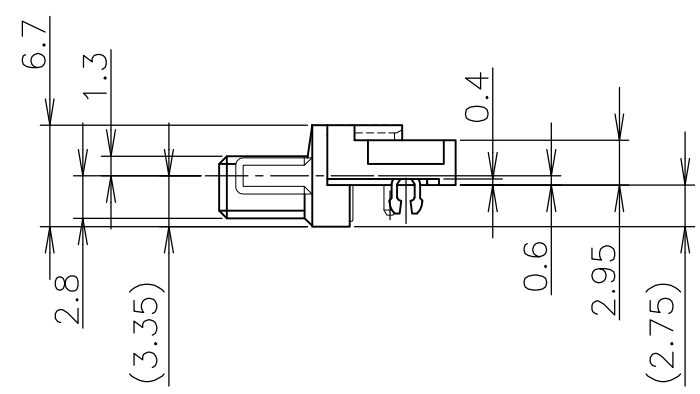
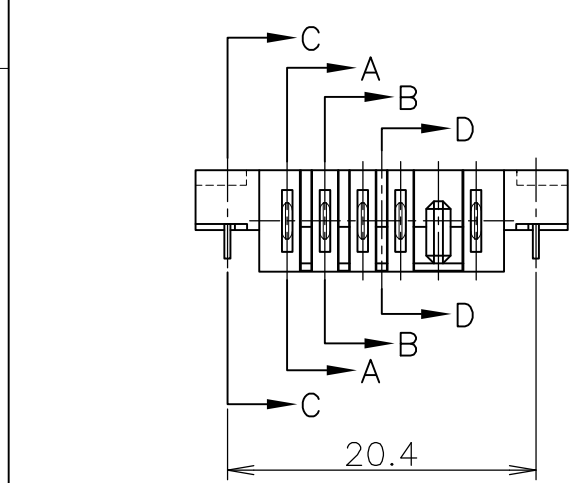
LOC	DIST	REVISIONS 変更			
P	LTR	DESCRIPTION	DATE	DWN	APVD
		RELEASED FJBO-1200-04	08OCT04	T.K	K.I
		REVISED PER ECO-09-024927	10NOV09	KK	AEG



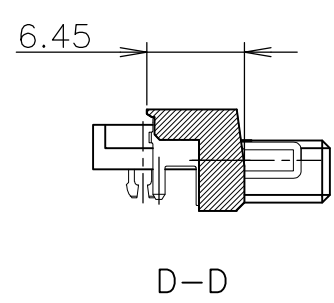
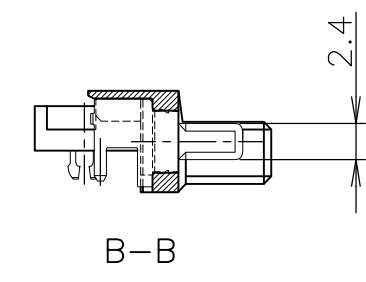
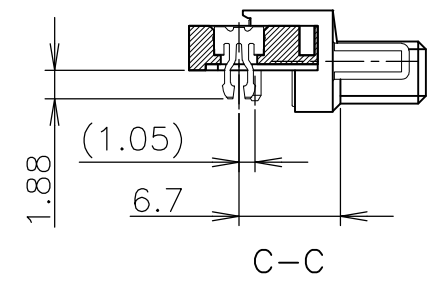
1-6318792-1	FOR AUTO CHIP MOUNTER
6318792-1	NORMAL
PART NUMBER	TRAY TYPE

基板取付推奨寸法
 RECOMMENDED P.C. BOARD LAYOUT
 P.C. BOARD THK 0.8~1.2
 (VIEW FROM CONNECTOR MOUNTING SIDE)

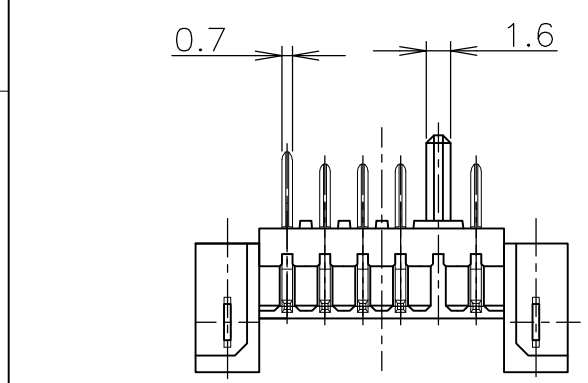
- ① 材料 ハウジング：熱可塑性樹脂 UL94V-0
色；黒
コンタクト：銅合金
リテンションレグ：銅合金
- ② 仕上げ コンタクト：Ni 下地めっき
接触部 Pd-Niめっき
接触部 Au フラッシュめっき
半田付け部 すずめっき
リテンションレグ：すずめっき



- ① MATERIAL HOUSING : THERMOPLASTIC RESIN, UL94V-0
COLOR ; BLACK
CONTACT : COPPER ALLOY
RETENTION LEG : COPPER ALLOY
- ② FINISH CONTACT : Ni ALL OVER UNDER PL
Pd-Ni PL. AT CONTACT AREA
Au FLASH PL. AT CONTACT AREA
TIN PL. AT LEAD AREA
RETENTION LEG : TIN PL.



③ OBSOLETE PARTS: OBSOLETE CIS STREAMLINING PER D.RENAUD/D.SINISI



THIS DRAWING IS A CONTROLLED DOCUMENT.		DWN T.KATANO 08OCT04	Tyco Electronics AMP K.K. Kawasaki, Japan	
DIMENSIONS: 単位： 耗 mm		CHK T.KIMURA 08OCT04	NAME K.IKEGAMI	
TOLERANCES UNLESS OTHERWISE SPECIFIED: 一般公差		APVD 08OCT04	PRODUCT SPEC 製品規格 108-78211	
0 PLC ± 0.2 1 PLC ± 0.2 2 PLC ± 0.2 3 PLC ± 0.2 4 PLC ± 0.2 ANGLES ± 0.3°		APPLICATION SPEC 取付適用規格		PLUG ASSEMBLY 2.5mm PITCH BATTERY CONNECTOR 5POS. OFF SET TYPE (T2)
MATERIAL 材料	FINISH 仕上	SIZE A3	CAGE CODE 00779	DRAWING NO 番号 G-6318792
①	②	RESTRICTED TO		—
CUSTOMER DRAWING		SCALE 尺度 2:1	SHEET 1 OF 1	REV 01