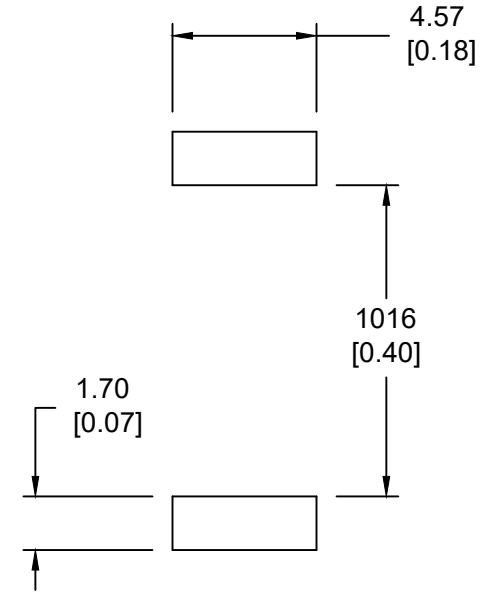
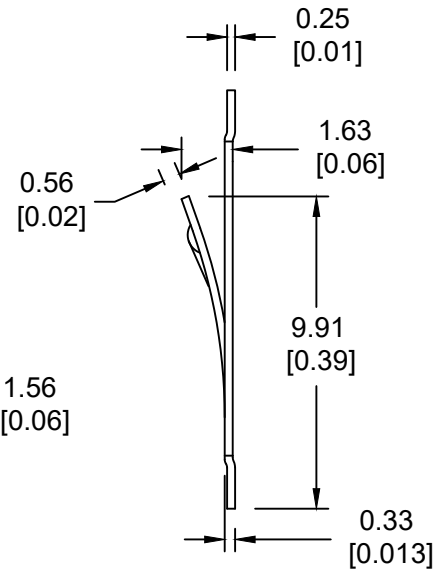
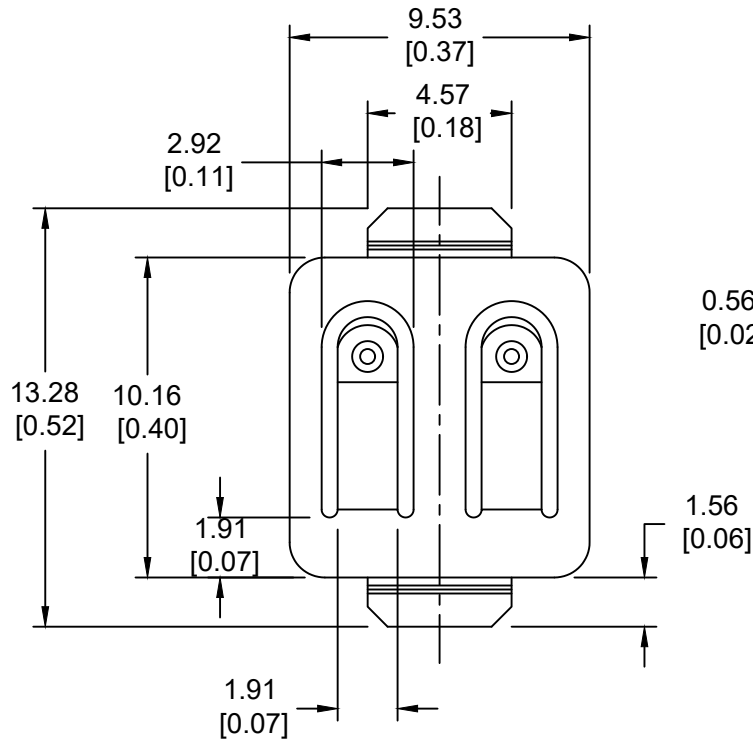



Date	SYM	REVISION RECORD	AUTH	DR.	CK.
03/26/19	A	Updated to "ROHS Compliant"	T.B.	B.S.	



PCB LAYOUT

NOTES:

1. MATERIAL:  
0.25mm PHOSPHOR BRONZE, NICKEL PLATED.
2. ROHS COMPLIANT

Tolerance (Except as noted)	 <b>Memory Protection Devices, Inc</b> 200 Broad Hollow Road, Farmingdale, New York 11735			
decimal ±.5 (.020)			Scale	Drawn By B.S.
Fractional ±.8 (.030)	Title <b>GENERIC COIN CELL NEGATIVE CONTACT FOR CR2032,CR2450</b>			
Angular ± 3°	Date 03/26/19	Drawing Number BC-2020		