

6

5

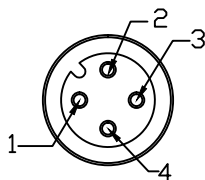
4

3

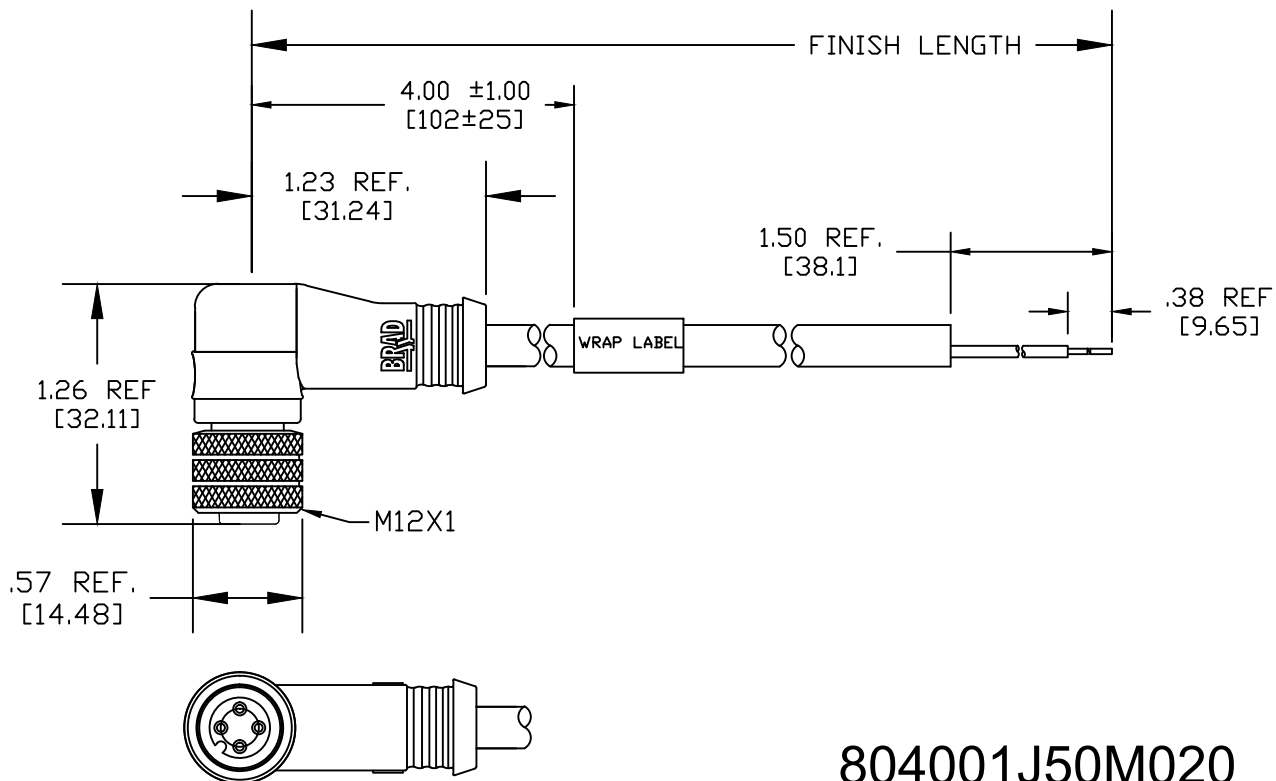
2

1

FEMALE INSERT  
FRONT VIEW



- 1 BROWN
- 2 WHITE
- 3 BLUE
- 4 BLACK



# 804001J50M020

Wire type  
22/4C AWG light  
Gray PVC

cable length  
M020----2 Meter  
M100----10 Meter

**MECHANICAL**  
 CONTACT : GOLD/NICKEL OVER COPPER ALLOY  
 INSERT : BLACK PUR  
 O-RING: RED VITON  
 COUPLING NUT: TEFLON COAT OVER NICKEL PLATED BRASS  
 MOLDED BODY: GRAY PVC  
 CABLE: 22 AWG 4 CONDUCTORS LIGHT GRAY PVC JACKET  
 CABLE MARKING: RJ AWM STYLE 2937 VW-1 80C 300V E65859  
 SWCC SHOWA CSA AWM II A 80C 300V FT1 LL40873  
 22AWGX4C 1-BROWN 2-WHITE 3-BLUE 4-BLACK LF  
 WRAP LABEL: MYLAR WHITE WITH BLACK LETTERS

**ELECTRICAL**  
 VOLTAGE RATING: 250V AC/DC  
 AMPERAGE: 4A

**ENVIRONMENTAL**  
 PROTECTION: IP67 PER IEC 60529  
 IP68 PER SPEC PS-120001-001  
 OPERATION TEMP: 0°C~80°C

RELEASE EC NO: WEU2012-0002 DRWN: TWOLDEGE 2011/07/01 CHKD: VOU APPR: JFMURPHY 2012/04/17	QUALITY SYMBOLS	DESCRIPTION REV
	▽=0	
	∇=0	
	A	

GENERAL TOLERANCES (UNLESS SPECIFIED)		
	mm	INCH
4 PLACES	±---	±---
3 PLACES	±---	±.005
2 PLACES	±0.13	±0.010
1 PLACE	±.25	±0.020
ANGULAR ±---°		
DRAFT WHERE APPLICABLE MUST REMAIN WITHIN DIMENSIONS		

DIMENSION STYLE	
IN/MM	
DRAWN BY	DATE
TWOLDEGE	2011/07/01
CHECKED BY	DATE
VOU	---
APPROVED BY	DATE
JFMURPHY	2012/04/17
MATERIAL NO.	
SIZE	
A	

SCALE	DESIGN UNITS	THIRD ANGLE PROJECTION	
1:1	INCH		
TITLE			
MICRO CHANGE ASSEMBLY 4-POLE FEMALE 90D 22/4 AWG LIGHT GRAY PVC			
MOLEX INCORPORATED			
DOCUMENT NO.			SHEET NO.
SD-120001-002			1 OF 1
THIS DRAWING CONTAINS INFORMATION THAT IS PROPRIETARY TO MOLEX INCORPORATED AND SHOULD NOT BE USED WITHOUT WRITTEN PERMISSION			

6

5

4

3

2

1

E

E

D

D

C

C

B

B

A

A