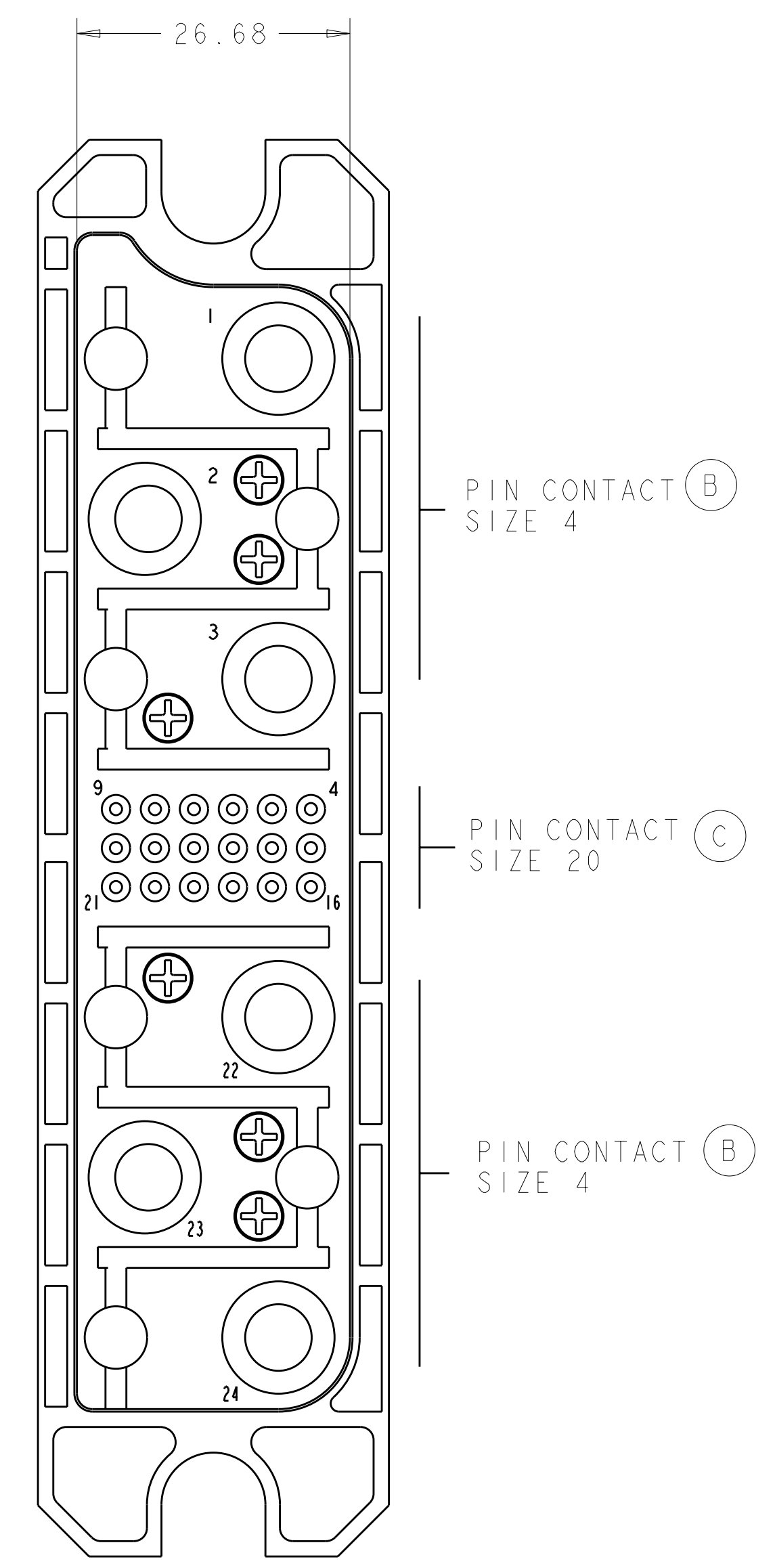
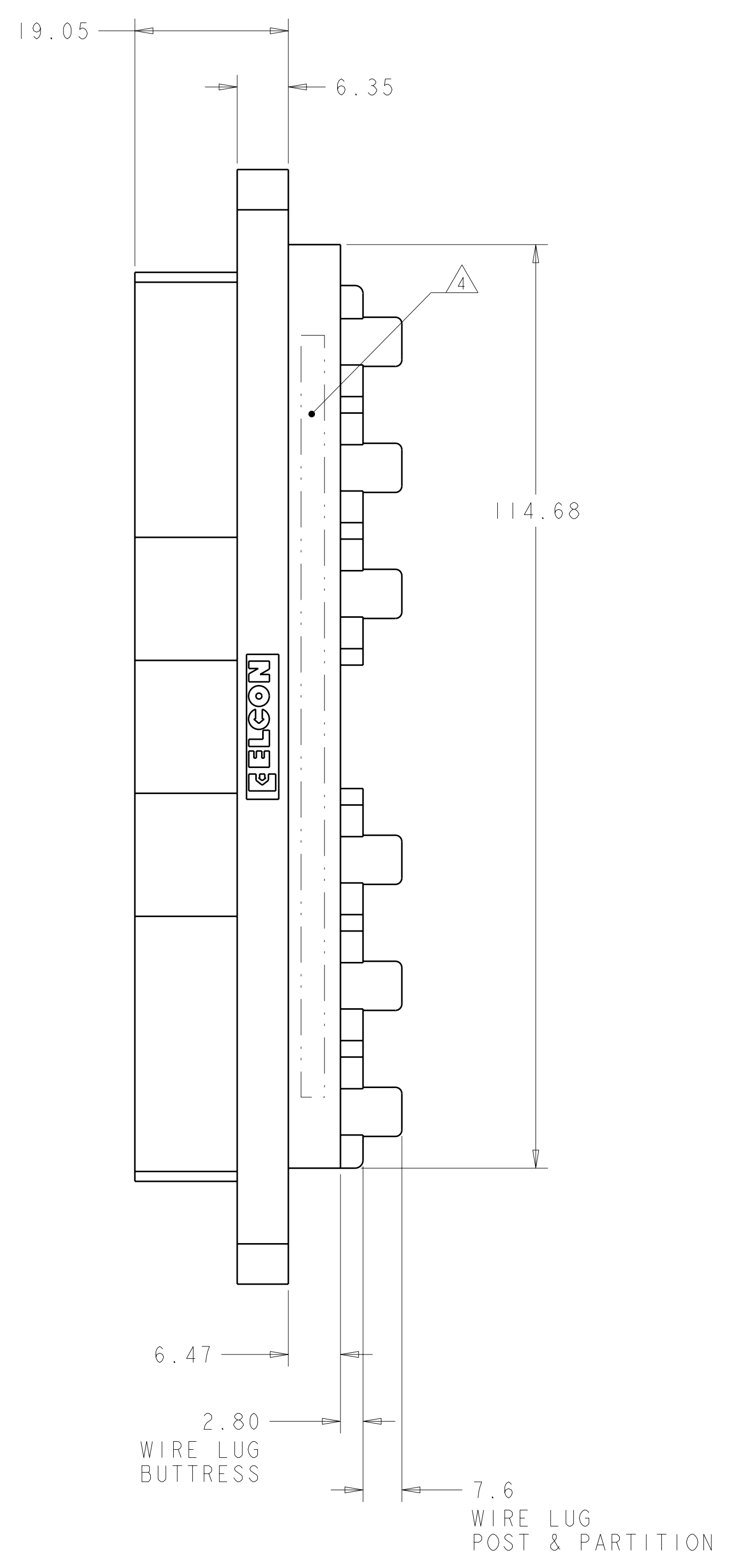
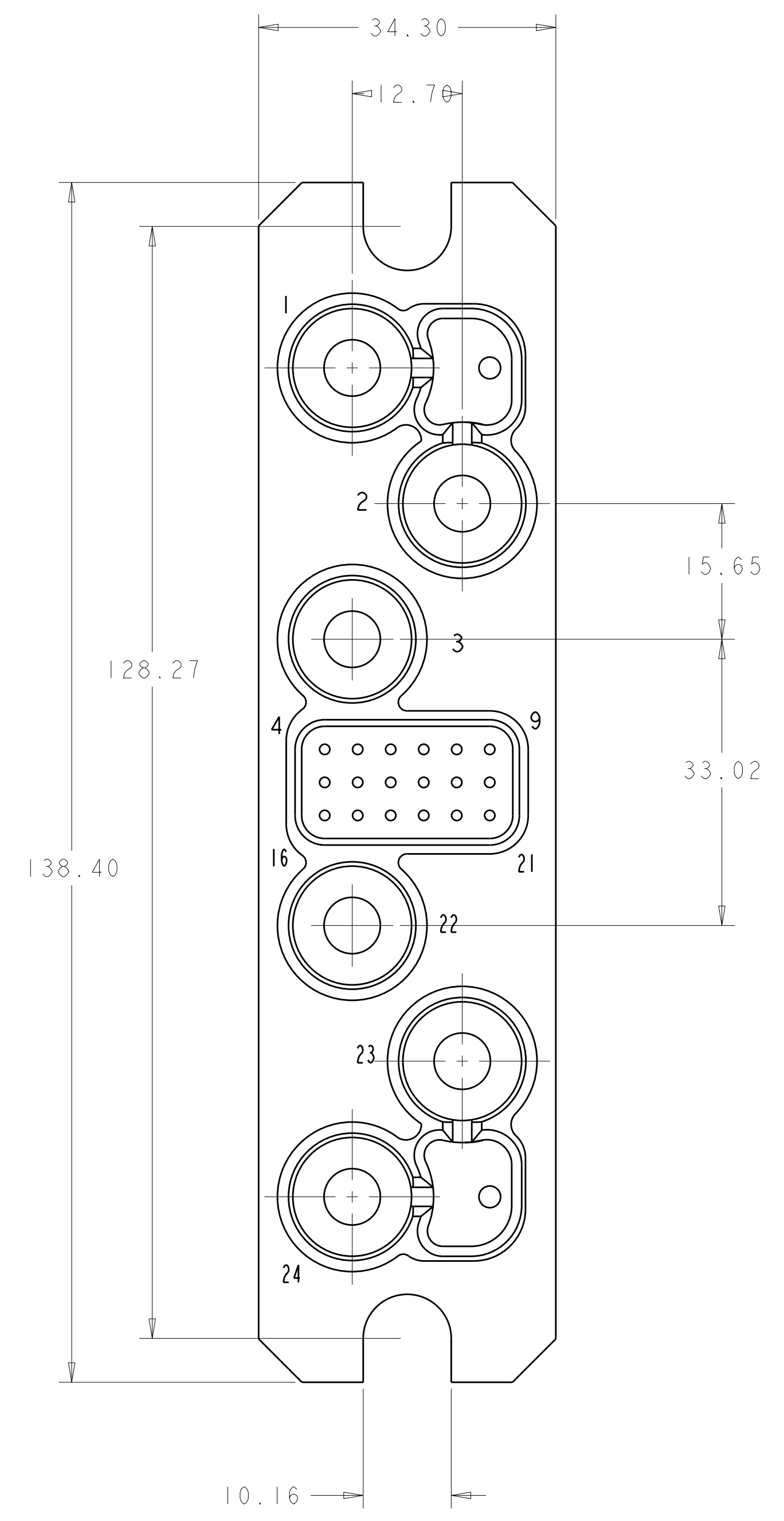


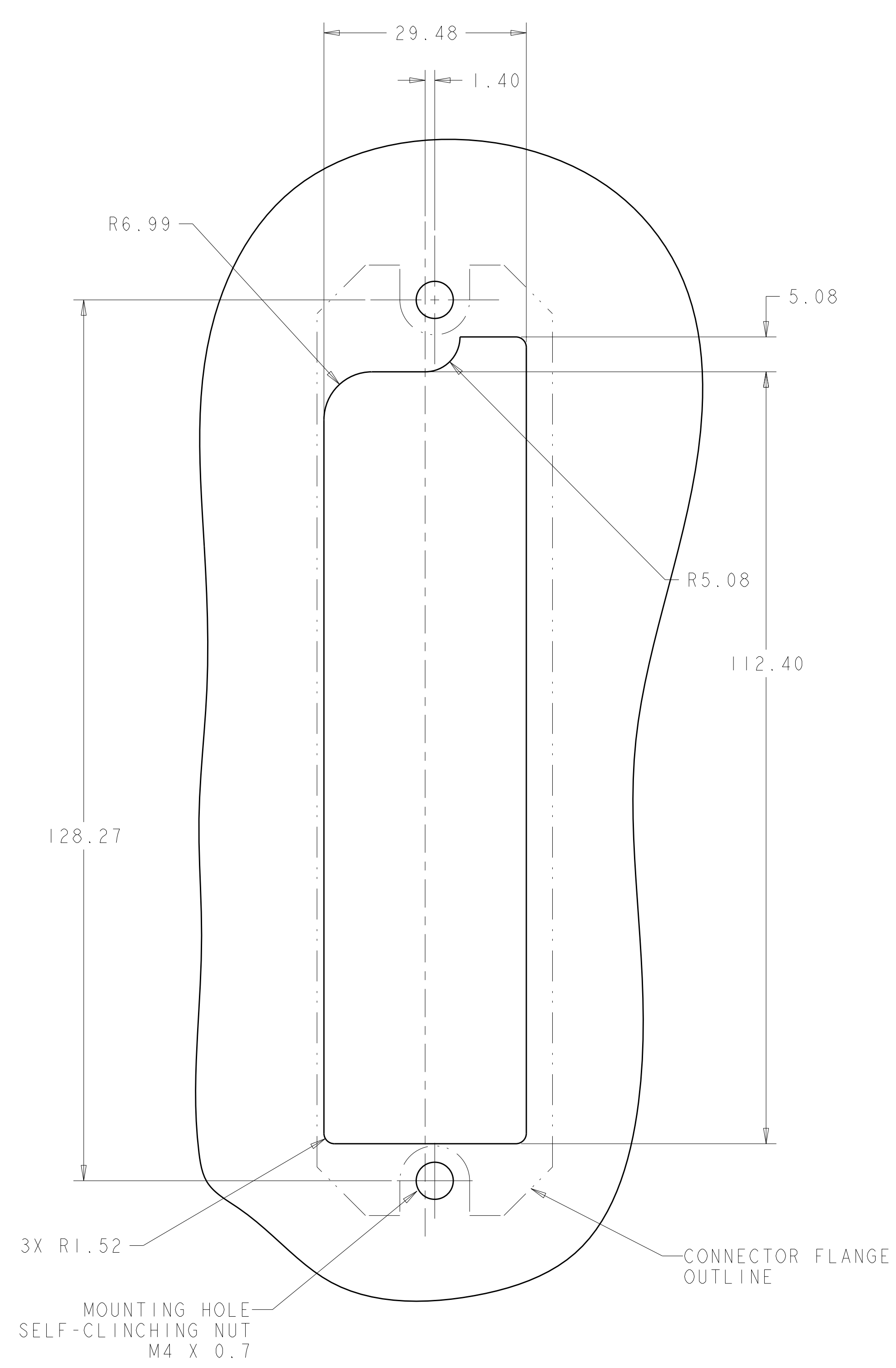
LOC		DIST		REVISIONS			
GP	00	P	LTR	DESCRIPTION	DATE	DWN	APVD
		A		RELEASED	09OCT2008	RG	DO



ELCON CUSTOM DRAWER

<small>THIS DRAWING IS UNPUBLISHED. RELEASED FOR PUBLICATION BY TYCO ELECTRONICS CORPORATION. ALL RIGHTS RESERVED.</small>		DWN: R. GRZYBOWSKI CHK: D. ORRIS APVD: M. PERCHERKE	T0SEPT08 T0SEPT08 T0SEPT08	Tyco Electronics Harrisburg, PA 17105-3608
DIMENSIONS: mm 	TOLERANCES UNLESS OTHERWISE SPECIFIED: 9 PLC ±.5 1 PLC ±.5 2 PLC ±.25 3 PLC ±.5 4 PLC ±.5 ANGLES ±.2	NAME: PIN CONNECTOR ASSY P6S18 CUSTOM DRAWER	SIZE: A CAGE CODE: 100779 DRAWING NO: C-1926992	RESTRICTED TO: - SCALE: 2:1 SHEET: 1 OF 2 REV: A
MATERIAL: -	FINISH: -	WEIGHT: -	CUSTOMER DRAWING	

LOC	DIST	REVISIONS			
GP	00	REV	DATE	BY	APPD
-	-	SEE SHEET 1	-	-	-



SUGGESTED PANEL CUTOUT
 VIEW FROM CONNECTOR MOUNTING SIDE

- PART NUMBER CHANGES AND OR DESIGN CHANGES AFFECTING THE INTERCHANGEABILITY REQUIRE PRIOR TYCO ELECTRONICS APPROVAL AND AUTHORIZATION BY REVISION TO THIS DRAWING.
 - MATERIAL:
 INSULATOR: THERMOPLASTIC, GLASS REINFORCED, FLAMMABILITY RATED, COLOR: BLACK
 CONTACT: COPPER
 RETENTION CLIPS: BERYLLIUM COPPER OR STAINLESS STEEL
 SHOULDER SCREW: STAINLESS STEEL
 - FINISH:
 CONTACT SIZE #20: GOLD PLATE 0.254µm MIN THK. OVER NICKEL 1.27µm MIN THK.
 CONTACT SIZE #4 : SILVER PLATE 5.08µm OVER NICKEL 1.27µm MIN THK.
4. ITEMS PROVIDED TO THIS SPECIFICATION TO BE PERMANENTLY IDENTIFIED PER THE FOLLOWING IDENTIFIER:
- YEAR] [WEEK
- TYCO ELECTRONICS P/N DATE CODE (e.g. 0216)
- XXXXXXX-X XXXX
5. CRIMP CONTACTS AND SHOULDER SCREW (ITEMS B,C AND D) ARE PACKAGED SEPARATELY AND PLACED IN THE BOX WITH THE CONNECTOR ASSEMBLY.

2	1650589-1	SCREW, SHOULDER, FLOAT, M4 X .7	D
18	1650161-1	CONTACT, PIN, SIZE #20, CRIMP, PREMATE	C
6	1766232-1	CONTACT, PIN, SIZE #4, CRIMP, STD	B
1	6766615-2	PIN HOUSING SUBASSEMBLY	A
-1	PART NUMBER	DESCRIPTION	ITEM NO.

DIMENSIONS: mm 		TOLERANCES UNLESS OTHERWISE SPECIFIED: 9 PLC ±.5 1 PLC ±.5 2 PLC ±.25 3 PLC ±.5 4 PLC ±.5 ANGLES ±.2		DWN R. GRZYBOWSKI 10SEP08 CHK D. ORRIS 10SEP08 APVD M. PERCHERKE 10SEP08		Tyco Electronics Harrisburg, PA 17105-3608	
MATERIAL: - FINISH: -		WEIGHT: - CUSTOMER DRAWING		NAME: PIN CONNECTOR ASSY P6S18 CUSTOM DRAWER SIZE: CAGE CODE: DRAWING NO: A100779C-1926992 RESTRICTED TO: -		SCALE: 2:1 SHEET 2 OF 2 REV A	