

6

5

4

3

2

1

E

E

D

D

C

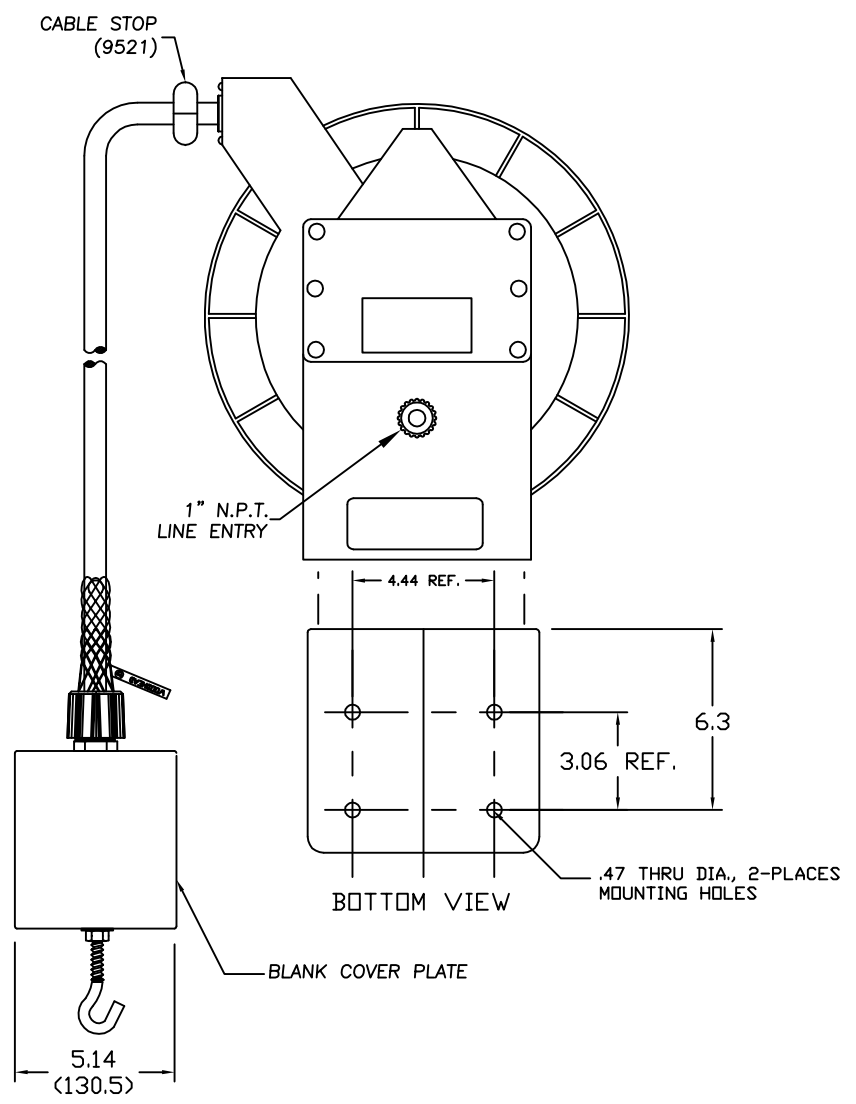
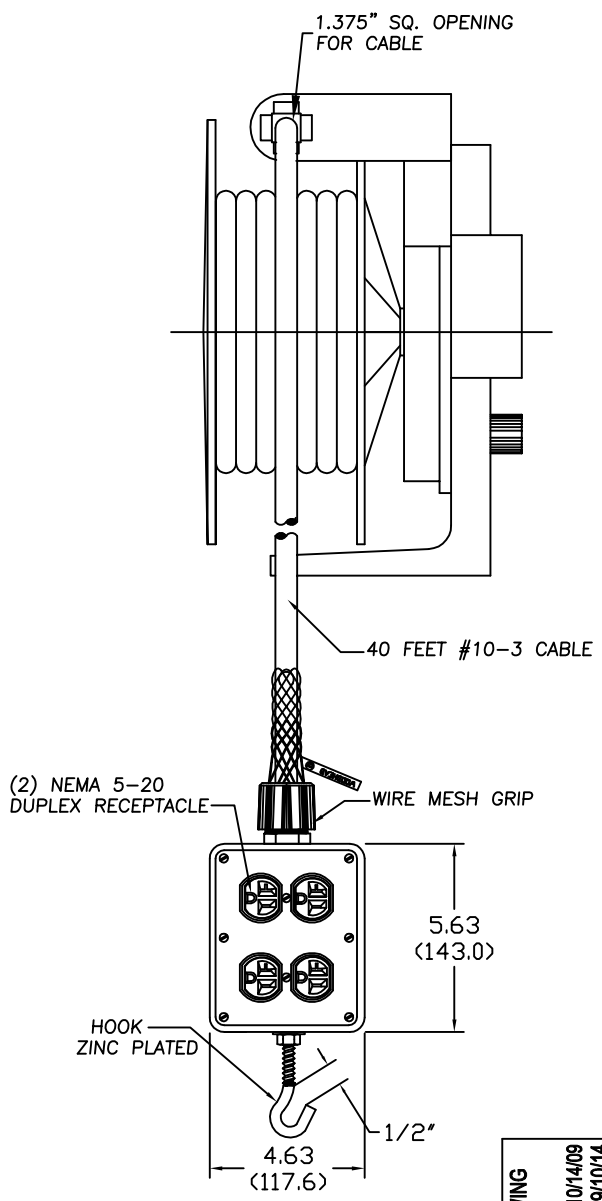
C

B

B

A

A



RELEASE CUST DRAWING EC NO: WNA2010-0284 DRWN: TVICKERS 10/14/09 CHKD: HK 2009/10/14 APPR: DTITUS 2009/11/06	DESCRIPTION REV	QUALITY SYMBOLS ▽=0 ∇=0	GENERAL TOLERANCES (UNLESS SPECIFIED)		DIMENSION STYLE IN/(MM)		SCALE NTS	DESIGN UNITS INCH	THIRD ANGLE PROJECTION	
		4 PLACES ±--- ±---	mm INCH	DRAWN BY DATE TV 2009/10/14	TITLE 92434 W/40' #10/3 W/(2) 5-20 DUPLEX RECEPTACLES & MESH					
		3 PLACES ±--- ±.05		CHECKED BY DATE HK 2009/10/14	MOLEX INCORPORATED					
		2 PLACES ±--- ±.010		APPROVED BY DATE DTITUS 2009/11/06	DOCUMENT NO. SD-130083-015					
		1 PLACE ±--- ±.020		MATERIAL NO. 1300830886	SHEET NO. 1 OF 2					
ANGULAR ±.5°			DRAFT WHERE APPLICABLE MUST REMAIN WITHIN DIMENSIONS		SIZE A	THIS DRAWING CONTAINS INFORMATION THAT IS PROPRIETARY TO MOLEX INCORPORATED AND SHOULD NOT BE USED WITHOUT WRITTEN PERMISSION				