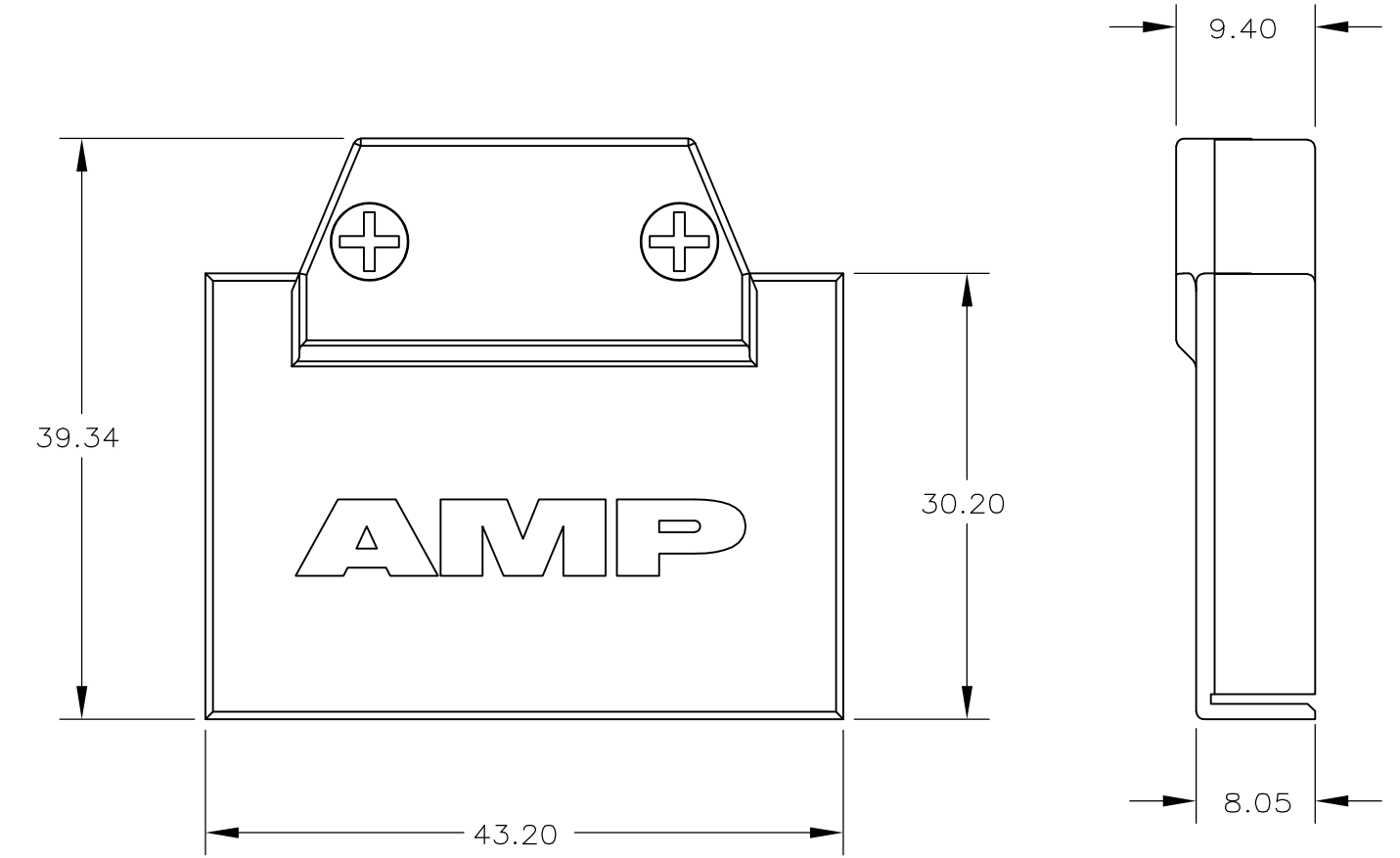
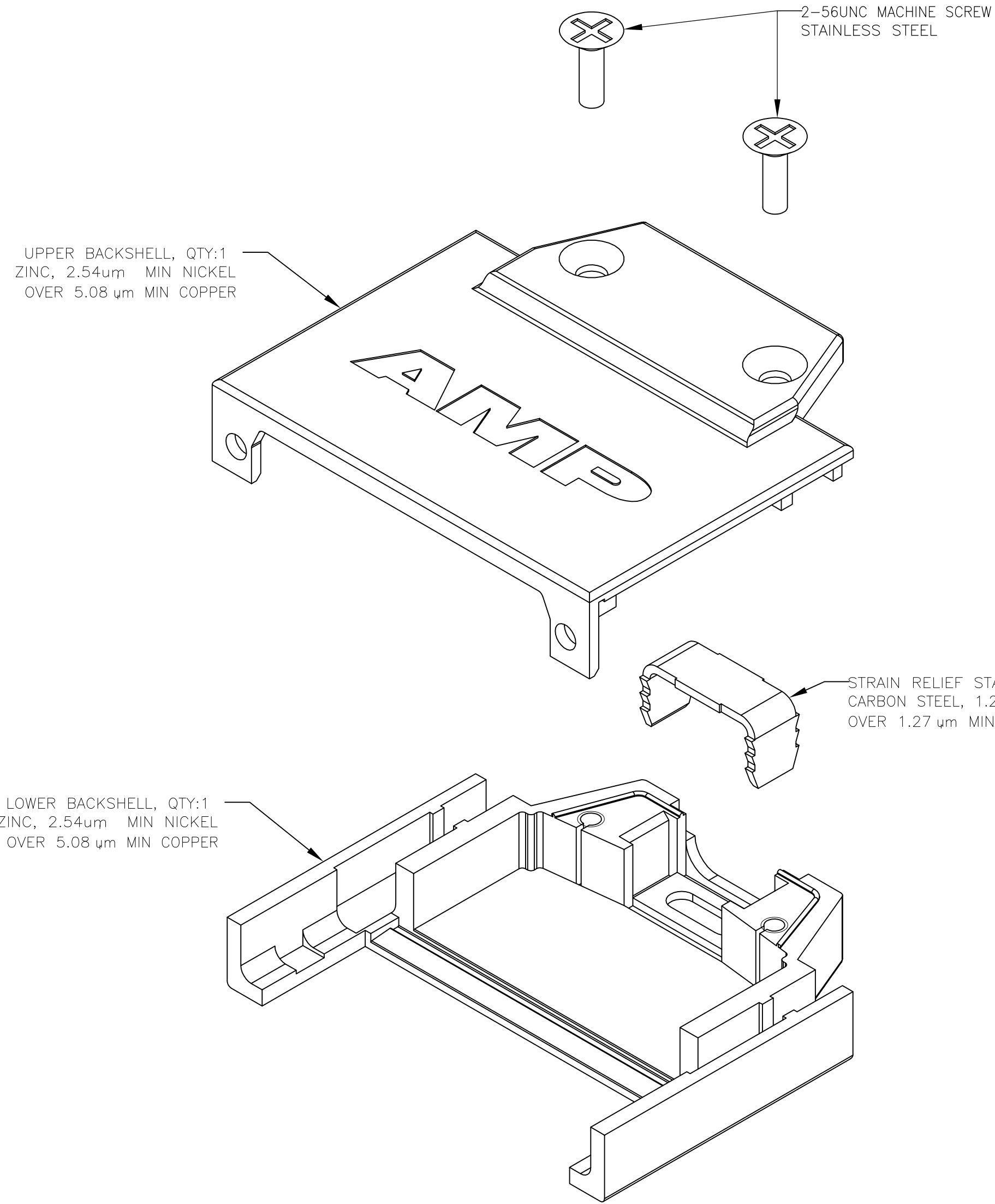


THIS DRAWING IS UNPUBLISHED. RELEASED FOR PUBLICATION
 © COPYRIGHT 19 BY TYCO ELECTRONICS CORPORATION. ALL RIGHTS RESERVED.

LOC	DIST	REVISIONS			
P	LTR	DESCRIPTION	DATE	DWN	APVD
GP	00	A	REVISED PER ECO-08-008770	01AUG2008	EDB



ASSEMBLED BACKSHELL KIT
SCALE 2:1

5788362

5788362-1
PART NUMBER

**COPYRIGHT 2005
TYCO ELECTRONICS CORP
ALL RIGHTS RESERVED**

THIS DRAWING IS A CONTROLLED DOCUMENT.		DWN J. ALCORTA - 08-01-05 DOCK5	Tyco Electronics Corporation Harrisburg, Pa 17105-3608	
DIMENSIONS: mm		CHK S. SHUEY 08-01-05	NAME M. WALMSLEY 08-01-05	
TOLERANCES UNLESS OTHERWISE SPECIFIED:		APVD M. WALMSLEY 08-01-05	PRODUCT SPEC APPLICATION SPEC	
0 PLC ± - 1 PLC ± - 2 PLC ± 0.13 3 PLC ± - 4 PLC ± - ANGLES ± -		WEIGHT -	SIZE A2	CAGE CODE 00779
MATERIAL SEE CALLOUTS		FINISH SEE CALLOUTS	DRAWING NO C=5788362	
		CUSTOMER DRAWING		RESTRICTED TO -
		SCALE 3:1	SHEET 1 OF 1	REV A