

WJ15EDGVF-3.81
PLUG-IN TERMINAL BLOCK



PCB connector
 Rated current: 8 A
 Rated voltage: 300 V
 Pitch: 3.81 mm



UL/CUL

Use Group	B	C	D
Rate Voltage [V]	300	-	300
Rated Current [A]	8	-	8
Wire Range [AWG]	/		
Dielectric Voltage-Withstand	1.6KV		

IEC

Overvoltage Category	III	III	II
Contamination Class	3	2	2
Rated Voltage [V]	160	160	250
Rated Current [A]	7	7	7
Impulse withstand voltage [KV]	2.5	2.5	2.5
Conductor cross section[solid/flexible] [mm ²]	/		

Material

Insulation Material	PA66
Flame retardant rating	UL94V-0

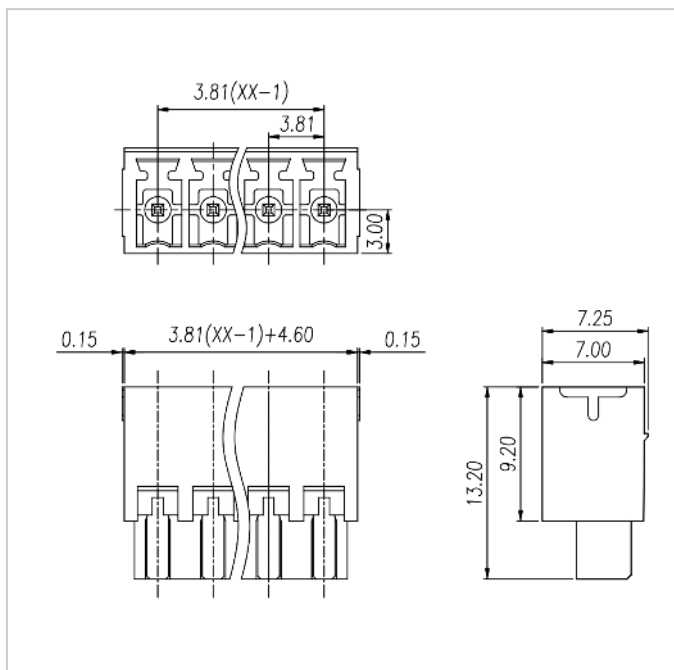
WJ15EDGVF-3.81
PLUG-IN TERMINAL BLOCK

Conductor Material	Copper alloy
Plating of conductor surface	Sn plated

Other Data

Pitch/Poles [mm]/[P]	3.81/2~4
Stripping Length [mm]	/
Screw/Torque(Max)[N.m]	/
Operating temperature [°C]	
Soldering temperature	260°C/5S
Pin dimensions [mm]	/
PCB Hole Diameter [mm]	/

Dimensions



Accessories