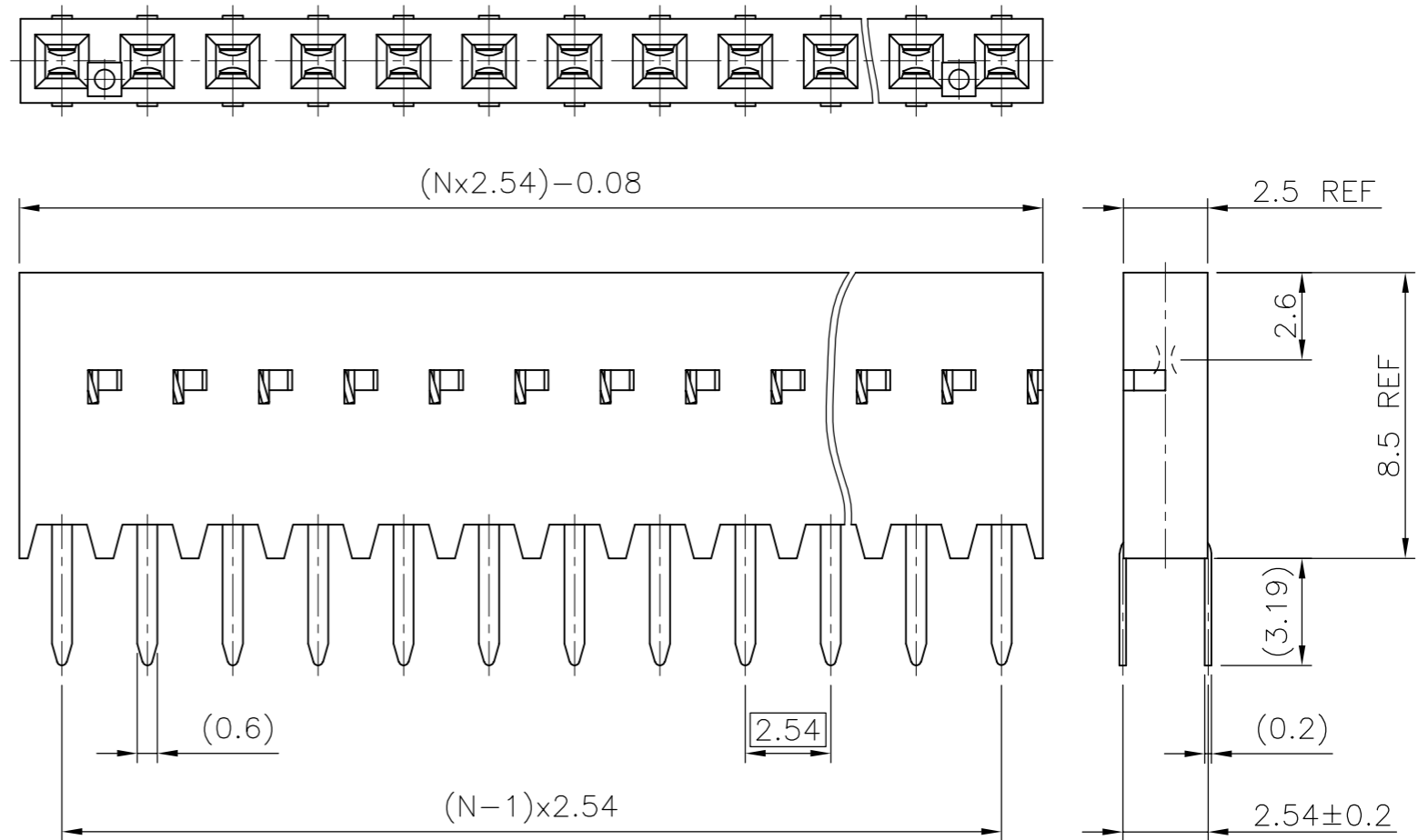


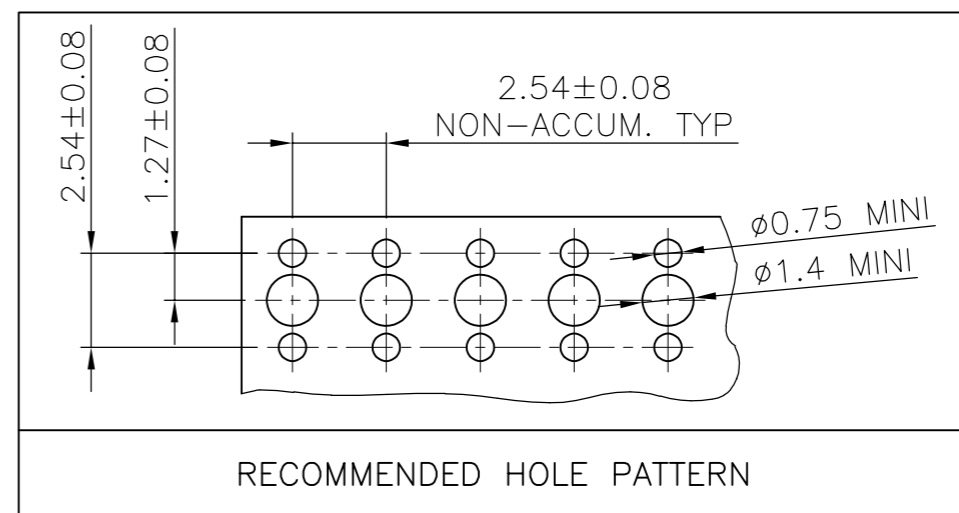
PRODUCT NUMBER
77424-YXXLF

- RoHS COMPATIBLE, SEE NOTE 5
- NUMBER OF POSITIONS: 02 TO 50.
- PLATING CODE
 - 3= 0.76µm GOLD ON CONTACT AREA.
2µm MIN MATTE TIN ON TAIL.
 - 4= 2µm MIN MATTE TIN FULL PLATED
1.27µm Ni MIN UNDERPLATING



NOTES:

- 1 - HOUSING MAT'L: THERMOPLASTIC GLASS FILLED FLAME RETARDANT PER UL 94 V-O COLOR: BLUE.
- 2 - TERMINAL MATERIAL: PHOSPHOR BRONZE.
- 3 - 02 UP TO 04 POSITIONS PRODUCT PACKED IN PLASTIC BOX. 05 UP TO 50 POSITIONS PRODUCT PACKED IN TUBE.
- 4 - TO DETERMINE DIMENSIONS:
N = NUMBER OF POSITIONS
EXAMPLE: 8 POS: $(N \times 2.54) - 0.08 = 20.24$ mm
- 5 - RoHS COMPATIBLE PRODUCT SPECIFICATIONS
 - a - PLATING:
 - "LF" MEANS THE PRODUCT IS LEAD-FREE, 2µm MINIMUM MATTE TIN OVER 1.27µm MINIMUM NICKEL UNDERPLATE.
 - b - MANUFACTURING PROCESS COMPATIBILITY
 - THE HOUSING WILL WITHSTAND EXPOSURE TO 260°C ±5°C SOLDER BATH TEMPERATURE FOR 5 SECONDS IN A WAVE SOLDER APPLICATION WITH A 1.6mm MIN THICK CIRCUIT BOARD.
 - c - LABELING:
 - MEETS PACKAGING SPECS AS PER GS-14-920
 - d - LEGAL STATEMENT: SEE GS-47-0004



mat'l. code SEE NOTES				surface ISO 1302 ✓		tolerance ISO 406 ISO 1101		projection mm		product family DUBOX	
ltr	ecn no	dr	date	tolerances unless otherwise specified							
J	F-45669	DDE	22.08.17	angles	linear	scale 5:1		title BtB RECEPT. VERT SR TMT			
D	F04-0153	DLE	04.03.18					dwg no 77424			
E	F05-0172	DLE	05.04.11	dr	G CORBOZ	01.01.23	FCI		sheet 1 of 1 size A3		
F	F06-0204	DLE	06.06.21	enr	P NIZZI	01.01.23			type CUSTOMER Drawing		
G	B-19123	LMU	14.10.21	chr	D LEGRAND	01.01.23					
H	B-19232	LMU	14.10.28	appd	P-N	01.01.23					
sheet index		revision sheet									