

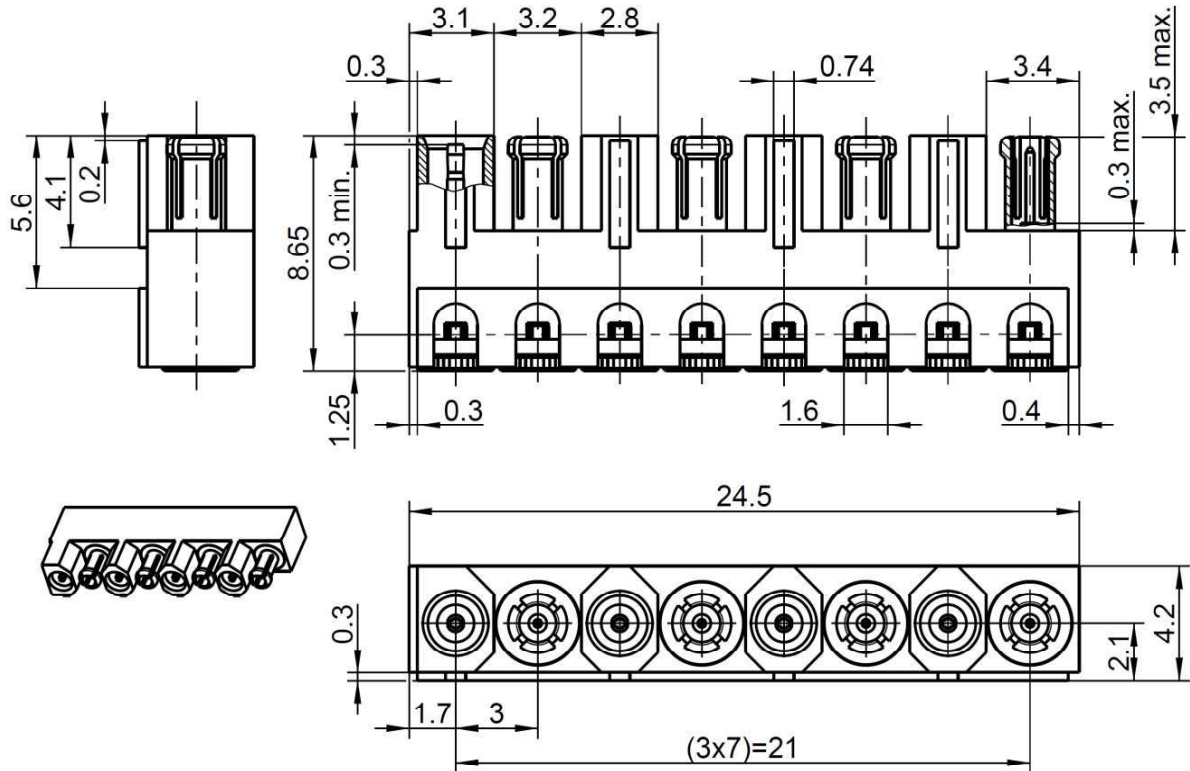
Technical Data Sheet

Rosenberger

Insert
Mini-Coax

8 Channel Block
Right Angle

23C25D-40ML5



All dimensions are in mm; tolerances according to ISO 2768 m-H

Interface

According to

Rosenberger Mini-Coax

Documents

PCB - Layout

B 501B

Material and plating

Connector parts

Center contact
Outer contact male
Outer contact female
Body
Dielectric

Material

CuBe or equiv.
CuBe
Brass
Brass
PTFE

Plating

AuroDur®, gold plated
AuroDur®, gold plated
AuroDur®, gold plated
AuroDur®, gold plated