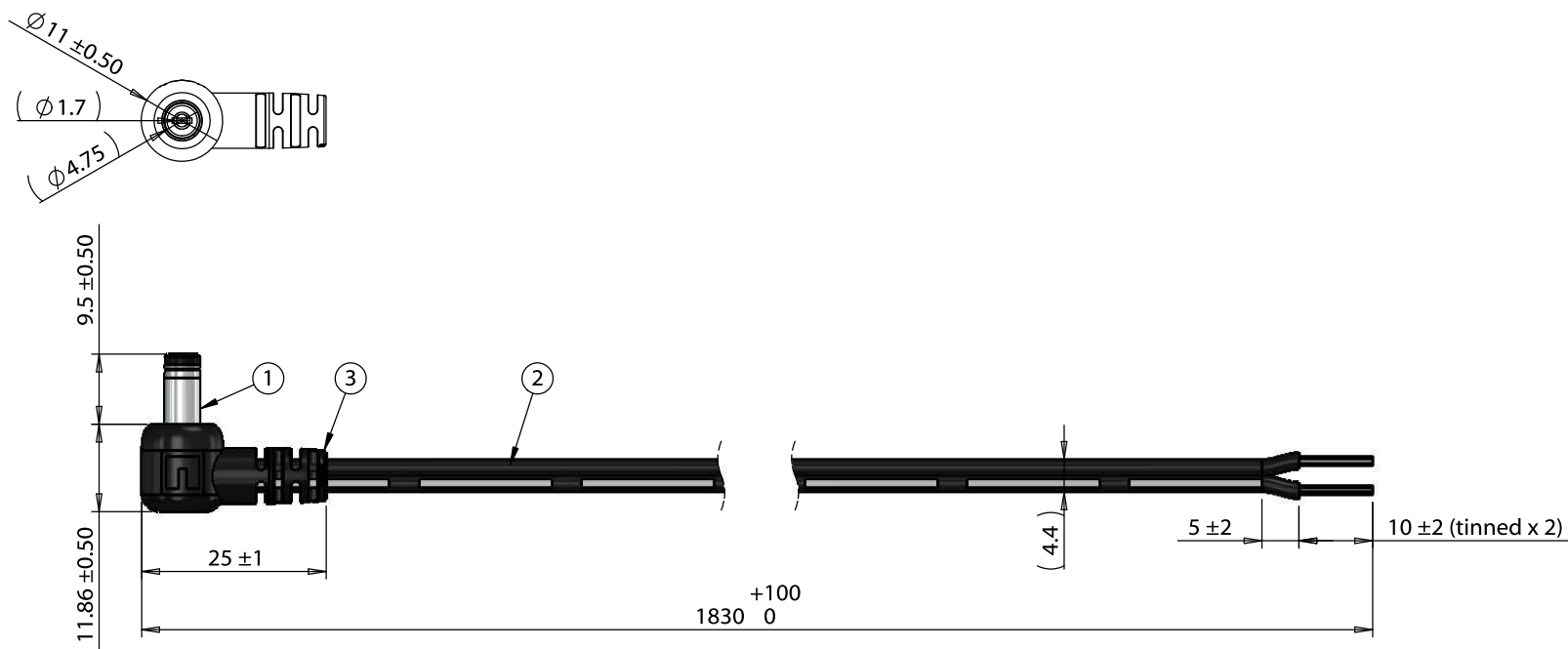


| ITEM NO. | PART NUMBER | DESCRIPTION   | QTY. | COMPONENT NOTES |
|----------|-------------|---|------|-----------------|
| 1        | 50-00028    | Connector, dc plug, 4.75x1.7xL20 mm, EIAJ-3, molding style, spring contacts | 1    |                 |
| 2        | 30-00395    | Wire, 2C TS, 18 AWG, UL2468, 300V, 80C, 4.4 mm, VW-1, PVC, 87A              | 1    |                 |
| 3        | 24-00006    | Overmold, PVC   | 1    | black           |



| Wiring Diagram |                   |
|----------------|-------------------|
| 50-00028       | wire color        |
| center         | black with stripe |
| sleeve         | black             |

**Notes:**  
Functionally equivalent components may be substituted

|           |            |                 |  |   |  |
|-----------|------------|-----------------|--|---|--|
| Revision: | Date:      | Description:    | Prepared:  | Notes:  | <h1>TENSILITY</h1> <p>tel 1.541.323.3228 800 877.670.7118<br/>fax 1.541.323.4202 web tensility.com</p> |
| A         | 02/07/2018 | Initial release | GL<br><small>Digitally signed by GL<br/>Date: 2018.02.07<br/>14:31:44 -08'00'</small>            |   |  |
|           |            |                 | Verified:  | Function test: no open, no short circuit, no intermittent   |  |
|           |            |                 | JP<br><small>Digitally signed by JP<br/>Date: 2018.02.13<br/>15:05:05 -08'00'</small>            | Description:  | Size: Part number:   |
|           |            |                 | Dimensions are in millimeters.<br>Tolerances:<br>X: ± 0.5 mm<br>X.X: ± 0.3 mm<br>X.XX: ± 0.05 mm | Cable, 1830 mm, 4.75x1.7x9.5 mm 90° 50-00028 dc plug to 10 mm tinned, 18 AWG, UL2468, 30-00395 wire | A 10-02511   |
|           |            |                 |  |   | Scale: 1:1  Sheet 1 of 1   |

5

4

3

2

1