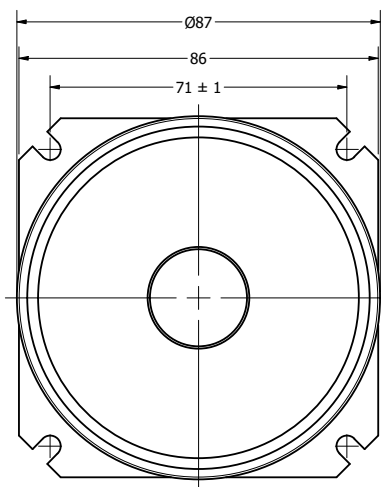
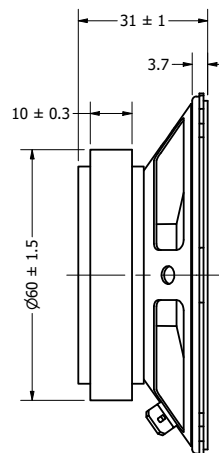


Part Number:	SW870508-2	
	DRAWN CJ	12/31/2018
Description:	Waterproof Speaker	
	CHECKED C.H.	1/7/2019
	APPROVED C.E.	1/7/2019
This document contains data proprietary to DB Unlimited. Any use or reproduction, in any form, without prior written permission of DB Unlimited is prohibited. All terms and conditions can be found at www.dbunlimitedco.com		

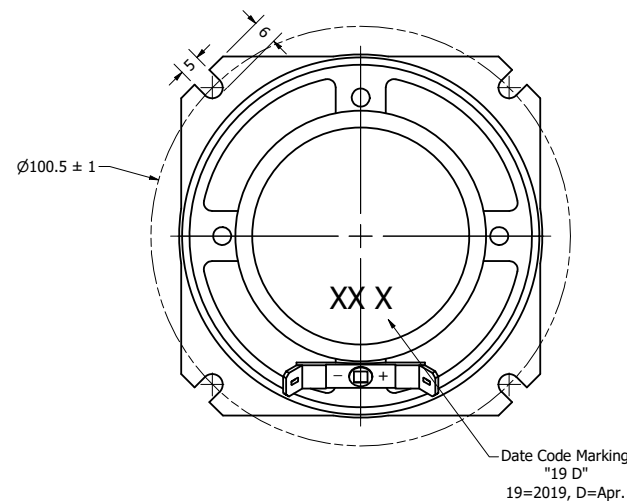
Top View



Side View



Bottom View



Items	Specifications	Conditions
Sound Pressure Level	103	dB (1W@10cm), Avg.
Resonant Frequency	500	Hz
Frequency Range	500 ~ 7,000	Hz
Nominal Power	10	W
Max. Power	16	W
Impedance	8	Ω
Cone Material	PET	
Mount Type	Frame Mount	
IP Rating	IP67	
Storage Temperature	-30 ~ +70	°C
Operating Temperature	-20 ~ +60	°C
Weight	240	g
Gasket Material	NBR5	
Gasket Durometer	70 shore A	
Gasket Temperature Range	-30 ~ +180	°C
Gasket Thickness	3.0	mm
Gasket Width	2.0	mm

REVISION HISTORY

REV	DESCRIPTION	DATE	APPROVED
	Released from Engineering	1/7/2019	C.E.
1	Standardized call-out text	8/7/2019	C.E.
2	Updated SPL distance	8/12/2019	C.E.
3	Updated drawing, SPL and added gasket info	8/28/2019	C.E.

NOTES

- 1) All dimensions are in mm unless otherwise noted
- 2) All tolerances are ± 0.5 mm unless otherwise noted
- 3) All parts meet RoHS
- 4) Subject to change or redrawn without notice