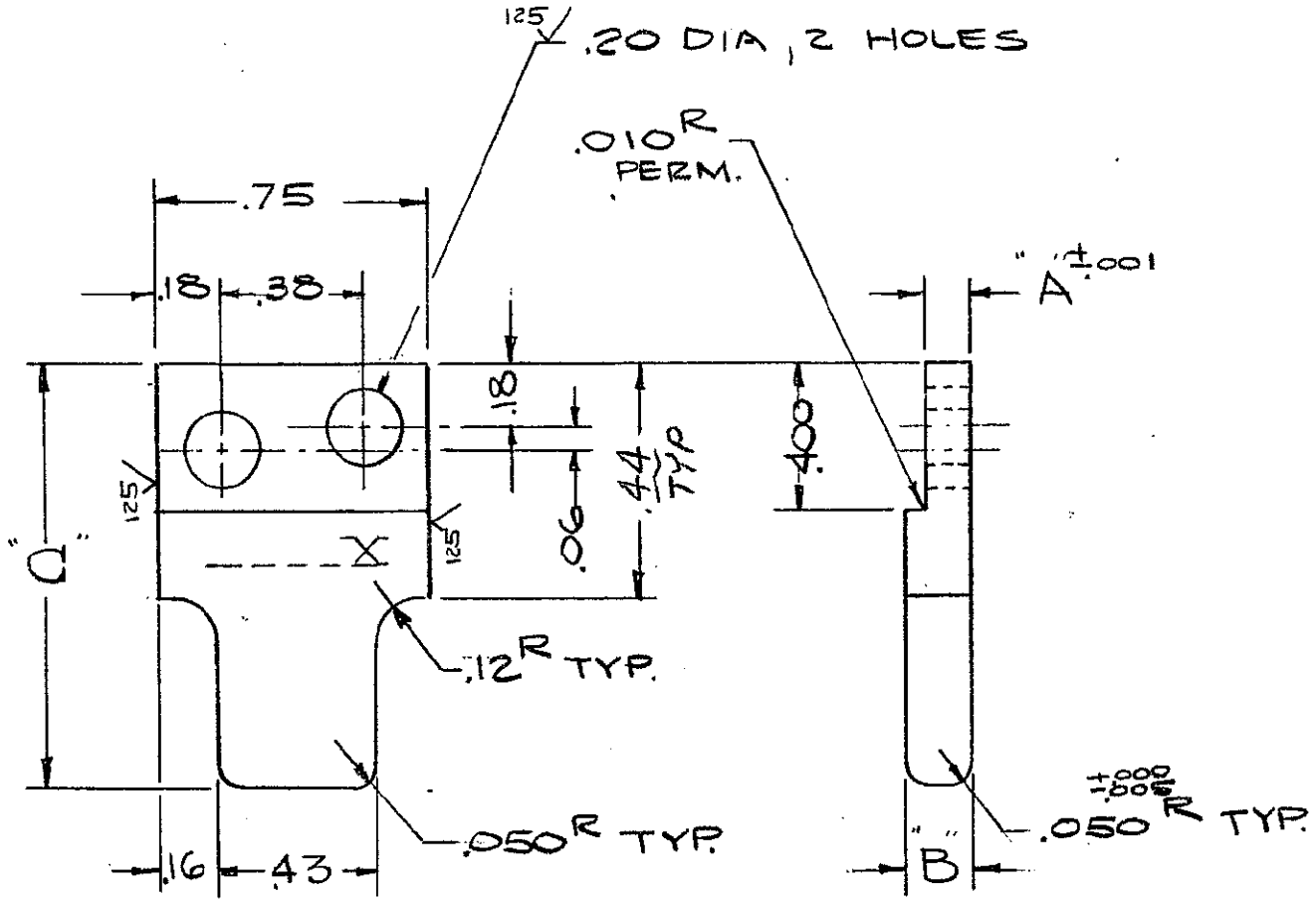
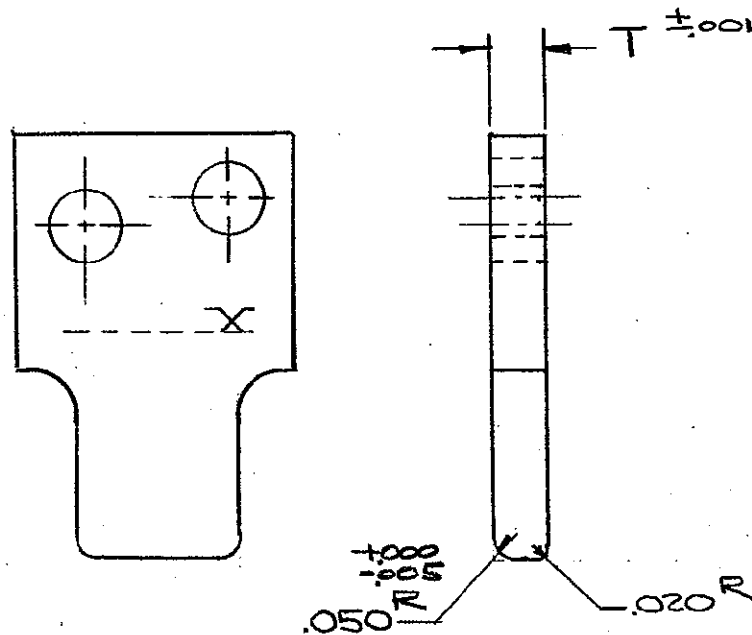


PART NO	REV	A	B	T	C	TYPE	TERM.	
<del>690639-1</del>	<del>E</del>	<del>.119</del>	<del>.300</del>	<del>#</del>	<del>1.140</del>	<del>I</del>	<del>41330</del>	OBSOLETE
690639-2	E	.087	.150	#	1.155	I	61343	
690639-3	E	#	#	.080	1.155	II	61343	
690639-4	E	#	#	.080	1.175	II	61343	
<del>690639-5</del>	<del>C</del>	<del>.273</del>	<del>.368</del>	<del>#</del>	<del>1.218</del>	<del>I</del>	<del>61557</del>	OBSOLETE
690639-6	E	.146	.230	#	1.207	I	62783	
690639-7	E	.146	.220	-	1.207	I	60548	
<del>690639-8</del>	<del>C</del>	<del>.241</del>	<del>.343</del>	<del>#</del>	<del>1.218</del>	<del>I</del>	<del>60770</del>	OBSOLETE
690639-9	E	.188	.217	-	1.218	I	60770	
<del>690639-10</del>	<del>C</del>	<del>#</del>	<del>#</del>	<del>.263</del>	<del>1.218</del>	<del>II</del>	<del>60625</del>	OBSOLETE
690639-1	E	.050	.159 .157	-	1.172	I	40811	

NOTES  
 1. APPLY PART NO. PER 115-67-1, 2, OR 3 IN AREA X  
 2. ALT MATL 100-99 TS H.T. 111-99-3 RC 60-62



TYPE I



TYPE II

THIS DRAWING IS A CONTROLLED DOCUMENT FOR AMP INC. IT IS SUBJECT TO CHANGE AND THE CONTROLLING ENGINEERING ORGANIZATION SHOULD BE CONTACTED FOR THE LATEST REVISION.

THIS INFORMATION IS CONFIDENTIAL AND IS DISCLOSED TO YOU ON CONDITION THAT NO FURTHER DISCLOSURE IS MADE BY YOU TO OTHER THAN AMP PERSONNEL WITHOUT WRITTEN AUTHORIZATION FROM AMP INCORPORATED, HARRISBURG, PA.

DIMENSIONS IN INCHES. DO NOT SCALE PRINT.

NUMBER  
690639

E1	0150-0308-00, Add -11	ROW	5-00	UNLESS OTHERWISE SPECIFIED	REMOVE BURRS, BREAK SHARP EDGES .015 R MAX	DECIMALS: .00 = ±.02, .000 = ±.005, .0000 = ±.0005	ANGLES: ±0° 30'	32J
E	0150-0159-00	CE	2-00	MATERIAL	100-15 2	DR 3-11-68	APP 4/1/68	
D2	015A-0052-09	WDP	2-99	HEAT TREAT	RC 60-62 2	CHK 3-12-68	REL 4-15-68	
D1	0150-8377-98	WDP	3-88	COATING OR PLATING	BLACKEN	AMP INCORPORATED	HARRISBURG, PENNA.	
D	0150-7047-86	WDP	7-88	TERMINAL TABLE	AMPOMATOR	LOC A	NO B	REV E1
C1	0BS-1-5-7 ECN A-281090	WDP	11-90	TYPE	E F	NAME BENDING TOOL MINI-APPLICATOR		
C	PER ECN A-255490	WDP	6-88	SCALE	2:1			
B3	ADD-9 # -10	WDP	11-89	LTR	REVISION RECORD			
B2	ADDED-8	#	7-88					
B1	ADDED-7	#	3-79					
B	REV -6	R	2-79					
AG	ADDED-6	WDP	6-78					
A5	ADD -5	WDP	7-78					
A4	ADDS -4	WDP	7-69					
A3	REDRAWN, ADDED TYPE II E1-3	L	3-1-68					