

# CZ-2-S-SS [1.4418] (xxx)

iButton reader/probe

## Overview:

- Can read any Maxim DS19xx iButton F3/F5 size, using 1-wire® interface
- Reader with built-in bi-color LED
- Standard wire length - 40 cm
- All metal parts (except nuts) are from stainless steel
- M20x1 thread (Ø 20 mm)



## Description:

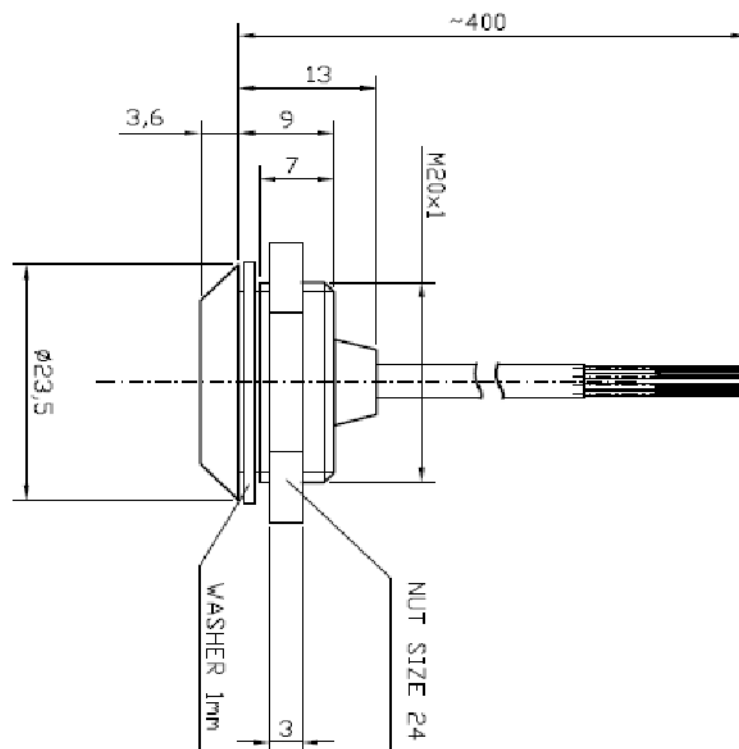
The CZ-2-S-SS reader provides an electrical contact needed to transfer of data to/from iButtons (DS19xx family).

Round shape and metal casing with M20x1 thread allows to easily mount it in wide range of application (such access control devices, automotive, industry etc.) providing aesthetic appearance, also.

Reader has tinned cable ends in standard version (wire length can be customized from 10 cm up to 10 m).

There is an opportunity to use indicating LED's according to individual requirements (customize version to common anode system or built-in resistors with requested value, into the header of reader).

## Mechanical drawings:



## Electrical connection:

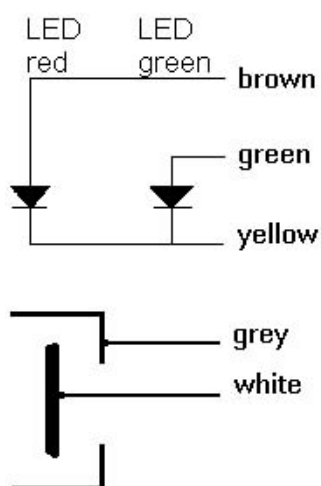
CZ-2-S-SS reader provides standard 1-wire® interface for connecting to other electronic devices, as following:

- white wire – iButton 1-wire® signal (see [electrical characteristics of DS1990A iButton](#))
- grey wire – iButton grounding

And connection for two built-in LED's with common cathode:

- brown wire – red LED anode
- green wire – green LED anode
- yellow wire – LED's common cathode (see [electrical characteristics of Kingbright LED -](#) )

Connection diagram for CZ-2-S-SS reader:



**Important:** Providing power source value higher than maximum value of  $V_F$  voltage (2,5 V for  $I_F = 20$  mA) specified for LED is not recommended. If required – use the appropriate resistors for each type of LED.

