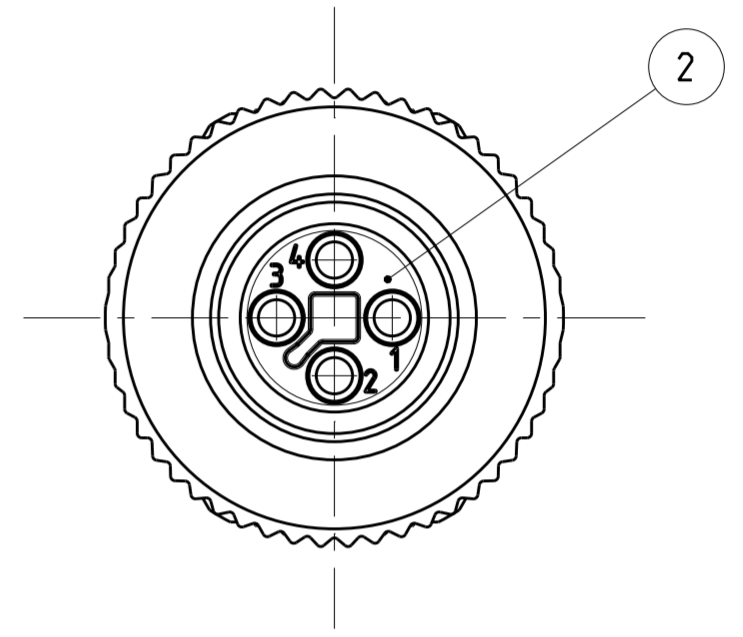
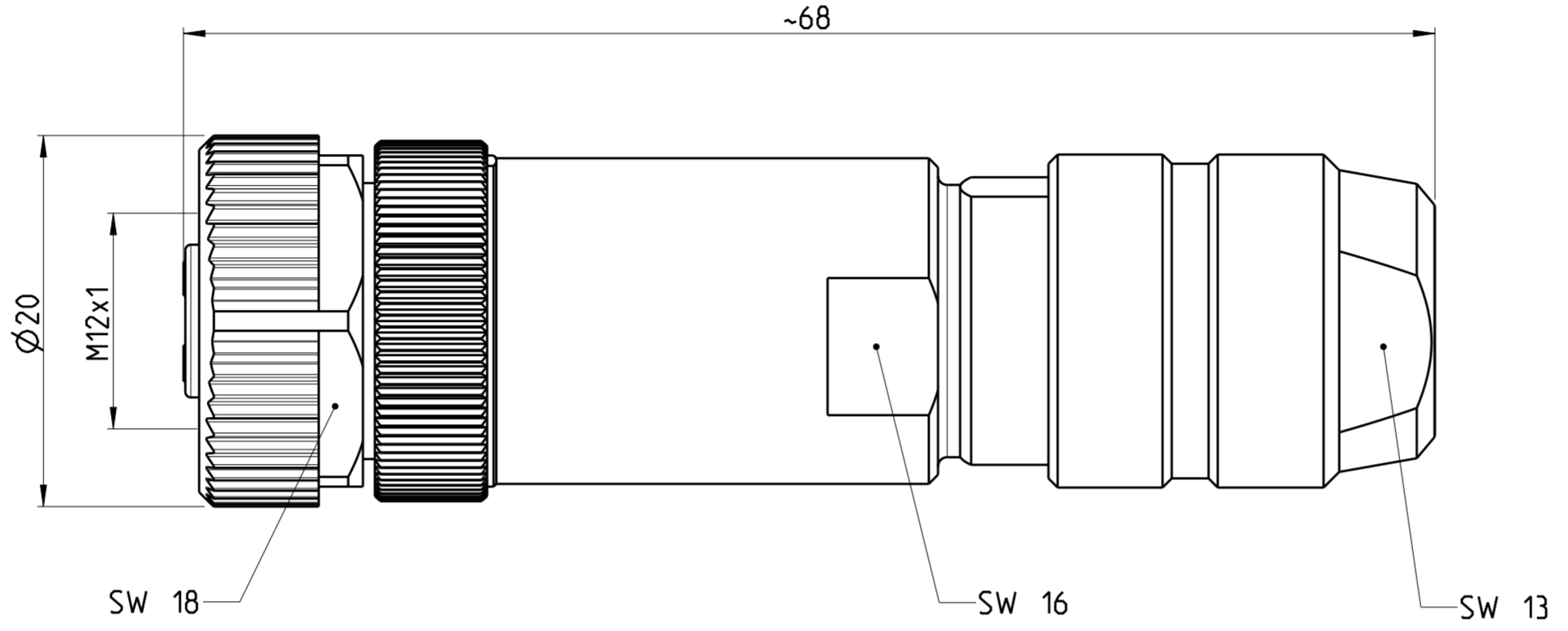


PROJEKT NR.:			REVISIONS		
P	LTR	DESCRIPTION	DATE	DWN	APVD
	A	NEW DRAWING	13OCT2014	TJ	PS

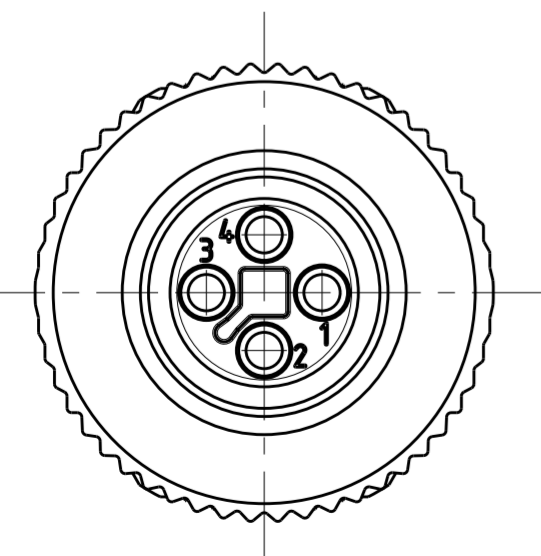
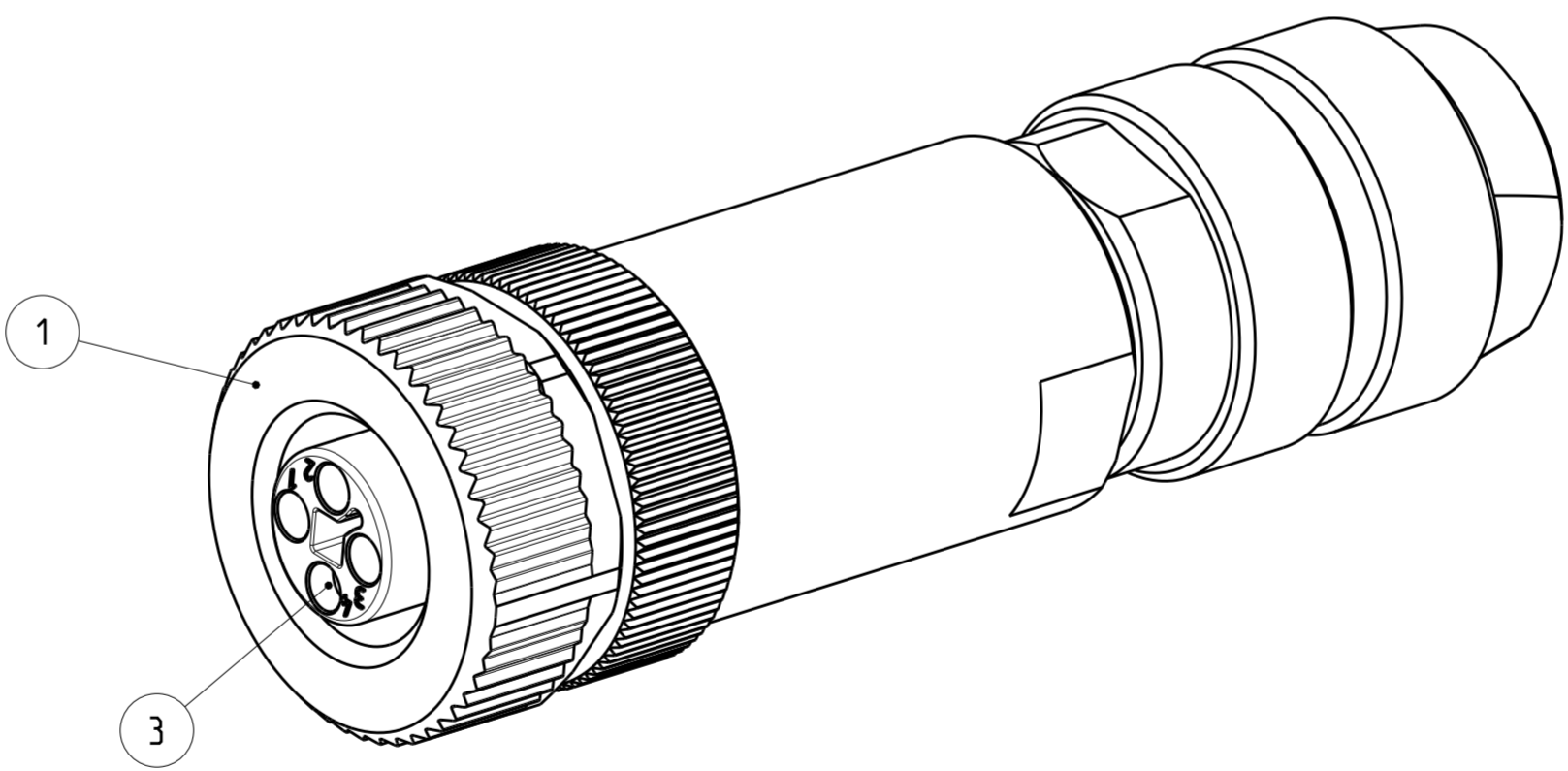
- 1 MATERIAL: ITEM NO. 1: HOUSING - PA
 ITEM NO. 2: CONTACT BODY - PA
 ITEM NO. 3: CONTACT - CuSn (BRONZE)
 CONTACT FINISH - Au (GOLD)

- 2 ALL DIMENSIONS ARE FOR NOMINAL REFERENCE ONLY UNLESS OTHERWISE STATED
 3 MEASUREMENT REFERENCE ONLY
 4 PACKAGING: 1 PIECE IN A BAG

TECHNICAL DATA	3-2172097-2
RATED VOLTAGE	60V
RATED IMPULSE VOLTAGE	1500V
POLLUTION DEGREE	3
OVERVOLTAGE CATEGORY	III
MATERIAL GROUP	III
RATED CURRENT	12A
VOLUME RESISTIVITY	≤ 3mΩ
DEGREE OF PROTECTION	IP67
UPPER TEMPERATURE	+85 °C
LOWER TEMPERATURE	-40 °C



PIN ARRANGEMENT
T-CODING
3-2172097-2



Ø5-8	16 / 1.50	⚠	4	3-2172097-2
CABLE FEED-THROUGH mm	WIRES AWG / mm ²	MATERIAL	NUMBER OF POLES	TE-PART-NO.

DIESE ZEICHNUNG IST EIN KONTROLLIERTES DOKUMENT.
BEMASSUNGEN UND TOLERANZEN GEMAESS GPS (ISO STANDARDS).

THIS DRAWING IS A CONTROLLED DOCUMENT.
DIMENSIONING AND TOLERANCING PER GPS (ISO STANDARDS).

DIMENSIONS: MASSEINHEITEN: [mm]	TOLERANCES UNLESS OTHERWISE SPECIFIED: ALLGEMEINTOLERANZEN	DWN CHIRASHREE 13OCT2014	TE Connectivity
		CHK THAJUDEEN 13OCT2014	
		APVD PRASHANTH 13OCT2014	
		NAME M12 PLUG, FEMALE, STRAIGHT, SHIELDED, FIELD INSTALLABLE, T-CODED	
		PRODUCT SPEC 108-19483	SIZE A2
		APPLICATION SPEC 114-32127	CAGE CODE 00779
		WEIGHT -	DRAWING NO. C-2172097
MATERIAL SEE NOTES	FINISH/OBERFLAECHE/FARBE SEE NOTES	Customer Drawing	RESTRICTED TO NUR FÜR -
		SCALE MASSSTAB 3:1	SHEET BLATT 1 OF 1
			REV A

SIZE ISO 14405 ⓔ