



		TABLE 1						
PART NUMBER	BODY	SPACER BODY	POWER TERMINAL SUB-ASSEMBLY	SIGNAL TERMINAL				"A"
				TERMINAL 1	TERMINAL 2	TERMINAL 3	TERMINAL 4	
MPTC-XX-XX-XX-01-01-X-RA-XX	MPT-XX-RA-XX-XX	MP-XX-Q	SUB-T-1M40-01-X	T-1S68-01-L	T-1S68-02-L	T-1S68-03-L	T-1S68-04-L	2.72 [0.107]
MPTC-XX-XX-XX-01-03-X-RA-XX			SUB-T-1M40-03-X	T-1S68-03-L	T-1S68-03-L	T-1S68-11-L	T-1S68-11-L	3.51 [0.138]

TABLE 2									
PART NUMBER	BODY	"B"	"C"	"D"	"E"	"F"	"G"	"H"	"J"
MPTC-01-80-01-01-XX-X-RA-XX	MPT-02-RA-80-XX	63.25 [2.490]	58.17 [2.290]	46.88 [1.846]	48.77 [1.920]	54.26 [2.136]	38.00 [1.496]	59.44 [2.340]	41.40 [1.630]
MPTC-02-80-02-01-XX-X-RA-XX	MPT-04-RA-80-XX	73.25 [2.884]	68.17 [2.684]	56.88 [2.239]	58.77 [2.314]	64.26 [2.530]	38.00 [1.496]	69.44 [2.734]	41.40 [1.630]
MPTC-01-24-01-01-XX-X-RA-XX	MPT-02-RA-24-XX	35.25 [1.388]	30.17 [1.188]	18.88 [0.743]	20.77 [0.818]	26.26 [1.034]	10.00 [0.394]	31.44 [1.238]	13.40 [0.528]
MPTC-02-24-02-01-XX-X-RA-XX	MPT-04-RA-24-XX	45.25 [1.781]	40.17 [1.581]	28.88 [1.137]	30.77 [1.211]	36.26 [1.428]	10.00 [0.394]	41.44 [1.631]	13.40 [0.528]
MPTC-02-16-02-01-XX-X-RA-XX	MPT-04-RA-16-XX	41.25 [1.624]	36.17 [1.424]	24.88 [0.980]	26.77 [1.054]	32.26 [1.270]	6.00 [0.236]	37.44 [1.474]	9.40 [0.370]
MPTC-01-16-01-01-XX-X-RA-XX	MPT-02-RA-16-XX	31.25 [1.230]	26.17 [1.030]	14.88 [0.586]	16.77 [0.660]	22.26 [0.876]	6.00 [0.236]	27.44 [1.080]	9.40 [0.370]
***MPTC-01-08-01-01-XX-X-RA-XX	MPT-02-RA-08-XX	27.25 [1.073]	22.17 [0.873]	10.88 [0.428]	12.77 [0.503]	18.26 [0.719]	2.00 [0.079]	23.44 [0.923]	5.40 [0.213]
MPTC-01-04-01-01-XX-X-RA-XX	MPT-02-RA-04-XX	25.25 [0.994]	20.17 [0.794]	8.88 [0.350]	10.77 [0.424]	16.26 [0.640]	N/A	21.44 [0.844]	3.40 [0.134]
***MPTC-03-24-00-01-XX-X-RA-XX	MPT-03-RA-24-XX-PS	41.25 [1.624]	36.17 [1.424]	N/A	N/A	32.26 [1.270]	10.00 [0.394]	37.44 [1.474]	13.40 [0.528]
***MPTC-04-24-00-01-XX-X-RA-XX	MPT-04-RA-24-XX-PS	46.25 [1.821]	41.17 [1.621]	N/A	N/A	37.26 [1.467]	10.00 [0.394]	42.44 [1.671]	13.40 [0.528]
***MPTC-03-20-00-01-XX-X-RA-XX	MPT-03-RA-20-XX-PS	39.25 [1.545]	34.17 [1.345]	N/A	N/A	30.26 [1.191]	8.00 [0.315]	35.44 [1.395]	11.40 [0.449]
***MPTC-04-20-00-01-XX-X-RA-XX	MPT-04-RA-20-XX-PS	44.25 [1.742]	39.17 [1.542]	N/A	N/A	35.26 [1.388]	8.00 [0.315]	40.44 [1.592]	11.40 [0.449]
***MPTC-03-16-00-01-XX-X-RA-XX	MPT-03-RA-16-XX-PS	37.25 [1.467]	32.17 [1.267]	N/A	N/A	28.26 [1.113]	6.00 [0.236]	33.44 [1.317]	9.40 [0.370]
***MPTC-04-16-00-01-XX-X-RA-XX	MPT-04-RA-16-XX-PS	42.25 [1.663]	37.17 [1.463]	N/A	N/A	33.26 [1.309]	6.00 [0.236]	38.44 [1.513]	9.40 [0.370]
***MPTC-03-12-00-01-XX-X-RA-XX	MPT-03-RA-12-XX-PS	35.25 [1.388]	30.17 [1.188]	N/A	N/A	26.26 [1.034]	4.00 [0.157]	31.44 [1.238]	7.40 [0.291]
***MPTC-04-12-00-01-XX-X-RA-XX	MPT-04-RA-12-XX-PS	40.25 [1.585]	35.17 [1.385]	N/A	N/A	31.26 [1.231]	4.00 [0.157]	36.44 [1.435]	7.40 [0.291]

\*\*\* = NOT RELEASED

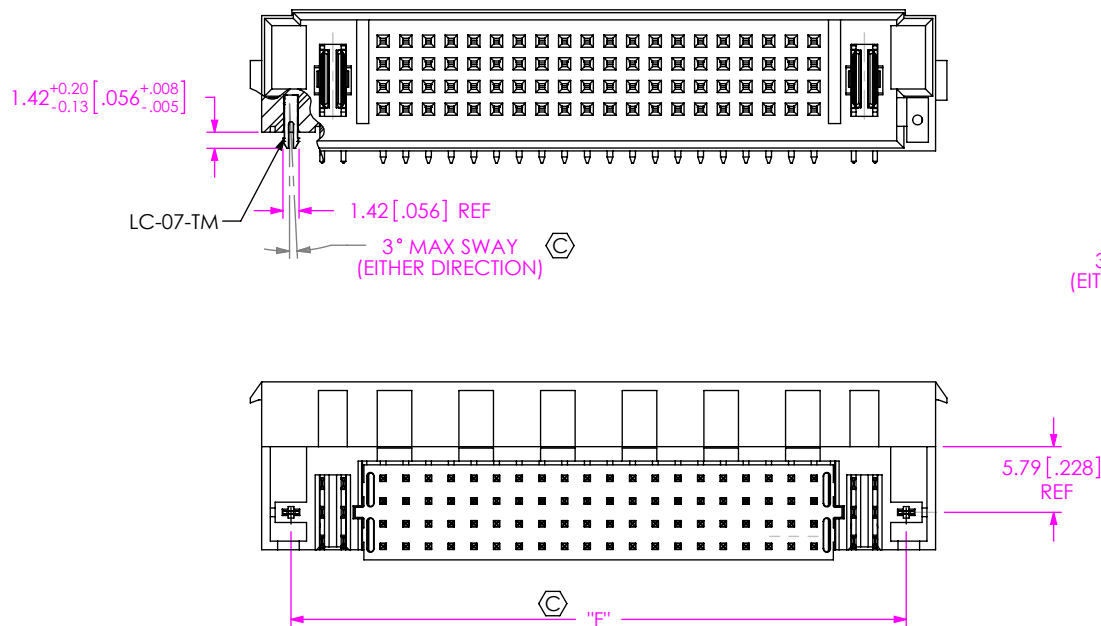
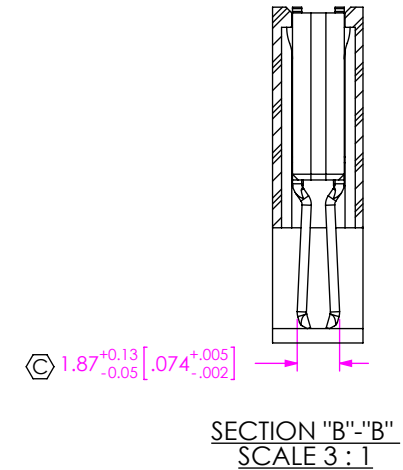
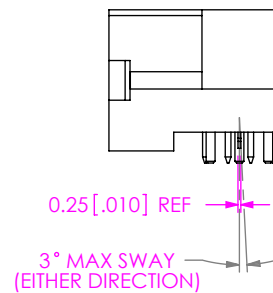


FIG 2  
MPTC-01-80-01-01-XX-X-RA-LC SHOWN  
(SAME AS FIG 1, UNLESS OTHERWISE STATED)

F:\DWG\MISC\MKTG\MPTC-XX-XX-XX-01-XX-X-RA-XX-MKT.SLDDRW



PROPRIETARY NOTE  
THIS DOCUMENT CONTAINS CONFIDENTIAL AND PROPRIETARY INFORMATION AND ALL DESIGN, MANUFACTURING, REPRODUCTION, USE, PATENT RIGHTS AND SALES RIGHTS ARE EXPRESSLY RESERVED BY SAMTEC, INC. THIS DOCUMENT SHALL NOT BE DISCLOSED, IN WHOLE OR PART, TO ANY UNAUTHORIZED PERSON OR ENTITY NOR REPRODUCED, TRANSFERRED OR INCORPORATED IN ANY OTHER PROJECT IN ANY MANNER WITHOUT THE EXPRESS WRITTEN CONSENT OF SAMTEC, INC.

DO NOT SCALE DRAWING  
SHEET SCALE: 1.5:1

**samtec**  
520 PARK EAST BLVD. NEW ALBANY, IN 47150  
PHONE: 812-944-6733 FAX: 812-948-5047  
e-Mail info@SAMTEC.com code 55322

DESCRIPTION:  
RIGHT ANGLE POWER TERMINAL

DWG. NO.  
MPTC-XX-XX-XX-01-XX-X-RA-XX

BY: CLAY W 2/2/2007 SHEET 2 OF 4

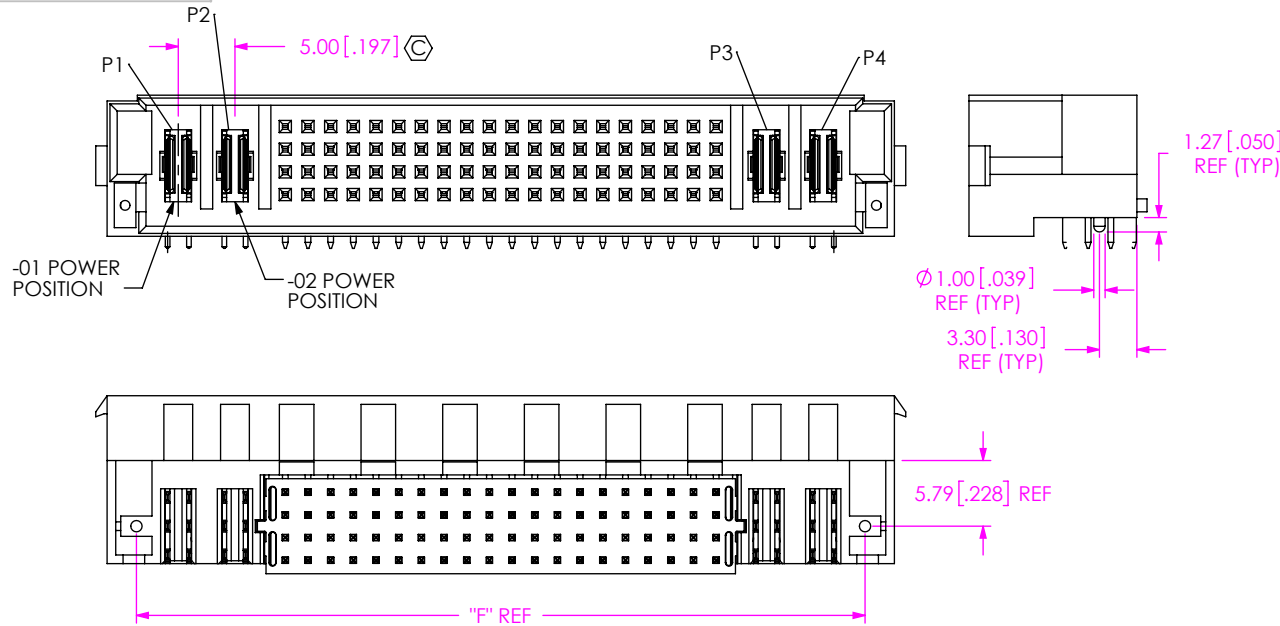


FIG 3  
MPTC-02-80-02-01-XX-X-RA SHOWN  
(SAME AS FIG 1, UNLESS OTHERWISE STATED)  
(SEE NOTE 6)

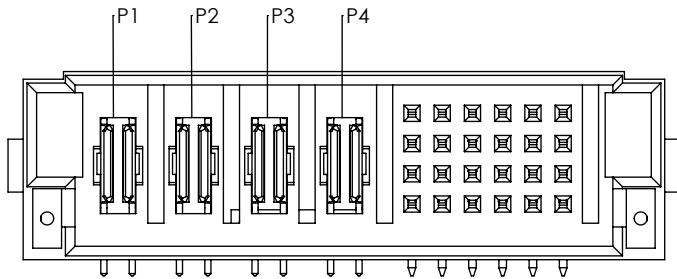
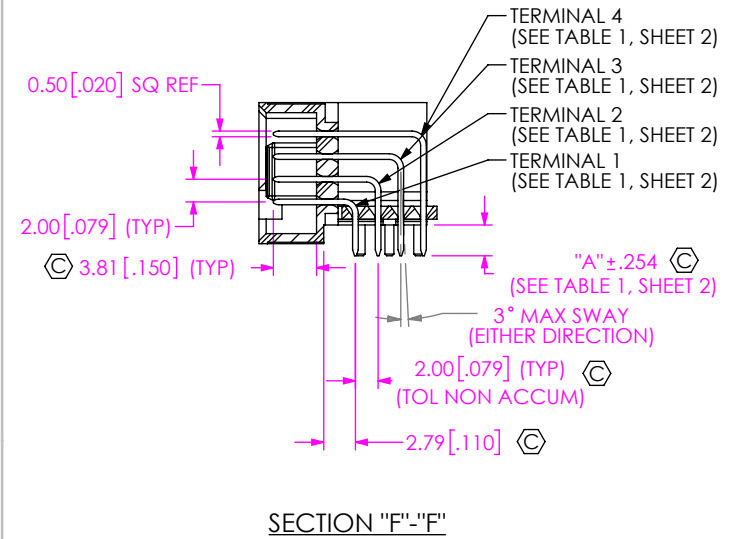


FIG 5  
\*\*\*MPTC-04-24-00-01-XX-X-RA-LC SHOWN  
(SAME AS FIG 2, UNLESS OTHERWISE STATED)  
\*\*\* NOT RELEASED

**PROPRIETARY NOTE**  
THIS DOCUMENT CONTAINS CONFIDENTIAL AND PROPRIETARY INFORMATION AND ALL DESIGN, MANUFACTURING, REPRODUCTION, USE, PATENT RIGHTS AND SALES RIGHTS ARE EXPRESSLY RESERVED BY SAMTEC, INC. THIS DOCUMENT SHALL NOT BE DISCLOSED, IN WHOLE OR PART, TO ANY UNAUTHORIZED PERSON OR ENTITY NOR REPRODUCED, TRANSFERRED OR INCORPORATED IN ANY OTHER PROJECT IN ANY MANNER WITHOUT THE EXPRESS WRITTEN CONSENT OF SAMTEC, INC.

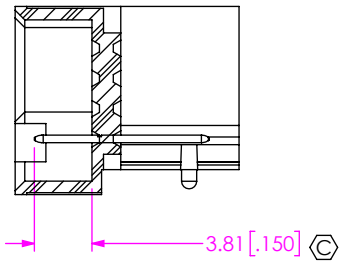
DO NOT SCALE DRAWING

SHEET SCALE: 1.5:1

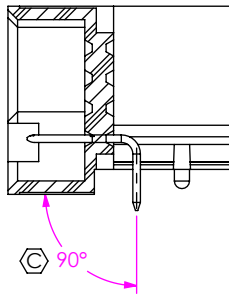


520 PARK EAST BLVD, NEW ALBANY, IN 47150  
PHONE: 812-944-6733 FAX: 812-948-5047  
e-Mail info@SAMTEC.com code 55322

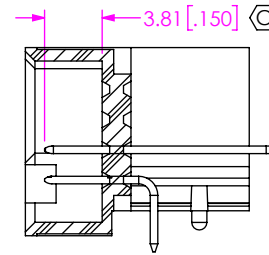
DESCRIPTION:	RIGHT ANGLE POWER TERMINAL
DWG. NO.	MPTC-XX-XX-XX-01-XX-X-RA-XX
BY:	CLAY W 2/2/2007 SHEET 3 OF 4



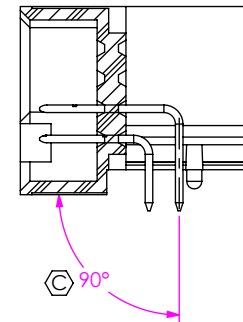
**IN-PROCESS 1**  
FILL T-1S68-XX-X ROW 2



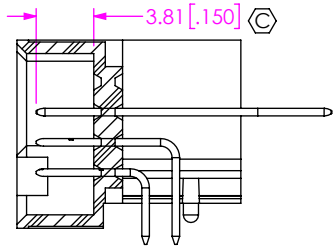
**IN-PROCESS 2**  
BEND ROW 1



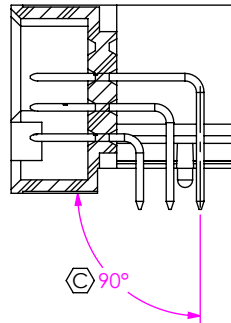
**IN-PROCESS 3**  
FILL T-1S68-XX-X ROW 2



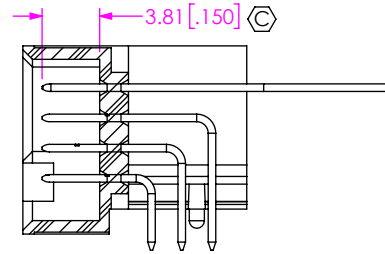
**IN-PROCESS 4**  
BEND ROW 2



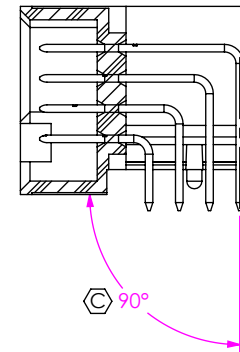
**IN-PROCESS 5**  
FILL T-1S68-XX-X ROW 3



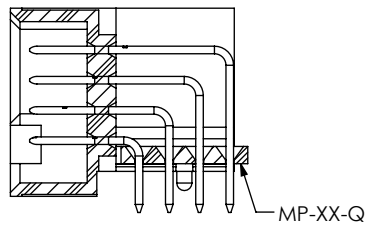
**IN-PROCESS 6**  
BEND ROW 3



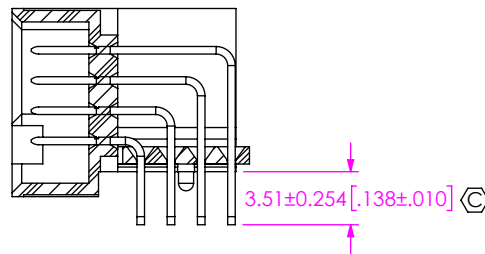
**IN-PROCESS 7**  
FILL T-1S68-XX-X ROW 4



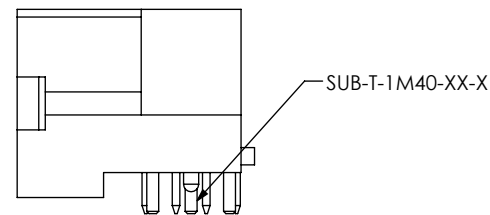
**IN-PROCESS 8**  
BEND ROW 4



**IN-PROCESS 9**  
ADD MP-XX-Q



**IN-PROCESS 10**  
SHEAR  
(FOR -03 TAIL LENGTH ONLY)



**IN-PROCESS 11**  
FILL SUB-T-1M40-XX-X

**PROPRIETARY NOTE**  
THIS DOCUMENT CONTAINS CONFIDENTIAL AND PROPRIETARY INFORMATION AND ALL DESIGN, MANUFACTURING, REPRODUCTION, USE, PATENT RIGHTS AND SALES RIGHTS ARE EXPRESSLY RESERVED BY SAMTEC, INC. THIS DOCUMENT SHALL NOT BE DISCLOSED, IN WHOLE OR PART, TO ANY UNAUTHORIZED PERSON OR ENTITY NOR REPRODUCED, TRANSFERRED OR INCORPORATED IN ANY OTHER PROJECT IN ANY MANNER WITHOUT THE EXPRESS WRITTEN CONSENT OF SAMTEC, INC.

DO NOT SCALE DRAWING

SHEET SCALE: 1.5:1

**samtec**

520 PARK EAST BLVD, NEW ALBANY, IN 47150  
PHONE: 812-944-6733 FAX: 812-948-5047  
e-Mail info@SAMTEC.com code 55322

DESCRIPTION:  
RIGHT ANGLE POWER TERMINAL

DWG. NO.  
MPTC-XX-XX-XX-01-XX-X-RA-XX

BY: CLAY W 2/2/2007 SHEET 4 OF 4